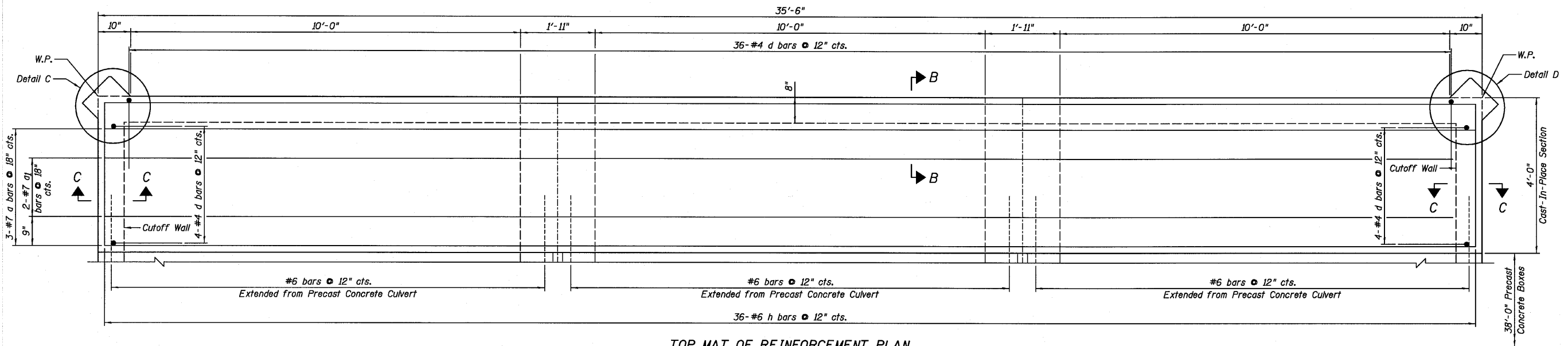
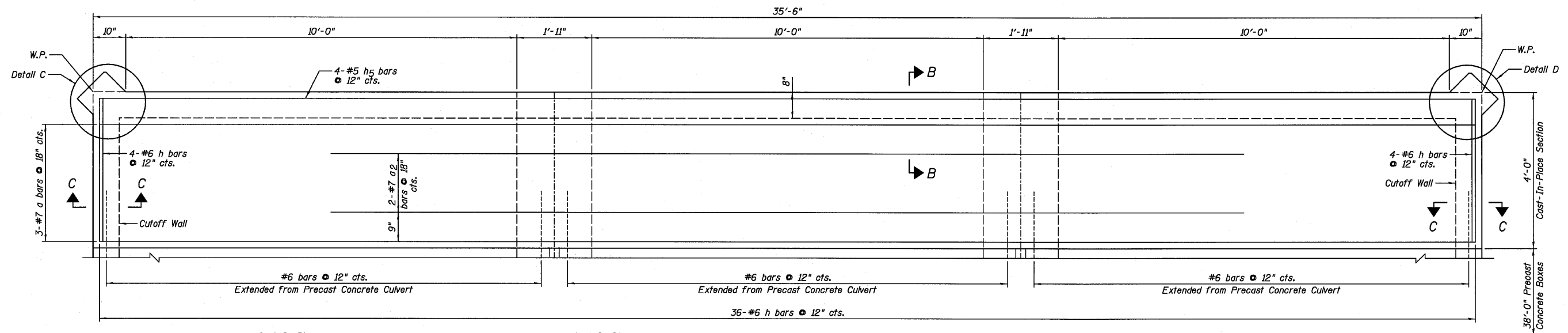


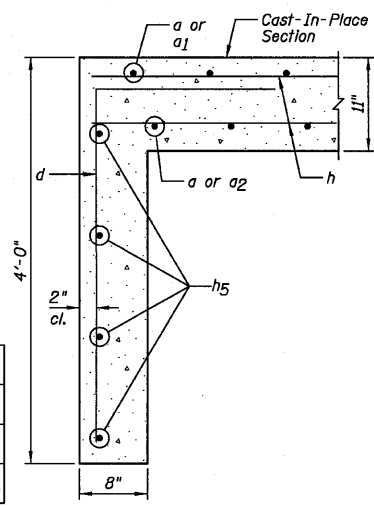
STATE OF ILLINOIS
DEPARTMENT OF TRANSPORTATION



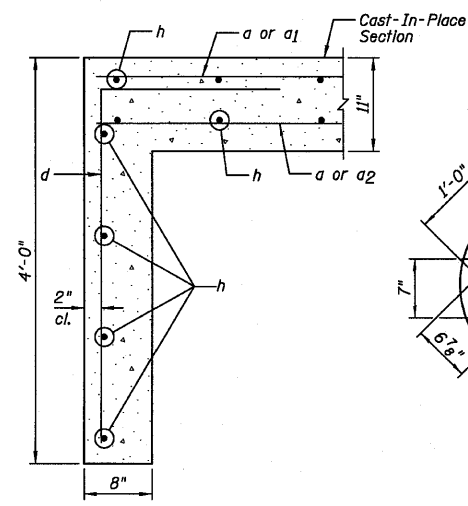
TOP MAT OF REINFORCEMENT PLAN



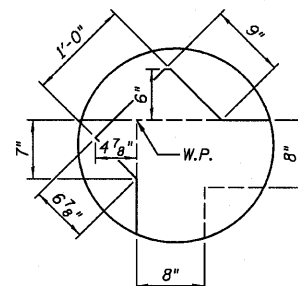
BOTTOM MAT OF REINFORCEMENT PLAN



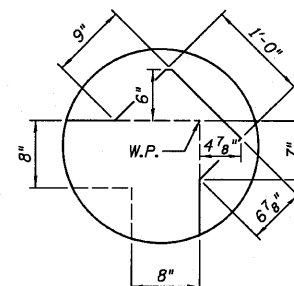
SECTION B-B



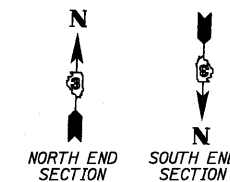
SECTION C-C



DETAIL C



DETAIL D



NOTES:

- 1.) For Bill of Material, see Sheet B4.
- 2.) W.P. denotes Working Point.

CAST-IN-PLACE BOTTOM
SLAB PLAN AND SECTIONS
STRUCTURE NO. 027-2018

DESIGNED	SDH
CHECKED	JML
DRAWN	JWK/DJM
CHECKED	MSW

DATE 08/04/10

Farnsworth
GROUP, INC.
2709 McGraw Drive
Bloomington, Illinois 61704
309/663-8435, 309/663-1571 fax

SHEET NO. B6
8 SHEETS

F.A.P. RTE.	SECTION	COUNTY	TOTAL SHEETS	SHEET NO.
681	*	FORD/IROQUOIS	146	53
FED. ROAD DIST. NO.		ILLINOIS FED. AID PROJECT		
		CONTRACT NO. 66880		

* 116 BR/L116 BR, (BR-2)BR, I & BR-3J

24-8271