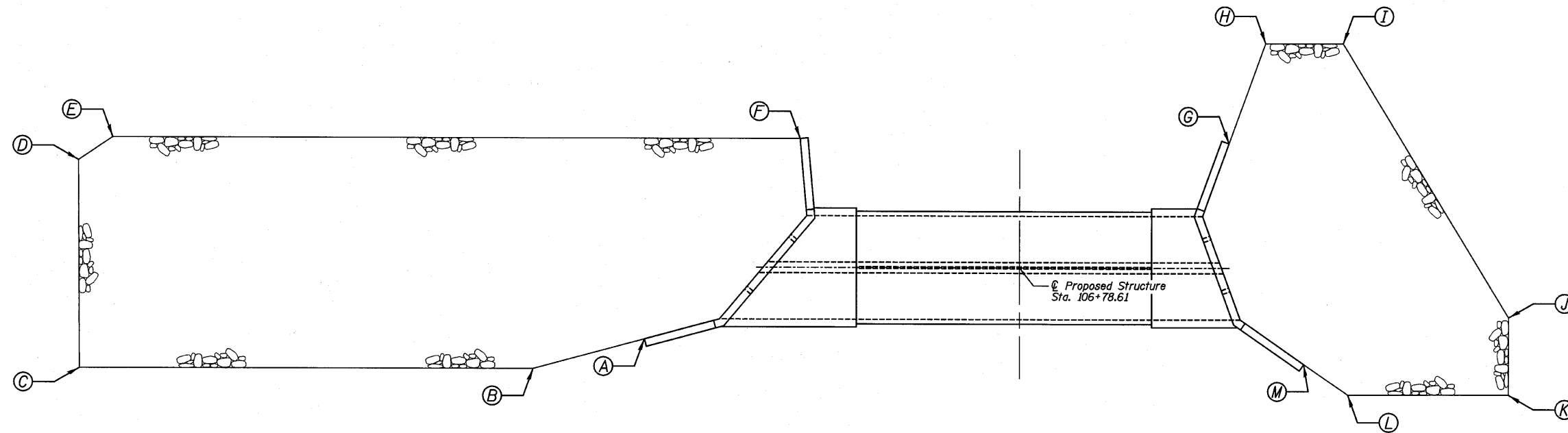


STATE OF ILLINOIS
DEPARTMENT OF TRANSPORTATION



STONE RIPRAP LAYOUT PLAN

STONE RIPRAP LOCATION

Location	Station	Offset
A	106+69	48' LT.
B	106+65	63' LT.
C	106+65	121' LT.
D	106+92	121' LT.
E	106+95	117' LT.
F	106+95	28' LT.
G	106+95	27' RT.
H	107+08	32' RT.
I	107+08	42' RT.
J	106+72	63' RT.
K	106+62	63' RT.
L	106+62	42' RT.
M	106+66	37' RT.

Note: Stations and offsets for the Stone Riprap, Class A4 are from the roadway ϕ .

DESIGNED	SDH
CHECKED	JML
DRAWN	JWK/DJM
CHECKED	MSW

DATE 08/04/10

STONE RIPRAP LAYOUT PLAN
STRUCTURE NO. 027-2553

Farnsworth GROUP, INC. 2709 McGraw Drive Bloomington, Illinois 61704 309/663-8435, 309/663-1571 fax	SHEET NO. C2	F.A.P. RTE.	SECTION	COUNTY	TOTAL SHEETS	SHEET NO.
	12 SHEETS	681	*	FORD/IROQUOIS	146	57
		FED. ROAD DIST. NO.		ILLINOIS FED. AID PROJECT		
				CONTRACT NO. 66880		

* 116 BR/[116 BR, (BR-2)BR, I & BR-3]

24-8271