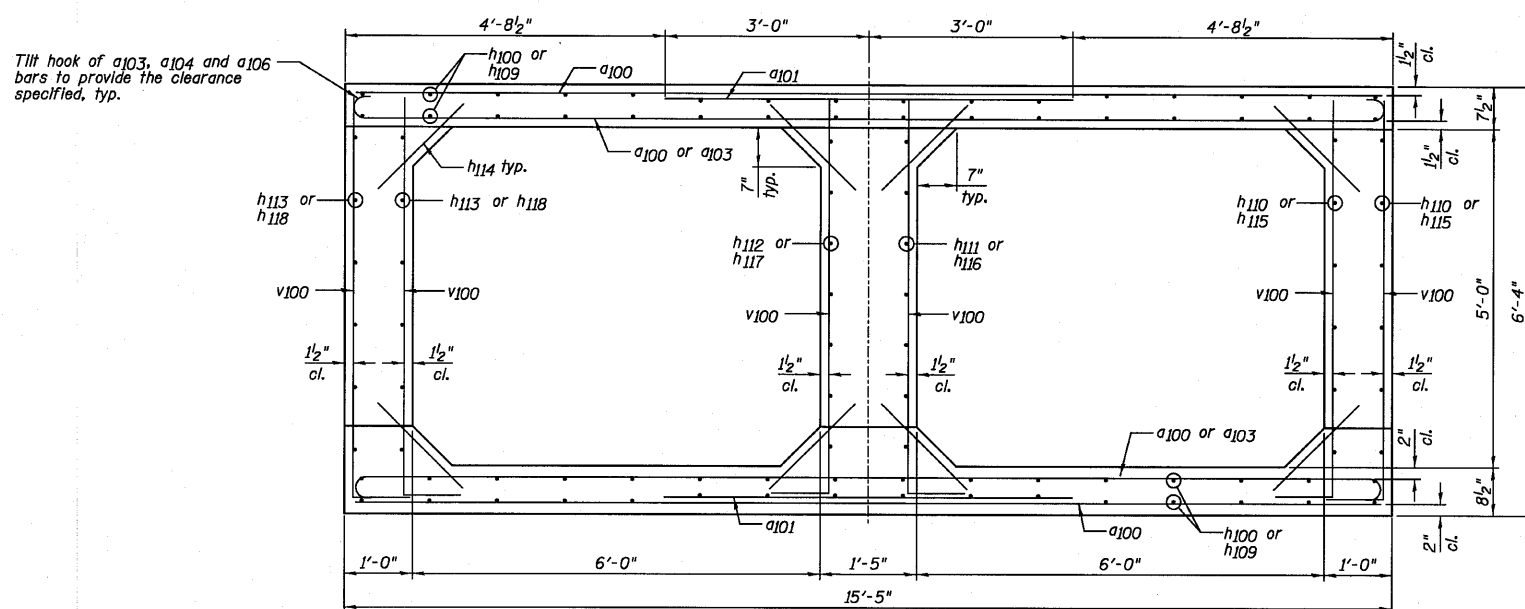
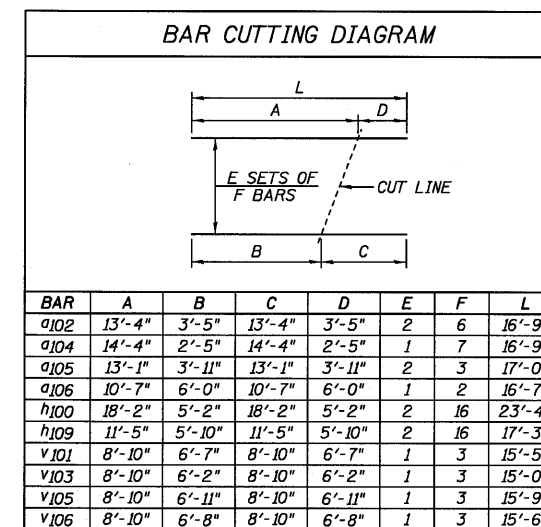


STATE OF ILLINOIS
DEPARTMENT OF TRANSPORTATION



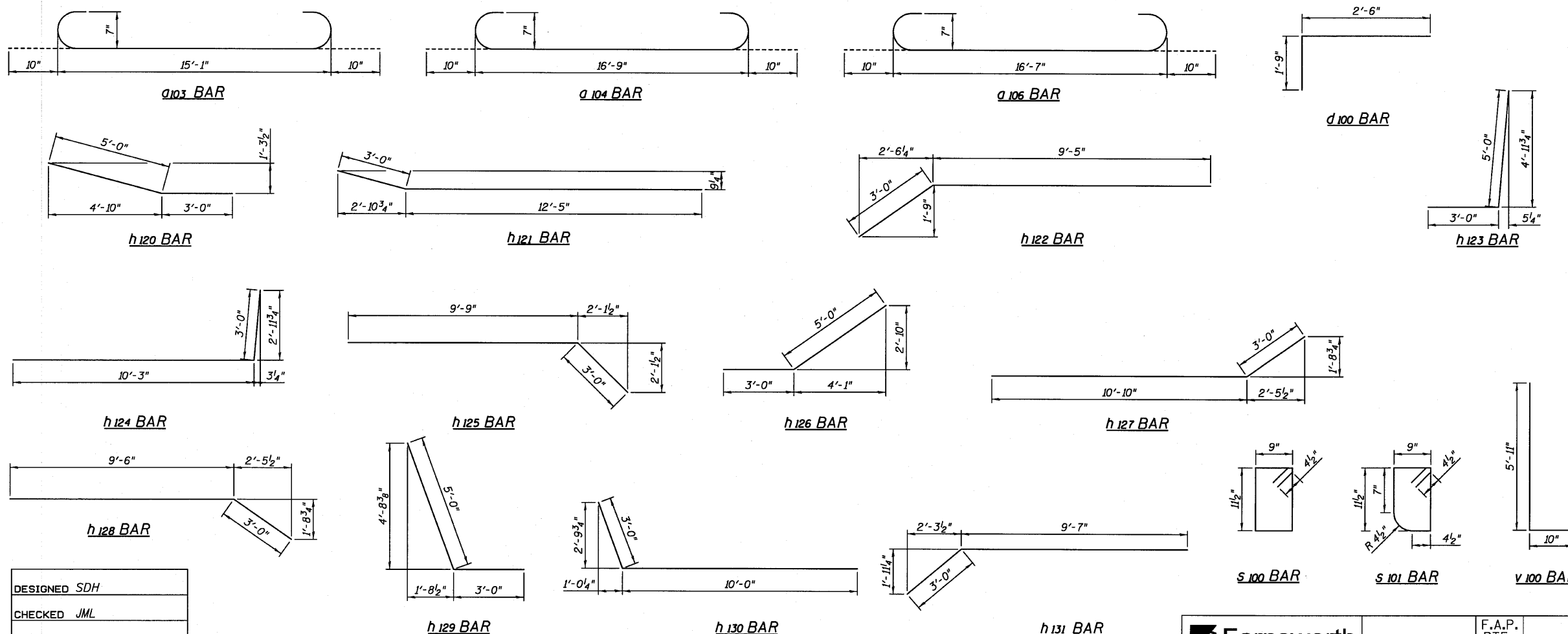
SECTION THRU CAST-IN-PLACE CONCRETE BARREL
(Looking North)



Note: "L" dimension does not take into account the hook length for the hooked bar a104 and a106.

BILL OF MATERIAL

Bar	No.	Size	Length	Shape
a100	32	#7	15'-1"	---
a102	22	#7	6'-0"	---
a103	12	#7	16'-9"	---
a104	14	#7	16'-9"	(C)
a105	7	#7	18'-5"	(C)
a106	6	#7	17'-0"	---
a106	2	#7	18'-3"	(C)
d100	78	#4	4'-3"	---
h100	32	#5	23'-4"	---
h101	4	#6	18'-0"	---
h102	3	#5	5'-2"	---
h103	3	#5	18'-2"	---
h104	4	#5	19'-9"	---
h105	4	#6	15'-0"	---
h106	4	#5	16'-2"	---
h107	3	#5	11'-5"	---
h108	3	#5	5'-10"	---
h109	32	#5	17'-3"	---
h110	12	#5	5'-4"	---
h111	7	#5	11'-1"	---
h112	7	#5	12'-1"	---
h113	12	#5	17'-5"	---
h114	204	#4	1'-9"	---
h115	12	#5	5'-11"	---
h116	7	#5	8'-5"	---
h117	7	#5	8'-10"	---
h118	12	#5	11'-2"	---
h119	16	#5	9'-8"	---
h120	6	#5	8'-0"	---
h121	6	#5	15'-5"	---
h122	5	#5	12'-5"	---
h123	6	#5	8'-0"	---
h124	6	#5	13'-3"	---
h125	5	#5	12'-9"	---
h126	7	#5	8'-0"	---
h127	7	#5	13'-10"	---
h128	5	#5	12'-6"	---
h129	6	#5	8'-0"	---
h130	6	#5	13'-0"	---
h131	5	#5	12'-7"	---
s100	16	#4	4'-2"	---
s101	19	#4	4'-0"	---
v100	146	#5	6'-9"	---
v101	3	#4	15'-5"	---
v102	3	#4	8'-3"	---
v103	3	#4	15'-0"	---
v104	9	#4	8'-9"	---
v105	3	#4	15'-9"	---
v106	3	#4	15'-6"	---
Item	Unit	Quantity		
Reinforcement Bars	Pound	8,090		
Concrete Box Culverts	Cu. Yd.	47.7		



DESIGNED	SDH
CHECKED	JML
DRAWN	JWK/DJM
CHECKED	MSW

DATE 08/04/10

Farnsworth
GROUP, INC.
2709 McGraw Drive
Bloomington, Illinois 61704
309/663-8435, 309/663-1571 fax

SHEET NO. C5
12 SHEETS

F.A.P. RTE.	SECTION	COUNTY	TOTAL SHEETS	SHEET NO.
681	*	FORD/IROQUOIS	146	60
FED. ROAD DIST. NO.		ILLINOIS	FED. AID PROJECT	
		CONTRACT NO. 66880		

CAST-IN-PLACE
CONCRETE CULVERT
SECTION, DETAILS AND
BILL OF MATERIAL
STRUCTURE NO. 027-2553