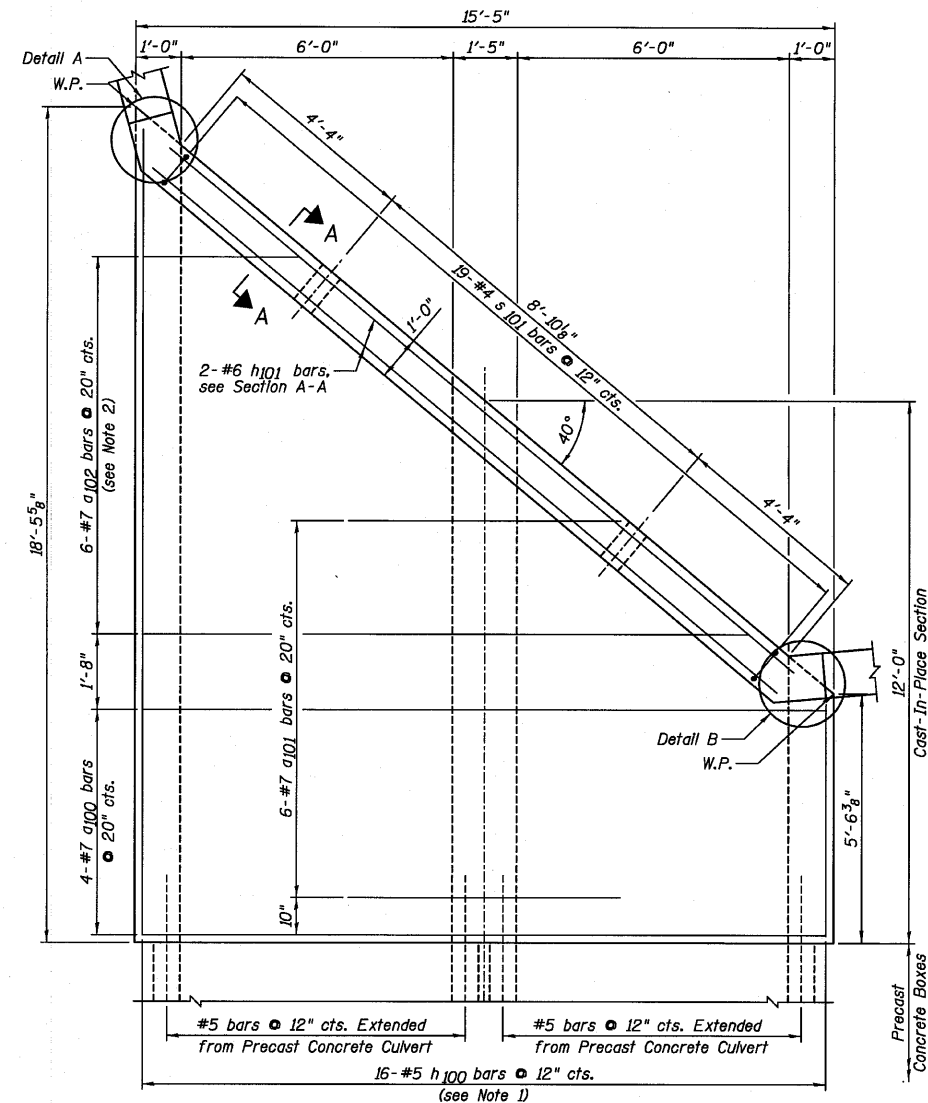
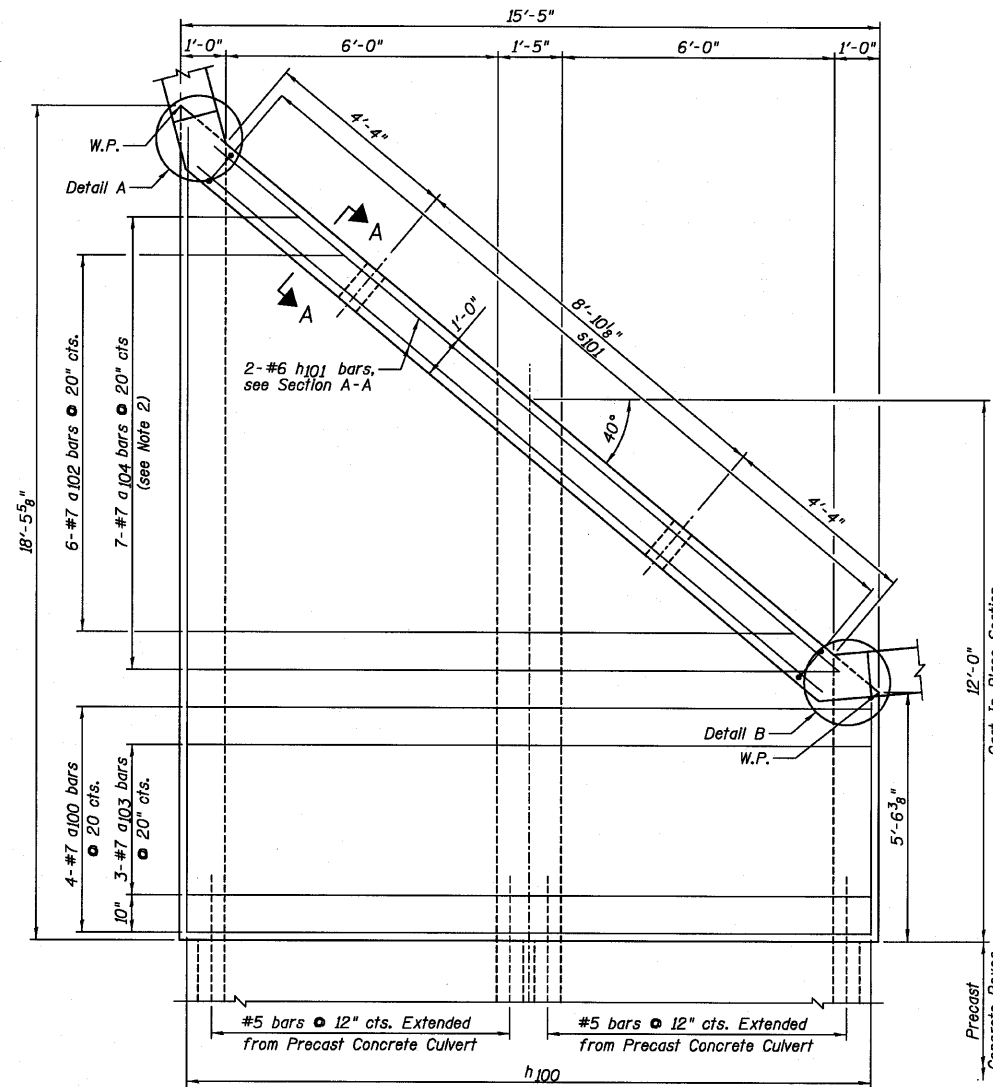


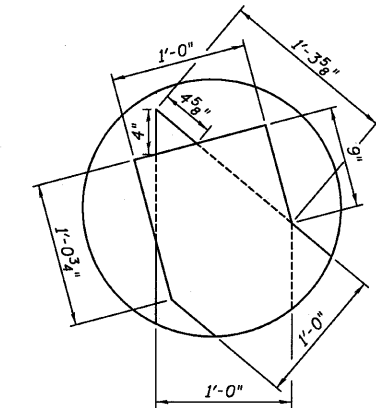
STATE OF ILLINOIS
DEPARTMENT OF TRANSPORTATION



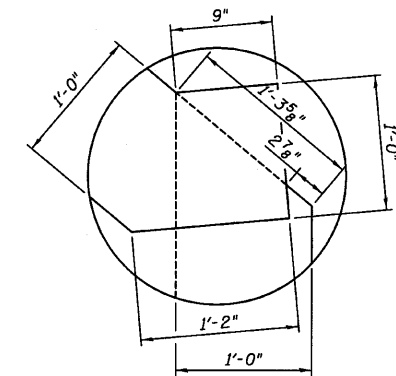
TOP MAT OF REINFORCEMENT PLAN



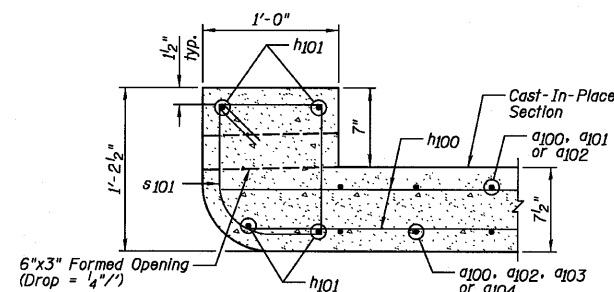
BOTTOM MAT OF REINFORCEMENT PLAN



DETAIL A



DETAIL B



SECTION A-A

NOTES:

- 1.) Order h100 bars full length, cut according to Bar Cutting Diagram on Sheet C5. Use remainder of bars in bottom mat.
- 2.) Order a102 and a104 bars full length, cut according to Bar Cutting Diagram on Sheet C5. Use remainder of bars in bottom slab.
- 3.) For Bill of Material, see Sheet C5.
- 4.) W.P. denotes Working Point.

NORTH END CAST-IN-PLACE
TOP SLAB PLANS,
SECTION AND DETAILS
STRUCTURE NO. 027-2553

DESIGNED	SDH
CHECKED	JML
DRAWN	JWK/DJM
CHECKED	MSW

DATE 08/04/10

Farnsworth
GROUP, INC.
2709 McGraw Drive
Bloomington, Illinois 61704
309/663-8435, 309/663-1571 fax

SHEET NO. C6

12 SHEETS

F.A.P. RTE.	SECTION	COUNTY	TOTAL SHEETS	SHEET NO.
681	*	FORD/IROQUOIS	146	61
FED. ROAD DIST. NO.		ILLINOIS FED. AID PROJECT		
		CONTRACT NO. 66880		