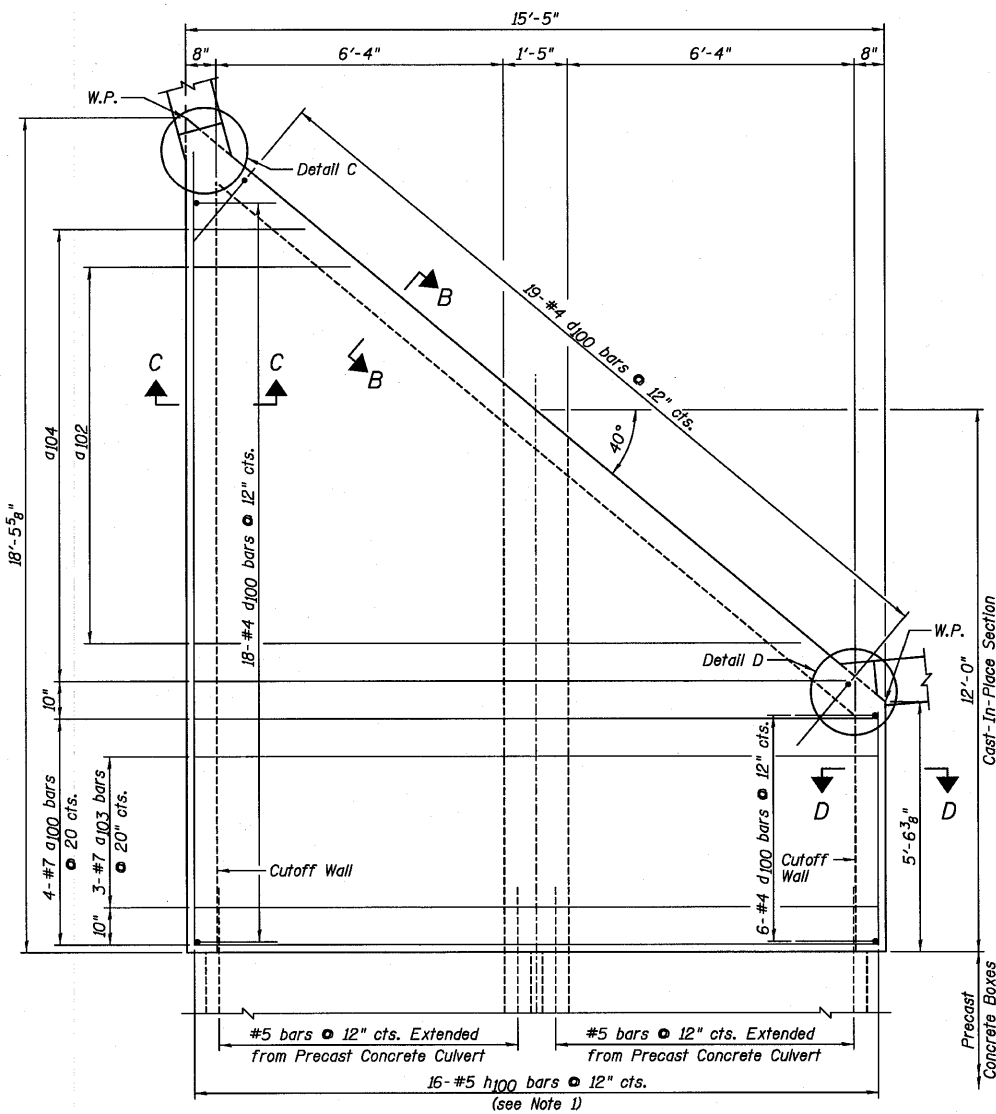
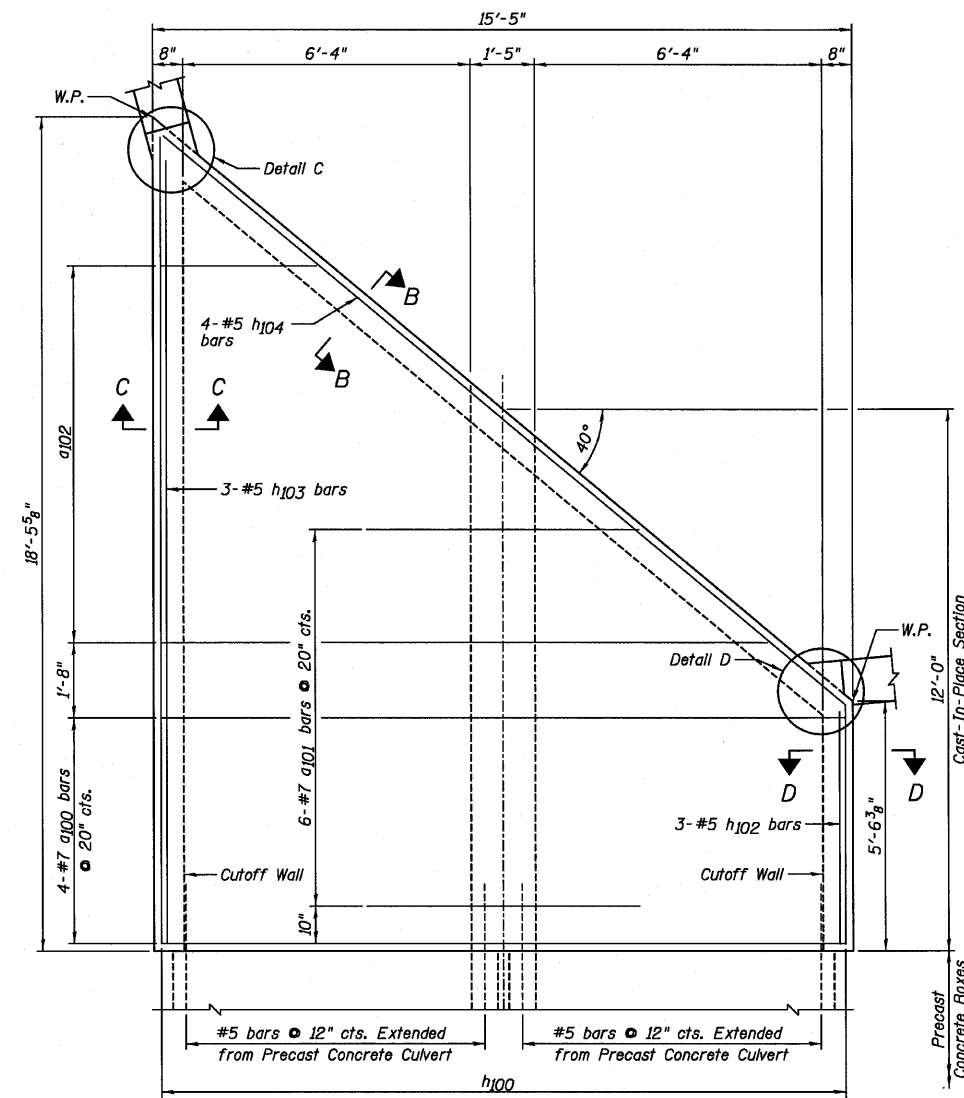


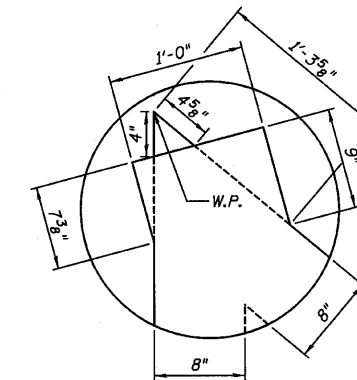
STATE OF ILLINOIS  
DEPARTMENT OF TRANSPORTATION



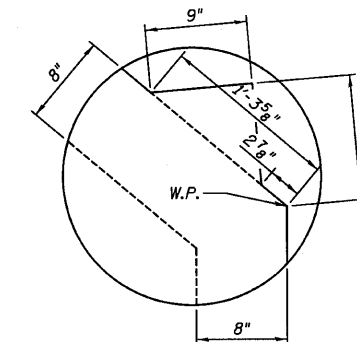
TOP MAT OF REINFORCEMENT PLAN



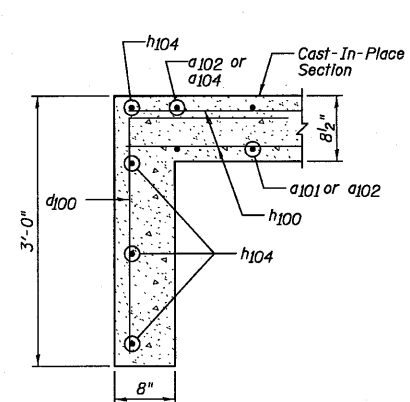
BOTTOM MAT OF REINFORCEMENT PLAN



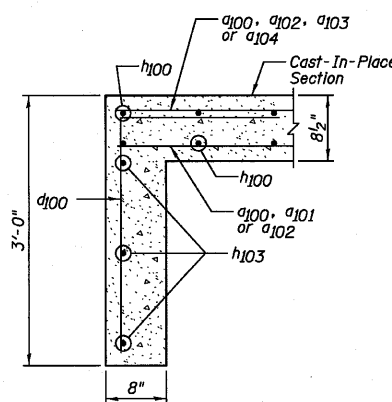
DETAIL C



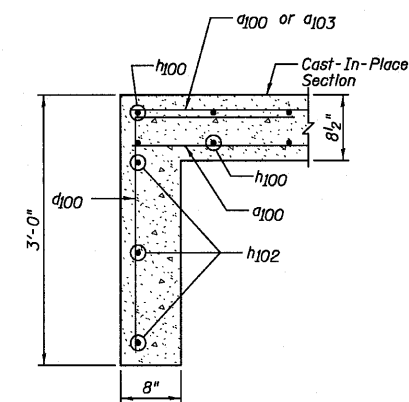
DETAIL D



SECTION B-B



SECTION C-C



SECTION D-D

DESIGNED	SDH
CHECKED	JML
DRAWN	JWK/DJM
CHECKED	MSW

DATE 08/04/10

NOTES:

- Order h100 bars full length, cut according to Bar Cutting Diagram on Sheet C5. Use remainder of bars in bottom mat.
- For Bill of Material, see Sheet C5.
- W.P. denotes Working Point.

NORTH END CAST-IN-PLACE  
BOTTOM SLAB PLANS,  
SECTIONS AND DETAILS  
STRUCTURE NO. 027-2553

<b>Farnsworth GROUP, INC.</b> 2709 McGraw Drive Bloomington, Illinois 61704 309/663-8435, 309/663-1571 fax	SHEET NO. C7	F.A.P. RTE.	SECTION	COUNTY	TOTAL SHEETS	SHEET NO.
	12 SHEETS	681	*	FORD/IROQUOIS	146	62
		FED. ROAD DIST. NO.		ILLINOIS FED. AID PROJECT		
				CONTRACT NO. 66880		

\* 116 BR/L116 BR, (BR-2)BR, I & BR-31

24-8271