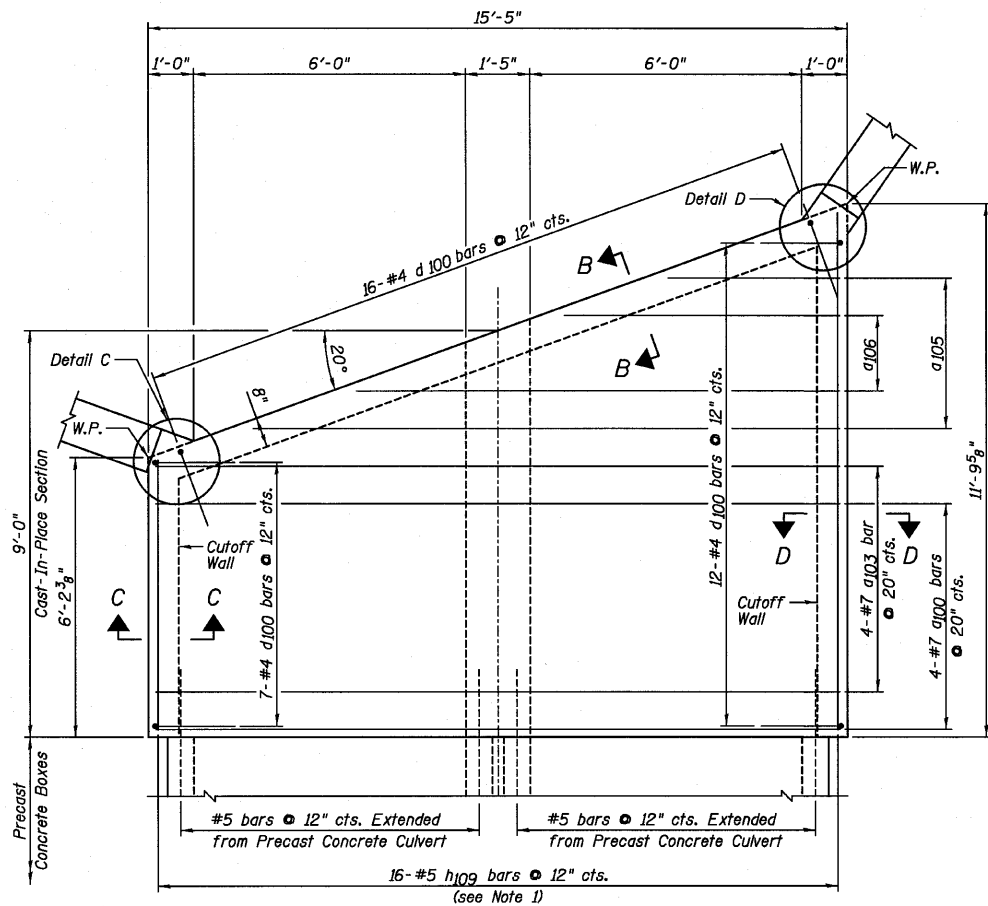
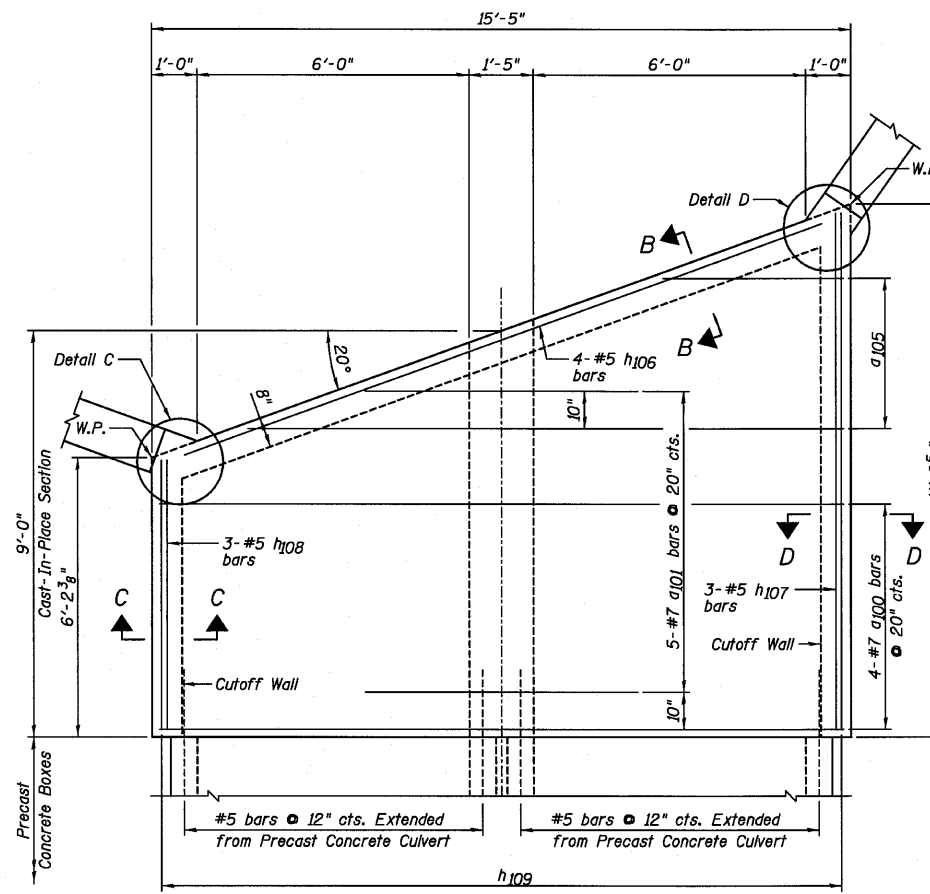


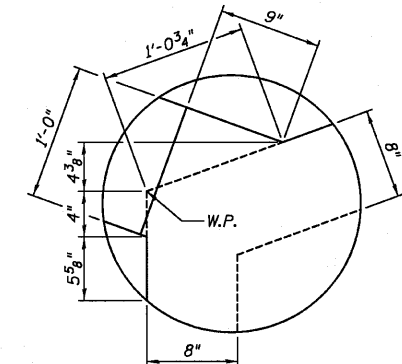
STATE OF ILLINOIS
DEPARTMENT OF TRANSPORTATION



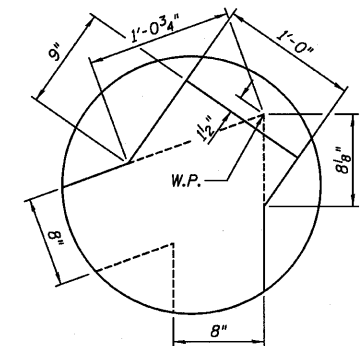
TOP MAT OF REINFORCEMENT PLAN



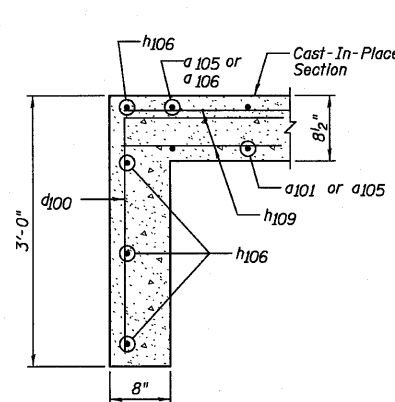
BOTTOM MAT OF REINFORCEMENT PLAN



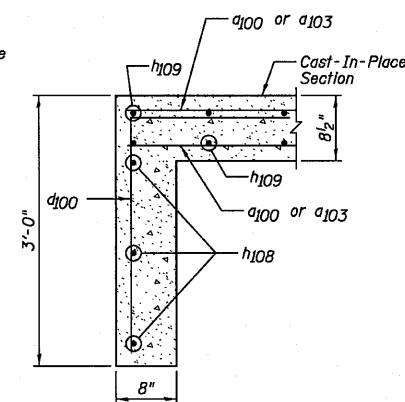
DETAIL C



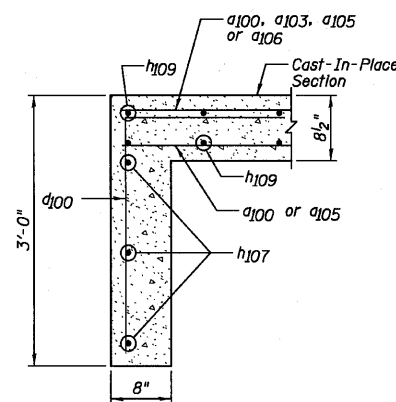
DETAIL D



SECTION B-B



SECTION C-C



SECTION D-D

NOTES:

- 1.) Order h109 bars full length, cut according to Bar Cutting Diagram on Sheet C5. Use remainder of bars in bottom mat.
- 2.) For Bill of Material, see Sheet C5.
- 3.) W.P. denotes Working Point.

SOUTH END CAST-IN-PLACE
BOTTOM SLAB PLANS,
SECTIONS AND DETAILS
STRUCTURE NO. 027-2553

DESIGNED	SDH
CHECKED	JML
DRAWN	JWK/DJM
CHECKED	MSW

DATE 08/04/10

Farnsworth GROUP, INC. 2709 McGraw Drive Bloomington, Illinois 61704 309/663-8435, 309/663-1571 fax	SHEET NO. C9	F.A.P. RTE.	SECTION	COUNTY	TOTAL SHEETS	SHEET NO.
	12 SHEETS	681	*	FORD/IROQUOIS	146	64
		FED. ROAD DIST. NO.		ILLINOIS FED. AID PROJECT		
		CONTRACT NO. 66880				

* 116 BR/L116 BR, (BR-2)BR, I & BR-3J

24-8271