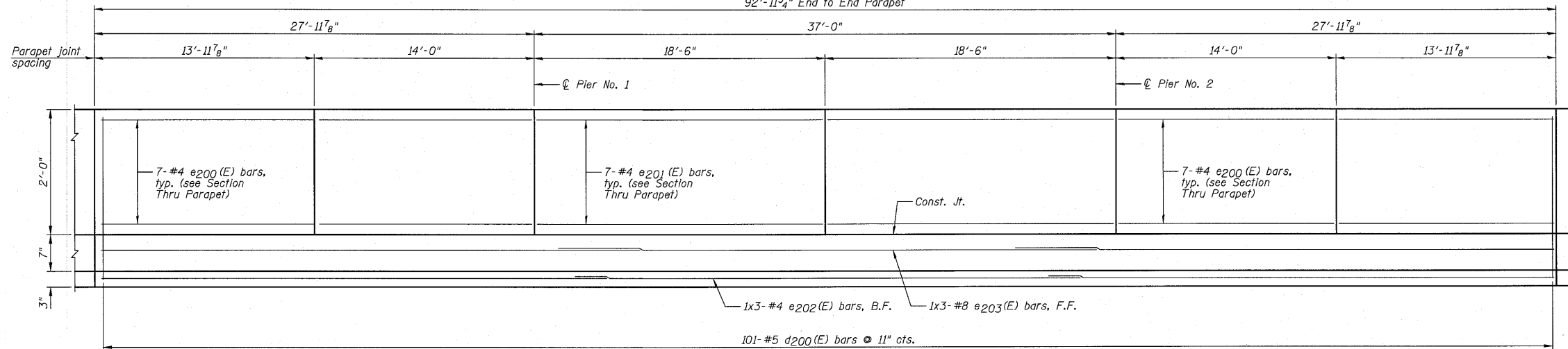
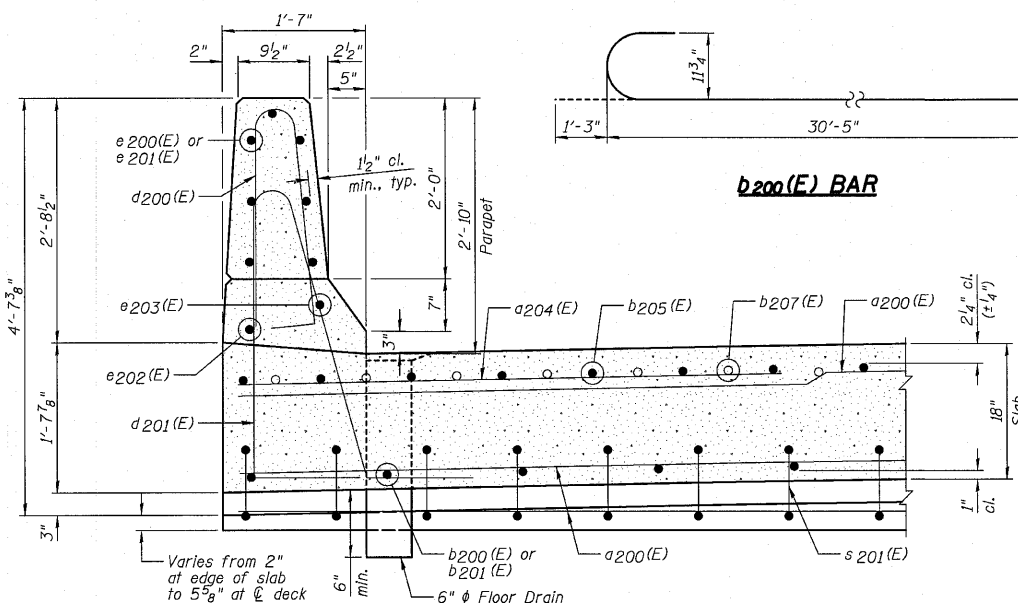
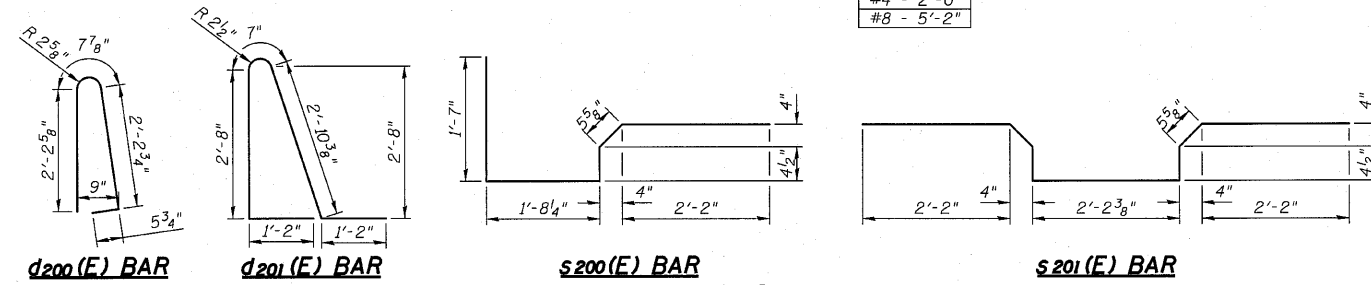


STATE OF ILLINOIS
DEPARTMENT OF TRANSPORTATION

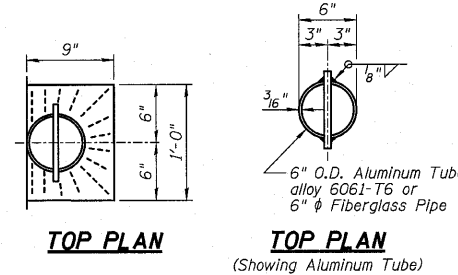
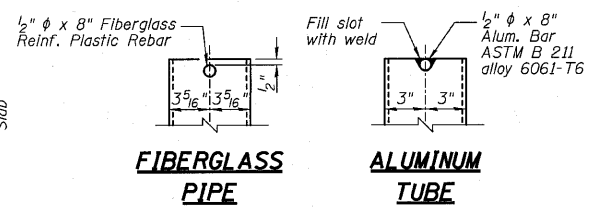
92'-11 3/4" End to End Parapet



INSIDE ELEVATION OF PARAPET

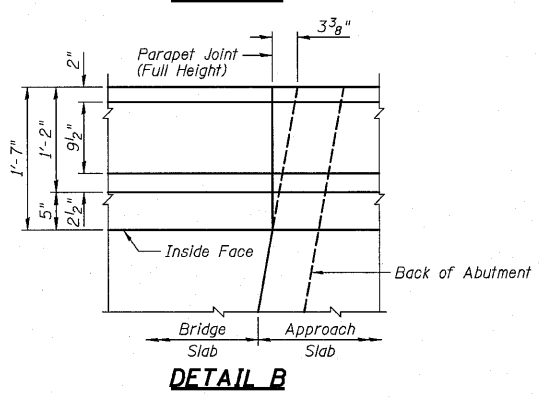
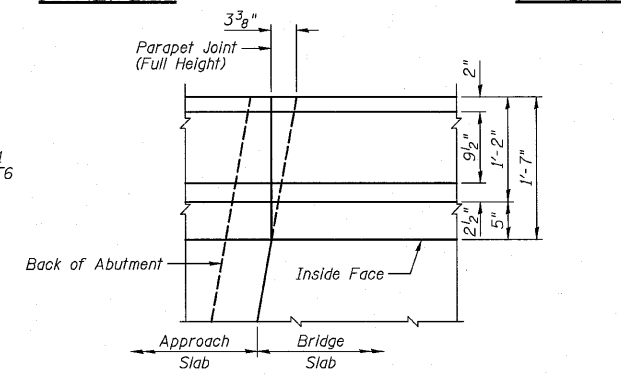


SECTION THRU PARAPET



DRAIN NOTES:

- 1.) Space Drains to miss slab reinforcement.
- 2.) Fiberglass pipe shall conform to ASTM D2996, with short-time rupture strength hoop tensile stress of 30,000 p.s.i. minimum.
- 3.) The exterior surfaces of the floor drains shall be coated or pigmented by the manufacturer with a color that matches the concrete.



BAR CUTTING DIAGRAM

BAR	A	B	C	D	E	F	L
a201(E)	30'-5"	2'-1"	30'-5"	2'-1"	1	6	32'-6"
a203(E)	33'-5"	7'-11"	33'-5"	7'-11"	1	4	41'-4"

- NOTES:
- 1.) B.F. Denotes Back Face and F.F. Denotes Front Face.
 - 2.) For location of Detail A and Detail B, see Sheet D6.
 - 3.) Inside elevation of parapet is exaggerated vertically to show reinforcement.
 - 4.) Bars indicated thus 1x3-#4 etc. indicates 1 line of bars with 3 lengths per line.

SUPERSTRUCTURE DETAILS
STRUCTURE NO. 027-0100

SUPERSTRUCTURE
BILL OF MATERIAL

Bar	No.	Size	Length	Shape	
a200(E)	144	#5	34'-10"	—	
a201(E)	6	#5	32'-6"	—	
a202(E)	12	#5	35'-4"	—	
a203(E)	4	#5	41'-4"	—	
a204(E)	122	#6	6'-6"	—	
b200(E)	48	#9	31'-8"	—	
b201(E)	24	#9	42'-3"	—	
b202(E)	46	#9	22'-10"	—	
b203(E)	23	#9	26'-6"	—	
b204(E)	72	#5	9'-4"	—	
b205(E)	72	#9	36'-6"	—	
b206(E)	36	#5	10'-0"	—	
b207(E)	70	#9	17'-0"	—	
d200(E)	202	#5	5'-7"	—	
d201(E)	202	#5	8'-5"	—	
e200(E)	56	#4	13'-8"	—	
e201(E)	28	#4	18'-2"	—	
e202(E)	6	#4	32'-3"	—	
e203(E)	6	#8	34'-4"	—	
s200(E)	70	#4	6'-3"	—	
s201(E)	70	#4	8'-3"	—	
Concrete Superstructure				Cu. Yd.	210.2
Reinforcement Bars, Epoxy Coated				Pound	40,710

DESIGNED	SDH
CHECKED	JML
DRAWN	JWK/DJM
CHECKED	MSW

Const. Jt. (Optional)
Const. Jt. (Mandatory)

Non-staining gray one component non-sag elastomeric gun grade polyurethane sealant meeting the requirements of ASTM C-920, Type S, Grade NS, Class 25. Use T with a 5/8" backer rod.

1/2" Preformed Self-Expanding Cork Joint Filler according to Article 1051.07 of the Std. Spec. Cost included with Concrete Superstructure.

Const. Jts. at end of deck 1/2" Aluminum sheet ASTM B 209 alloy 3003-H14 coated to minimize reaction with wet concrete. Cost included with Concrete Superstructure.

PARAPET JOINT DETAILS

Farnsworth GROUP, INC. 2709 McGraw Drive Bloomington, Illinois 61704 309/663-8435, 309/663-1571 fax	SHEET NO. D8	F.A.P. RTE.	SECTION	COUNTY	TOTAL SHEETS	SHEET NO.
	18 SHEETS	681	*	FORD/IROQUOIS	146	75
		CONTRACT NO. 66880		ILLINOIS FED. AID PROJECT		