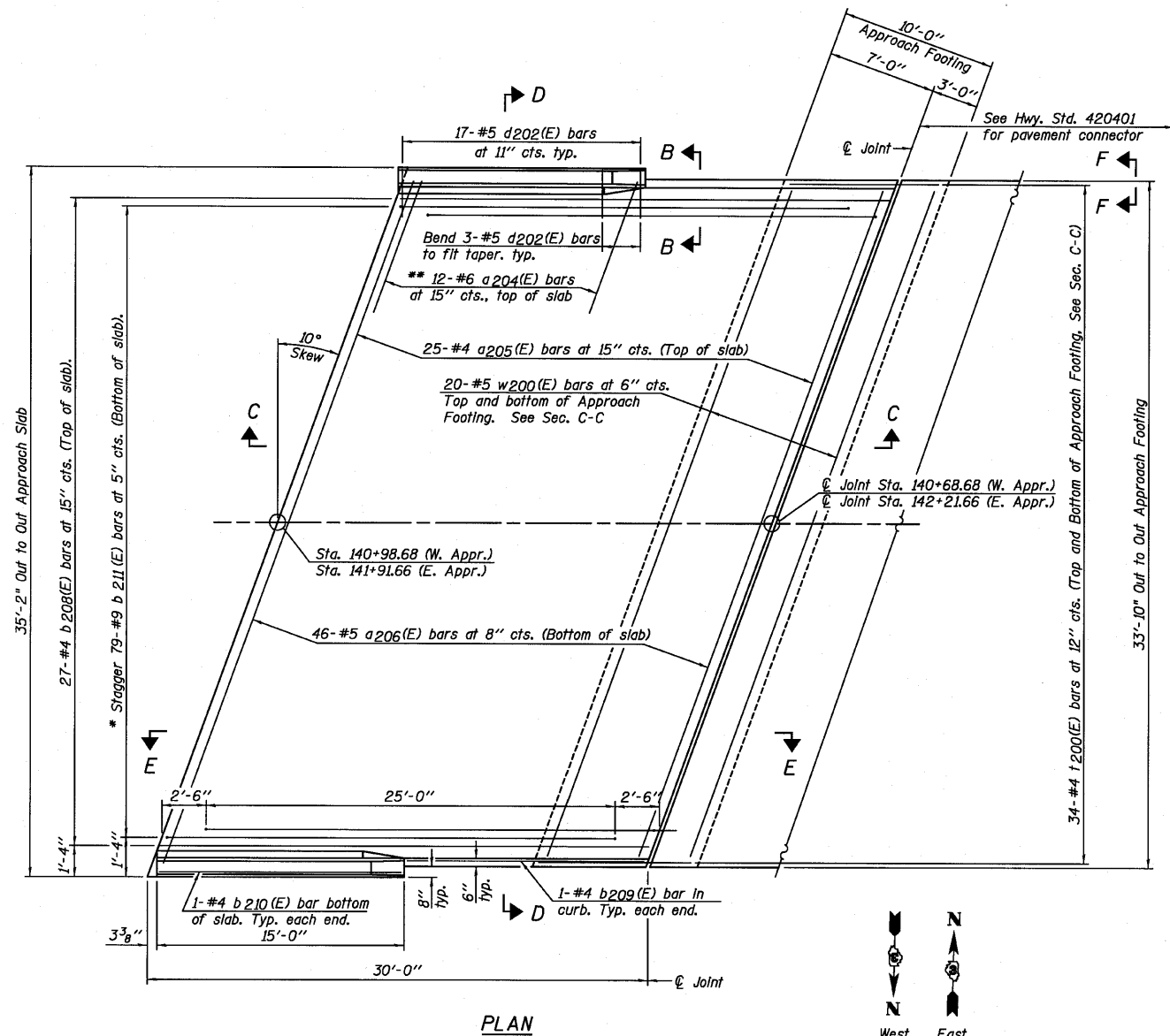
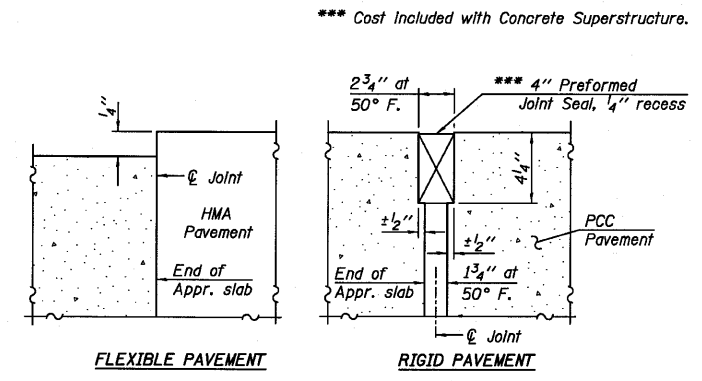


STATE OF ILLINOIS
DEPARTMENT OF TRANSPORTATION

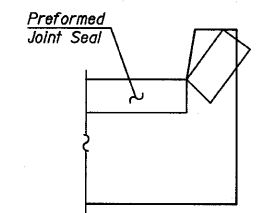
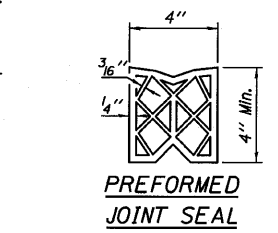
Notes:
See Sheet D10 for Sections C-C & D-D and View E-E.
a205(E) and a206(E) bar spacings measured along ϕ Rdwy.



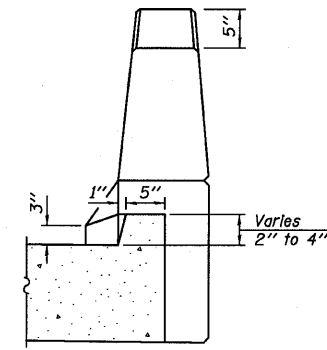
* Tilt #9 b211(E) bars as required to maintain clearance.
** Space between a205(E) bars, typ. each parapet.



DETAIL A



VIEW F-F
Angle Preformed Joint Seal at 45° at curbs when req'd for drainage.



VIEW B-B

DESIGNED	SDH
CHECKED	JML
DRAWN	JWK/DJM
CHECKED	MSW

DATE 08/04/10 BA-L 7-1-10

BRIDGE APPROACH SLAB DETAILS
STRUCTURE NO. 027-0100

<p>Farnsworth GROUP, INC. 2709 McGraw Drive Bloomington, Illinois 61704 309/663-8435, 309/663-1571 fax</p>	SHEET NO. D9	F.A.P. RTE.	SECTION	COUNTY	TOTAL SHEETS	SHEET NO.
	18 SHEETS	681	*	FORD/IROQUOIS	146	76
		CONTRACT NO. 66880				
		FED. ROAD DIST. NO.	ILLINOIS	FED. AID PROJECT		