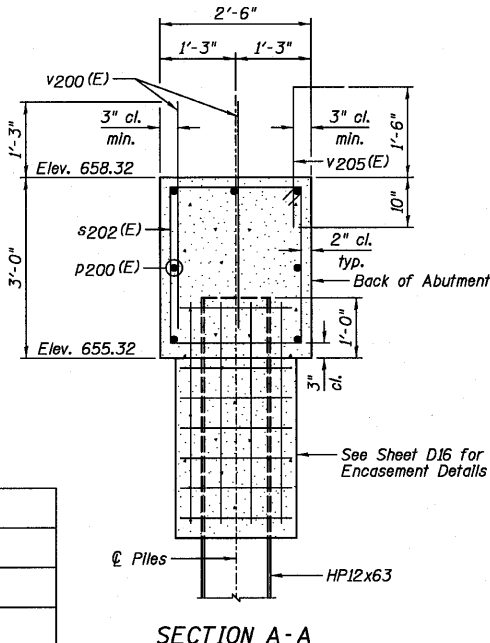
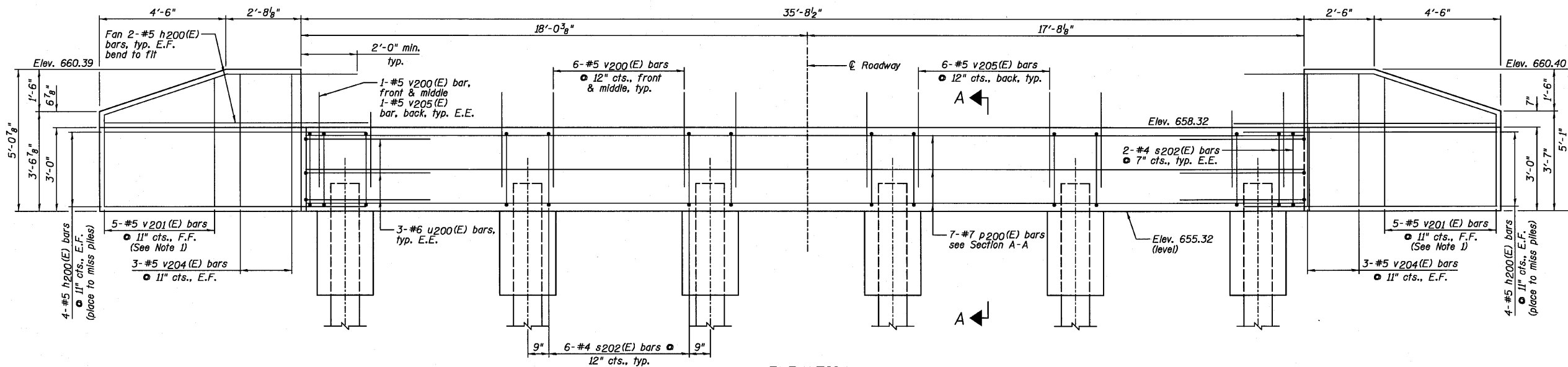
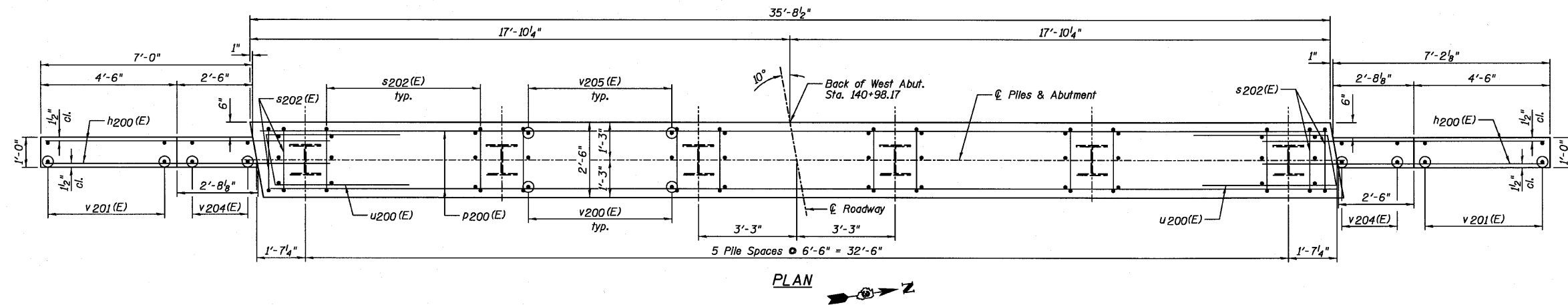


STATE OF ILLINOIS
DEPARTMENT OF TRANSPORTATION



PILE DATA:

Pile Type and Size	Steel - HP12x63
Nominal Required Bearing	291 kips
Factored Resistance Available	146 kips
Estimated Pile Length	36 Feet
Number of Production Piles	6
Number of Test Piles	0

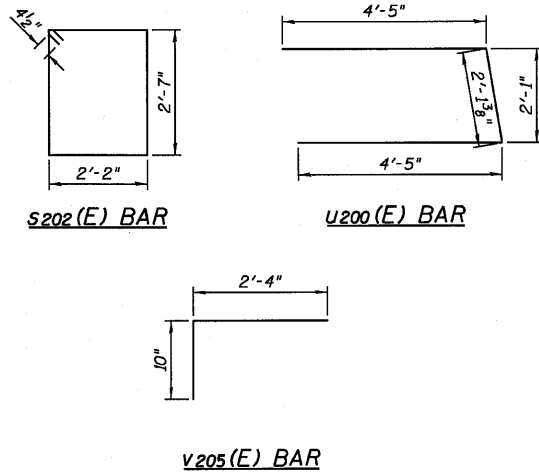
BAR CUTTING DIAGRAM

BAR	A	B	C	D	E	F	L
v201(E)	4'-7"	2'-11"	4'-7"	2'-11"	2	5	7'-6"

WEST ABUTMENT
BILL OF MATERIAL

Bar	No.	Size	Length	Shape
h200(E)	24	#5	9'-0"	—
p200(E)	7	#7	35'-4"	—
s202(E)	34	#4	10'-3"	□
u200(E)	6	#6	10'-11"	∟
v200(E)	64	#5	3'-9"	—
v201(E)	10	#5	7'-6"	—
v204(E)	12	#5	4'-9"	—
v205(E)	32	#5	3'-2"	—

Item	Unit	Quantity
Porous Granular Embankment, Special	Cu. Yd.	30
Structure Excavation	Cu. Yd.	43
Concrete Structures	Cu. Yd.	12.3
Concrete Encasement	Cu. Yd.	2.1
Reinforcement Bars, Epoxy Coated	Pound	1,560
Furnishing Steel Piles HP12x63	Foot	216
Driving Piles	Foot	216
Geocomposite Wall Drain	Sq. Yd.	18
Pipe Underdrains For Structures 4"	Foot	63



NOTES:

- Order v201(E) bars full length. Cut according to Bar Cutting Diagram. Use remainder of bars in back face.
- Bend or cut h200(E) bars to miss piles.
- E.E. denotes Each End, F.F., denotes Front Face and E.F. denotes Each Face.

DESIGNED	SDH
CHECKED	JML
DRAWN	JWK/DJM
CHECKED	MSW

DATE 08/04/10

WEST ABUTMENT
STRUCTURE NO. 027-0100

Farnsworth GROUP, INC. 2709 McGraw Drive Bloomington, Illinois 61704 309/663-8435, 309/663-1571 fax	SHEET NO. D11	F.A.P. RTE.	SECTION	COUNTY	TOTAL SHEETS	SHEET NO.
	18 SHEETS	681	*	FORD/IROQUOIS	146	78
		FED. ROAD DIST. NO.		ILLINOIS FED. AID PROJECT		
				CONTRACT NO. 66880		