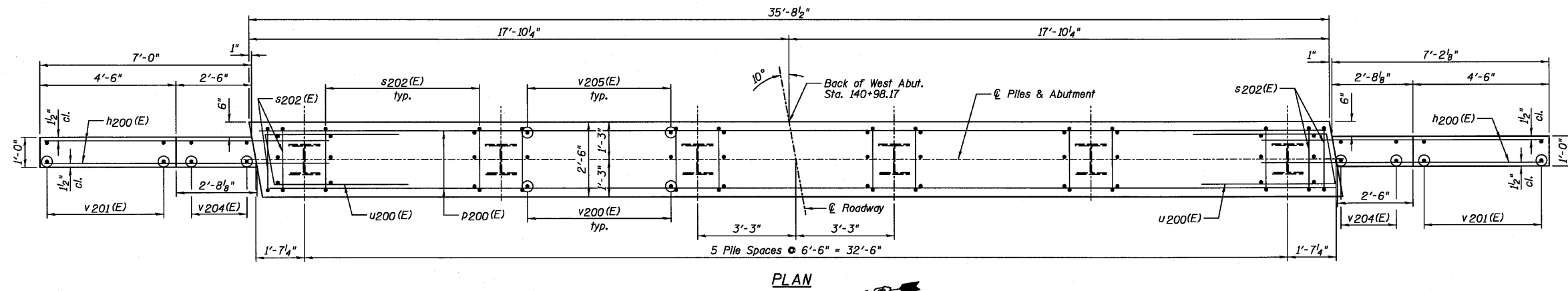
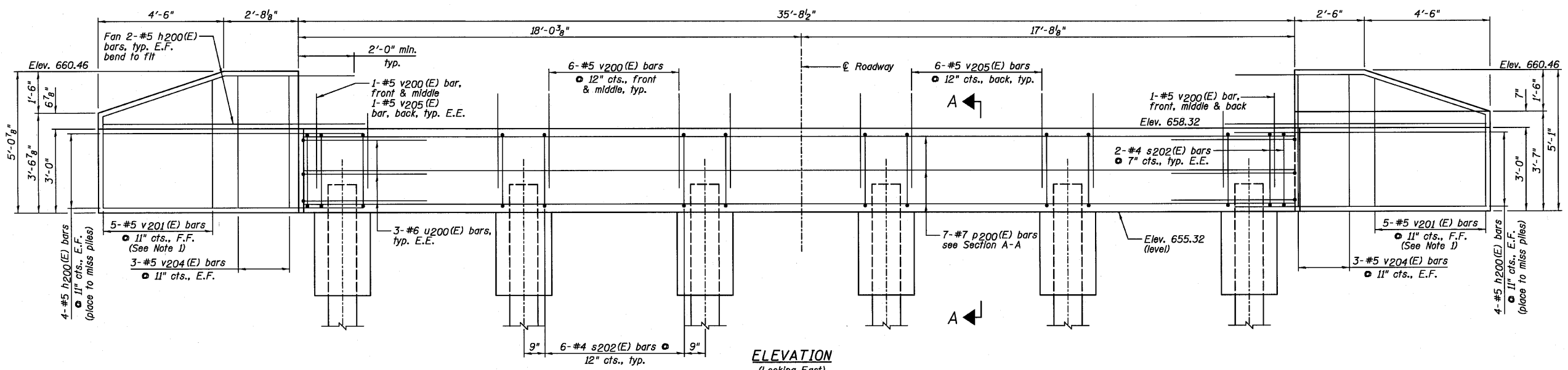


STATE OF ILLINOIS  
DEPARTMENT OF TRANSPORTATION



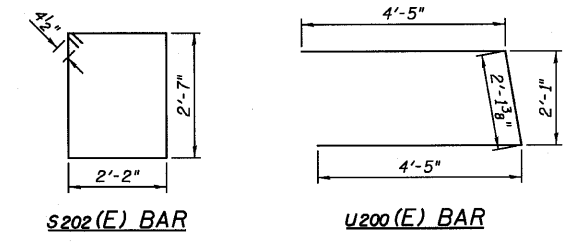
PLAN



ELEVATION  
(Looking East)

EAST ABUTMENT  
BILL OF MATERIAL

Bar	No.	Size	Length	Shape
h200(E)	24	#5	9'-0"	
p200(E)	7	#7	35'-4"	
s202(E)	34	#4	10'-3"	□
u200(E)	6	#6	10'-11"	∟
v200(E)	64	#5	3'-9"	
v201(E)	10	#5	7'-6"	
v204(E)	12	#5	4'-9"	
v205(E)	32	#5	3'-2"	



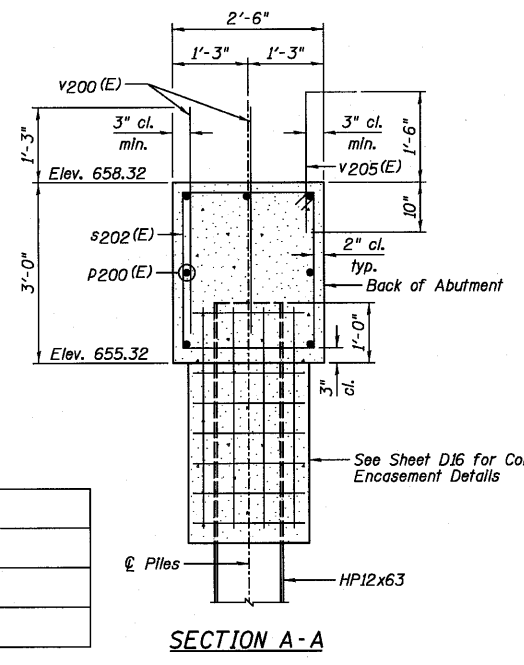
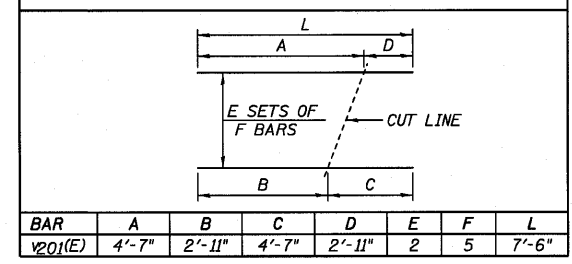
NOTES:

- Order v201(E) bars full length. Cut according to Bar Cutting Diagram. Use remainder of bars in back face.
- Bend or cut h200(E) bars to miss piles.
- E.E. denotes Each End, F.F., denotes Front Face and E.F. denotes Each Face.

PILE DATA:

Pile Type and Size	Steel - HP12x63
Nominal Required Bearing	290 klps
Factored Resistance Available	145 klps
Estimated Pile Length	41 Feet
Number of Production Piles	5
Number of Test Piles	1

BAR CUTTING DIAGRAM



SECTION A-A

DESIGNED	SDH
CHECKED	JML
DRAWN	JWK/DJM
CHECKED	MSW

DATE 08/04/10

**Farnsworth GROUP, INC.**  
2709 McGraw Drive  
Bloomington, Illinois 61704  
309/663-8435, 309/663-1571 fax

SHEET NO. D12	F.A.P. RTE. 681	SECTION *	COUNTY FORD/IROQUOIS	TOTAL SHEETS 146	SHEET NO. 79
18 SHEETS	FED. ROAD DIST. NO.		ILLINOIS FED. AID PROJECT		
			CONTRACT NO. 66880		