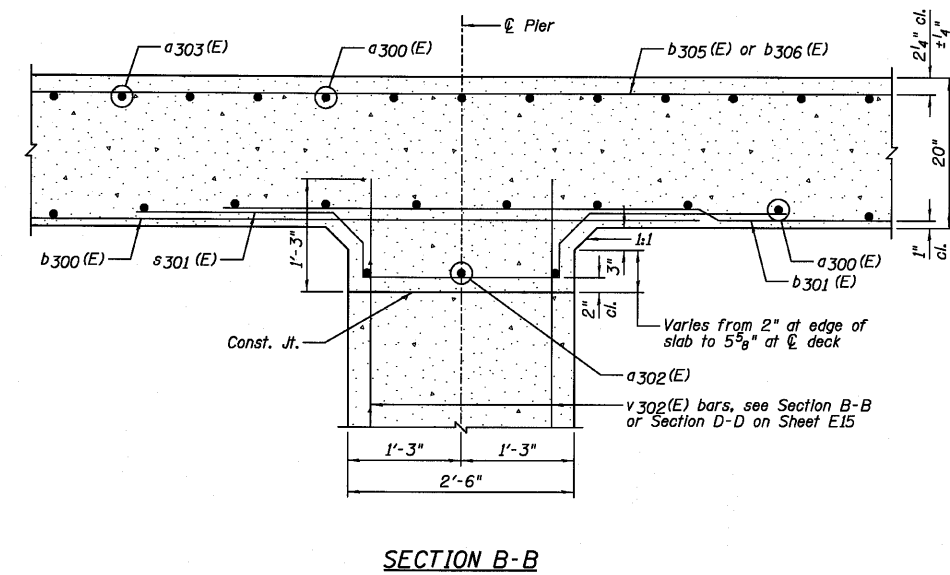
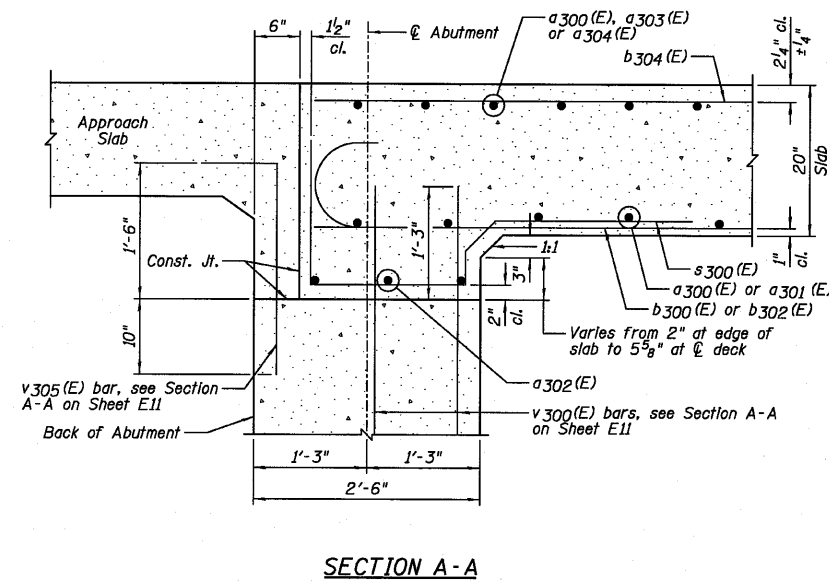
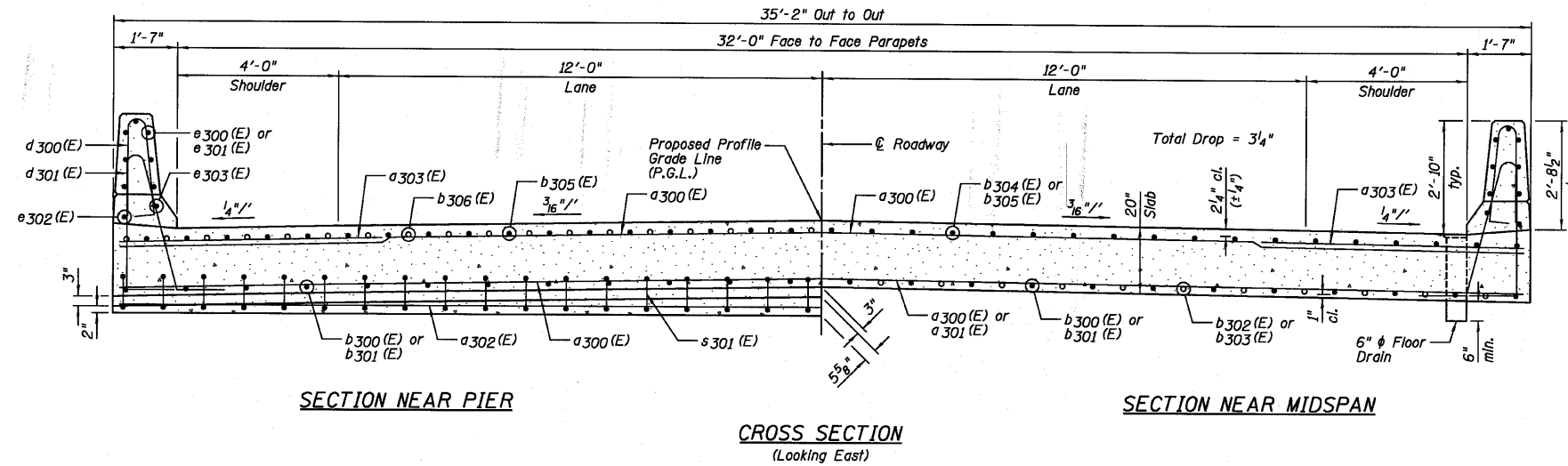


STATE OF ILLINOIS  
DEPARTMENT OF TRANSPORTATION



DESIGNED	SDH
CHECKED	JML
DRAWN	JMK/DJM
CHECKED	MSW

DATE 08/04/10

**NOTES:**

- 1.) For Section Thru Parapet, see Sheet E8.
- 2.) For locations of Sections A-A and B-B, see Sheets E5 and E6.

**Farnsworth**  
GROUP, INC.  
2709 McGraw Drive  
Bloomington, Illinois 61704  
309/663-8435, 309/663-1571 fax

SHEET NO. E7  
18 SHEETS

F.A.P. RTE.	SECTION	COUNTY	TOTAL SHEETS	SHEET NO.
681	*	FORD/IROQUOIS	146	92
CONTRACT NO. 66880				
FED. ROAD DIST. NO.	ILLINOIS	FED. AID PROJECT		

**SUPERSTRUCTURE CROSS SECTION  
STRUCTURE NO. 027-0098**