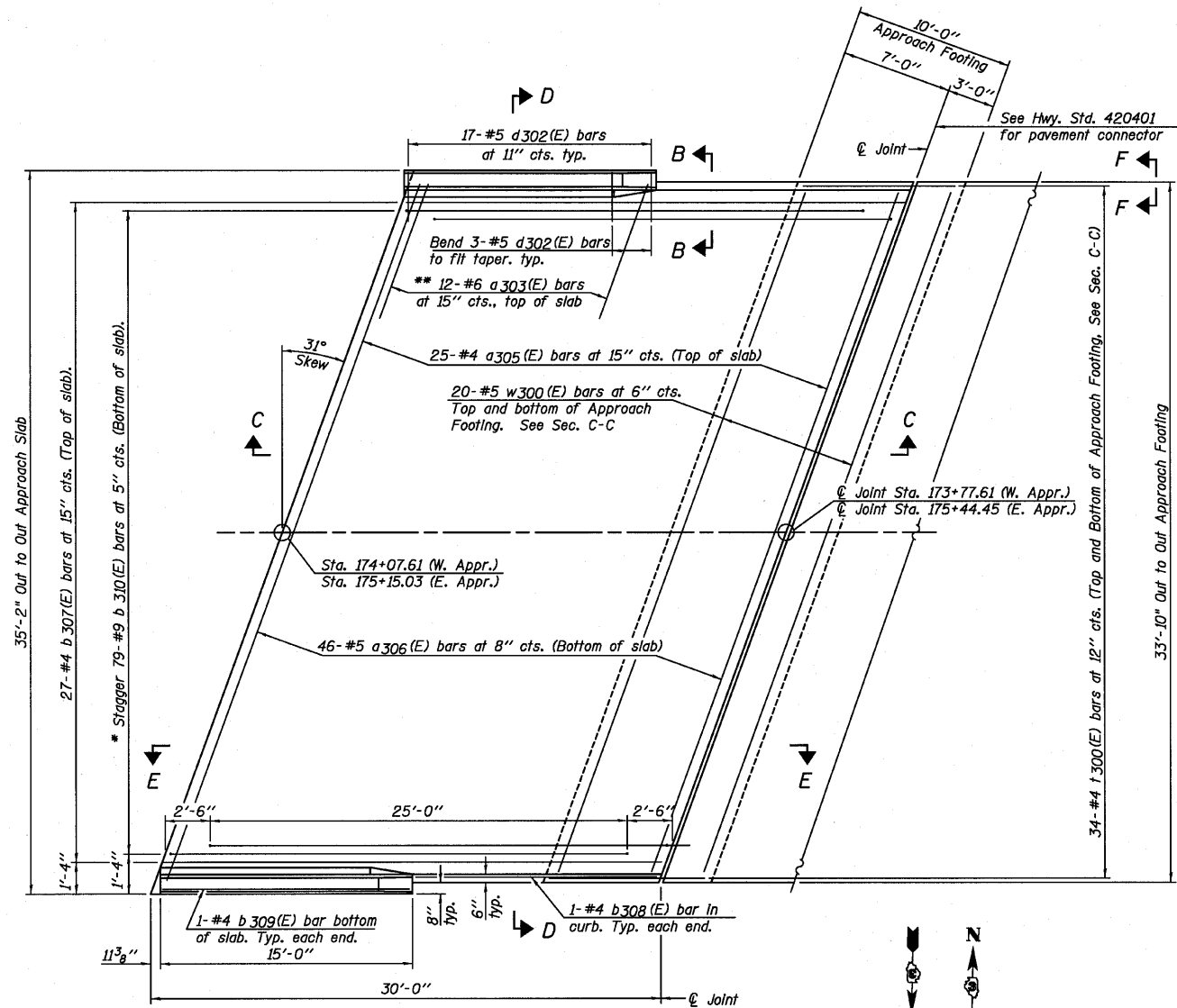


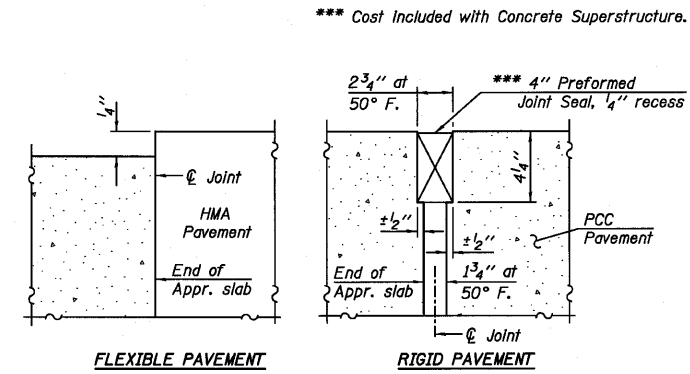
STATE OF ILLINOIS
DEPARTMENT OF TRANSPORTATION

Notes:
See Sheet E10 for Sections C-C & D-D and View E-E.
a305(E) and a306(E) bar spacings measured along $\text{\textcircled{C}}$ Rdwy.

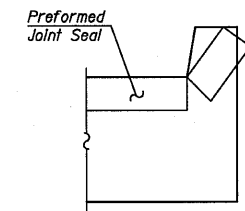
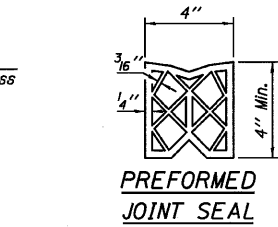


PLAN

* Tilt #9 b310(E) bars as required to maintain clearance.
** Space between a305(E) bars, typ. each parapet.

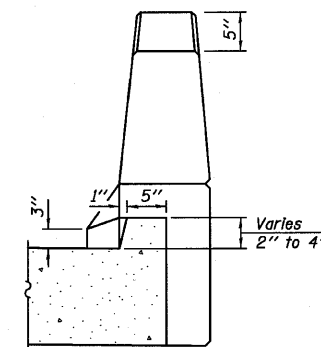


DETAIL A



VIEW F-F

Angle Preformed Joint Seal at 45° at curbs when req'd for drainage.



VIEW B-B

DESIGNED	SDH
CHECKED	JML
DRAWN	JWK/DJM
CHECKED	MSW

DATE 08/04/10

BA-L

7-1-10

BRIDGE APPROACH SLAB DETAILS
STRUCTURE NO. 027-0098

Farnsworth GROUP, INC. 2709 McGraw Drive Bloomington, Illinois 61704 309/663-8435, 309/663-1571 fax	SHEET NO. E9	F.A.P. RTE.	SECTION	COUNTY	TOTAL SHEETS	SHEET NO.
	18 SHEETS	681	*	FORD/IROQUOIS	146	94
		CONTRACT NO. 66880				
		ILLINOIS FED. AID PROJECT				

* 116 BR/L116 BR, (BR-2)BR, I & BR-3J

24-8271