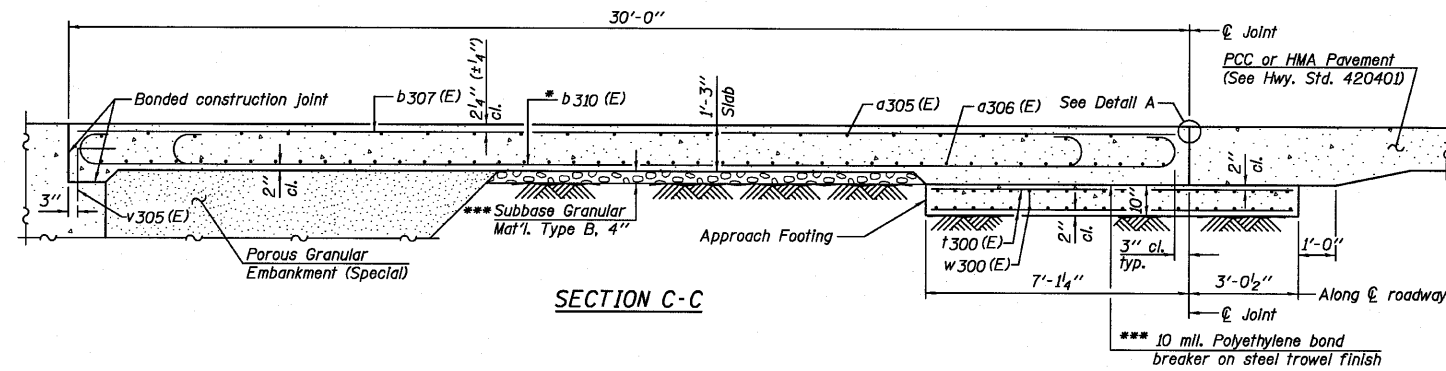


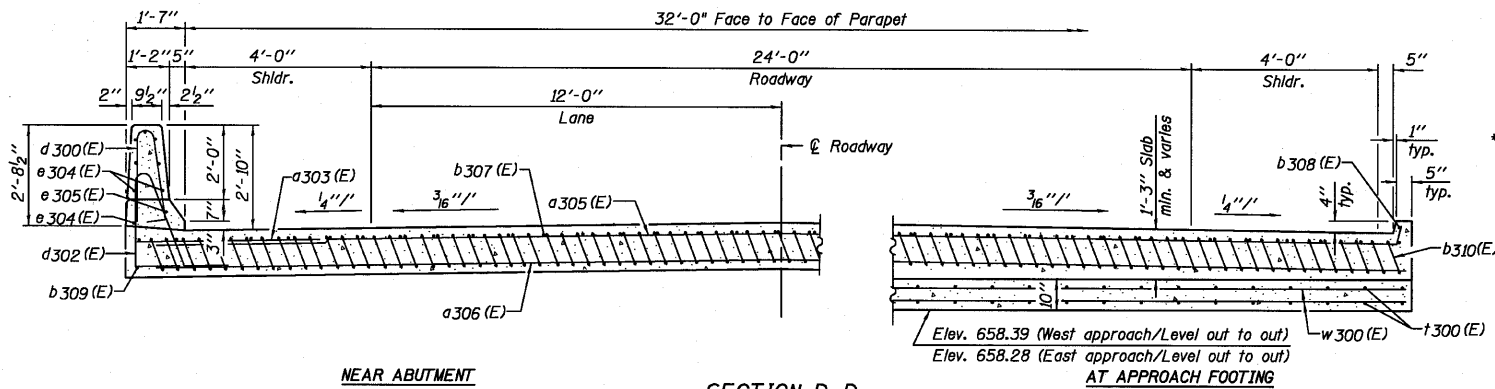
STATE OF ILLINOIS
DEPARTMENT OF TRANSPORTATION

Notes:

See Sheet E9 for Detail A and View B-B.
Approach slab and parapet concrete shall be paid for as Concrete Superstructure.
Approach footing concrete shall be paid for as Concrete Structures.
Reinforcement shall be paid for as Reinforcement Bars, Epoxy Coated.
For v300 (E) bar details, see Sheets E11 and E12.
The approach footing maximum applied service bearing pressure (Q_{max}) = 2.0 ksf.
Cost of excavation for approach footing included with Concrete Structures.
For Porous Granular Embankment (Special) and drainage treatment details, see Sheet E2.
For additional parapet details, see Sheet E8.

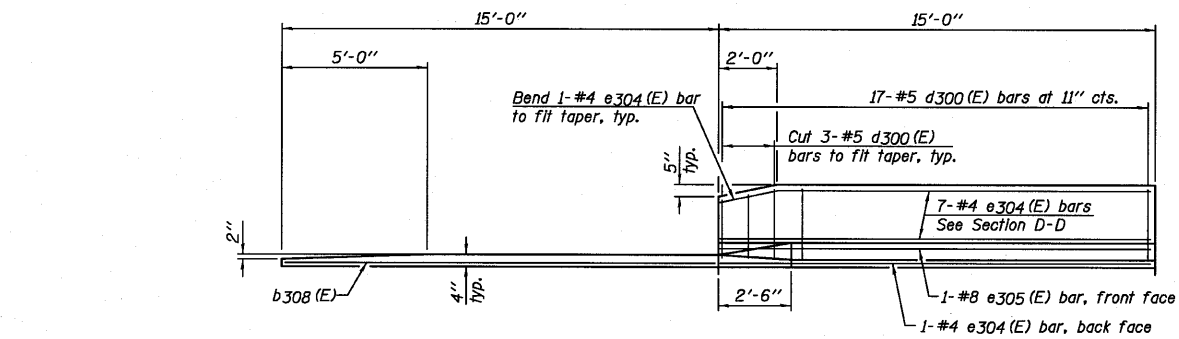


SECTION C-C

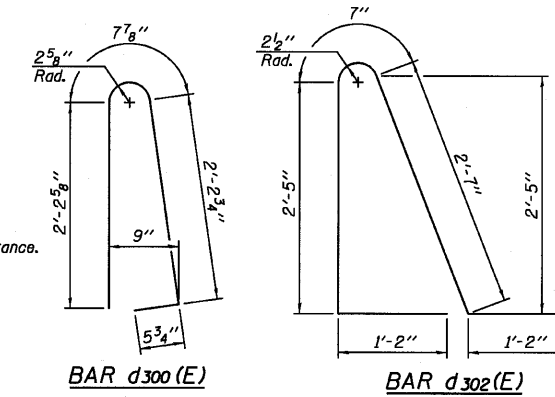
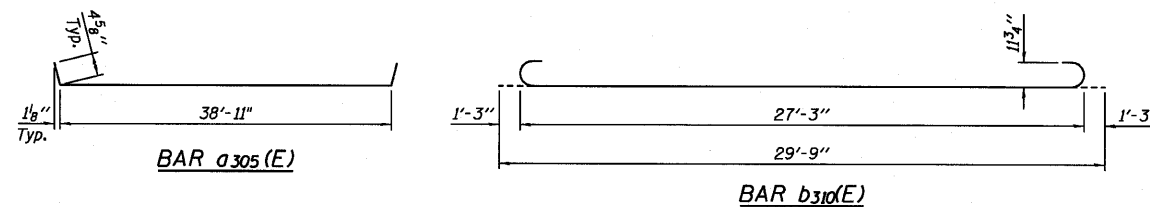


SECTION D-D

(See Plan for dimensions not shown)



VIEW E-E



BAR d300(E)

BAR d302(E)

* Tilt #9 b310(E) bars as required to maintain clearance.
*** Cost Included with Concrete Superstructure.

TWO APPROACHES
BILL OF MATERIAL

Bar	No.	Size	Length	Shape	
a303(E)	48	#6	6'-6"	—	
a305(E)	50	#4	39'-8"	—	
a306(E)	92	#5	39'-1"	—	
b307(E)	54	#4	29'-8"	—	
b308(E)	4	#4	15'-0"	—	
b309(E)	4	#4	14'-1"	—	
b310(E)	158	#9	29'-9"	—	
d300(E)	68	#5	5'-7"	⌒	
d302(E)	68	#5	7'-11"	⌒	
e304(E)	32	#4	14'-8"	—	
e305(E)	4	#8	14'-8"	—	
t300(E)	136	#4	11'-3"	—	
w300(E)	80	#5	39'-1"	—	
Item				Unit	Quantity
Concrete Superstructure				Cu. Yd.	107.8
Concrete Structures				Cu. Yd.	24.4
Reinforcement Bars, Epoxy Coated				Pound	28,380

BRIDGE APPROACH SLAB DETAILS
STRUCTURE NO. 027-0098

DESIGNED	SDH
CHECKED	JML
DRAWN	JWK/DJM
CHECKED	MSW

DATE 08/04/10

BA-L

7-1-10

Farnsworth
GROUP, INC.
2709 McGraw Drive
Bloomington, Illinois 61704
309/663-8435, 309/663-1571 fax

SHEET NO. E10
18 SHEETS

F.A.P. RTE.	SECTION	COUNTY	TOTAL SHEETS	SHEET NO.
681	*	FORD/IROQUOIS	146	95
CONTRACT NO. 66880				
FED. ROAD DIST. NO.	ILLINOIS	FED. AID PROJECT		

* 116 BR/[116 BR, (BR-2)BR, I & BR-3]

24-8271