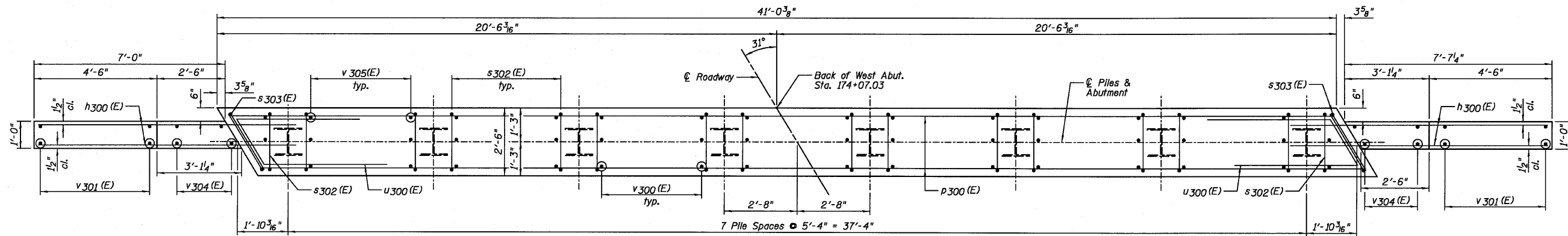
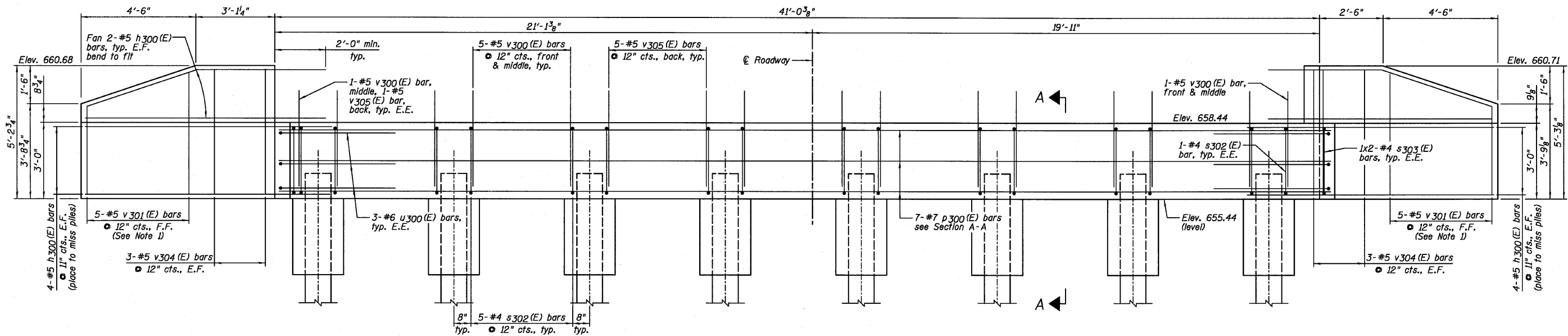


STATE OF ILLINOIS
DEPARTMENT OF TRANSPORTATION



PLAN

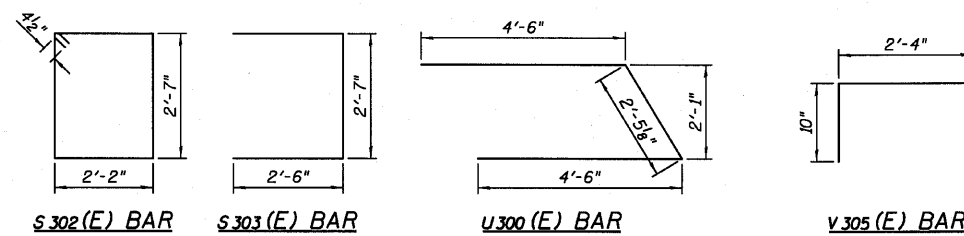


ELEVATION
(Looking West)

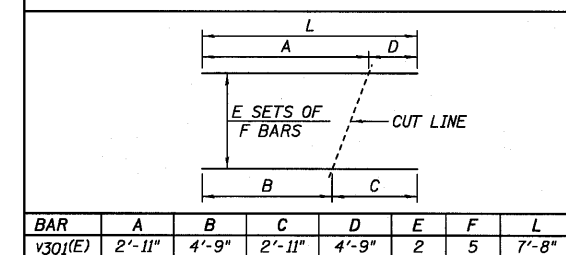
WEST ABUTMENT
BILL OF MATERIAL

Bar	No.	Size	Length	Shape
h300(E)	24	#5	9'-5"	—
p300(E)	7	#7	40'-8"	—
s302(E)	37	#4	10'-3"	□
s303(E)	4	#4	7'-8"	□
u300(E)	6	#6	11'-5"	└
v300(E)	73	#5	3'-9"	—
v301(E)	10	#5	7'-8"	—
v304(E)	12	#5	4'-11"	—
v305(E)	36	#5	3'-2"	—

Item	Unit	Quantity
Porous Granular Embankment, Special	Cu. Yd.	35
Structure Excavation	Cu. Yd.	49
Concrete Structures	Cu. Yd.	13.9
Concrete Encasement	Cu. Yd.	2.8
Reinforcement Bars, Epoxy Coated	Pound	1,800
Furnishing Steel Piles HP12x63	Foot	248
Driving Piles	Foot	248
Pile Shoes	Each	8
Geocomposite Wall Drain	Sq. Yd.	20
Pipe Underdrains For Structures 4"	Foot	68



BAR CUTTING DIAGRAM



PILE DATA:

Pile Type and Size	Steel - HP12x63 with Pile Shoes
Nominal Required Bearing	223 kips
Factored Resistance Available	111 kips
Estimated Pile Length	31 Feet
Number of Production Piles	8
Number of Test Piles	0

NOTES:

- Order v301(E) bars full length. Cut according to Bar Cutting Diagram. Use remainder of bars in Back Face.
- Bend or cut h300(E) bars to miss piles.
- E.E. denotes Each End, F.F. denotes Front Face and E.F. denotes Each Face.

WEST ABUTMENT
STRUCTURE NO. 027-0098

DESIGNED SDH
CHECKED JML
DRAWN JWK/DJM
CHECKED MSW

DATE 08/04/10

Farnsworth GROUP, INC.
2709 McGraw Drive
Bloomington, Illinois 61704
309/663-8435, 309/663-1571 fax

SHEET NO. E11
18 SHEETS

F.A.P. RTE.	SECTION	COUNTY	TOTAL SHEETS	SHEET NO.
681	*	FORD/IROQUOIS	146	96
FED. ROAD DIST. NO. ILLINOIS FED. AID PROJECT			CONTRACT NO. 66880	

* 116 BR/L116 BR, (BR-2)BR, I & BR-31

24-8271