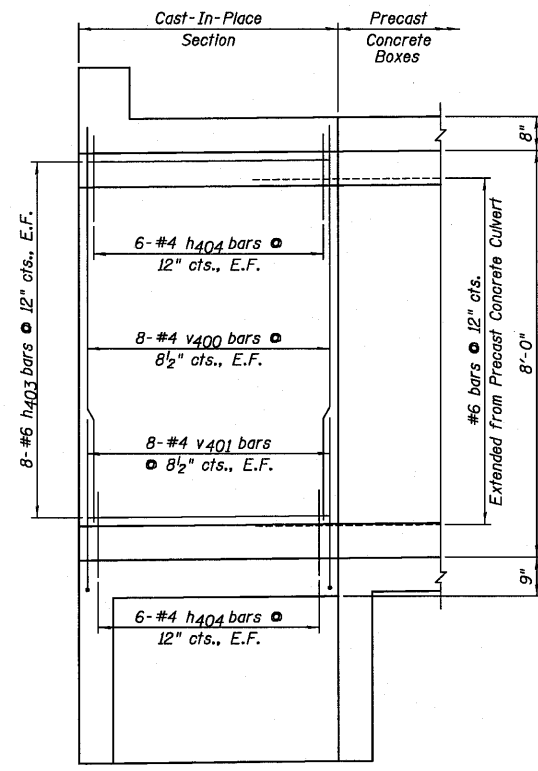


STATE OF ILLINOIS
DEPARTMENT OF TRANSPORTATION

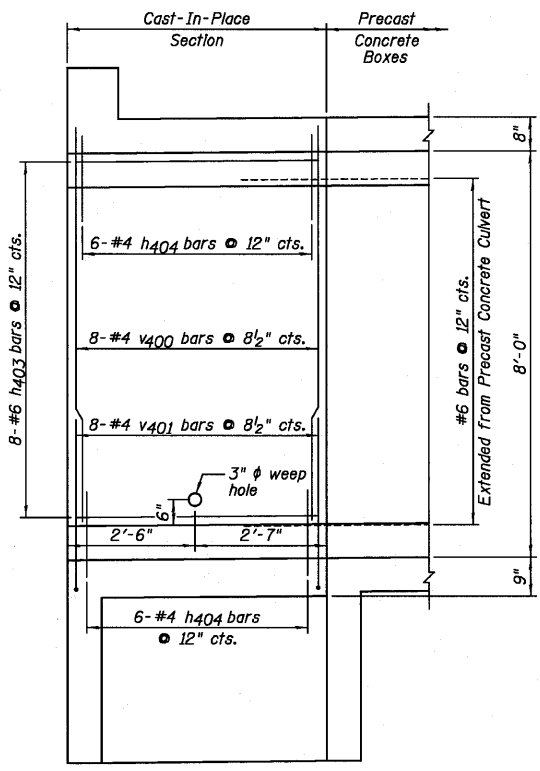
CAST-IN-PLACE CULVERT
BILL OF MATERIAL

Bar	No.	Size	Length	Shape
a400	12	#7	20'-3"	□
a401	27	#7	18'-7"	□
a402	14	#7	8'-0"	□
d400	60	#4	5'-3"	┘
h400	108	#5	3'-9"	┘
h401	32	#6	3'-9"	┘
h402	108	#5	4'-9"	┘
h403	32	#6	4'-9"	┘
h404	88	#4	1'-10"	┘
h405	8	#6	18'-3"	┘
h406	80	#4	12'-5"	┘
h407	8	#5	18'-7"	┘
n400(E)	76	#6	6'-0"	┘
s400	19	#4	5'-1"	┘
s401	19	#4	4'-11"	┘
t400	152	#4	6'-11"	┘
v400	56	#4	7'-10"	┘
v401	56	#4	3'-3"	┘
v402	4	#4	19'-8"	┘
v403	19	#4	19'-8"	┘
v404	4	#4	20'-6"	┘
v405	19	#4	20'-6"	┘
w400	64	#4	12'-2"	┘

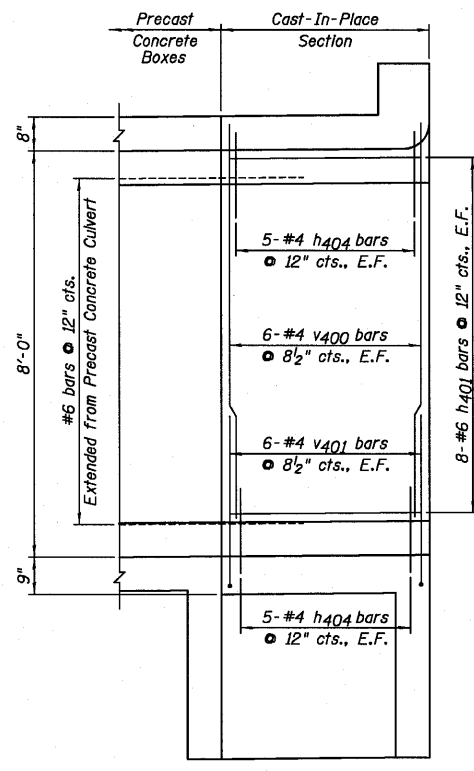
Item	Unit	Quantity
Reinforcement Bars	Pound	6,840
Reinforcement Bars, Epoxy Coated	Pound	690
Name Plates	Each	1
Concrete Box Culverts	Cu. Yd.	59.0



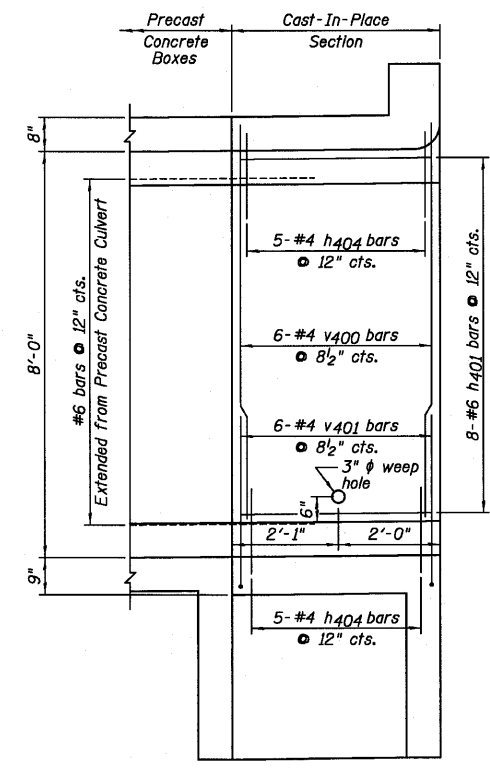
NORTH INTERIOR WALL



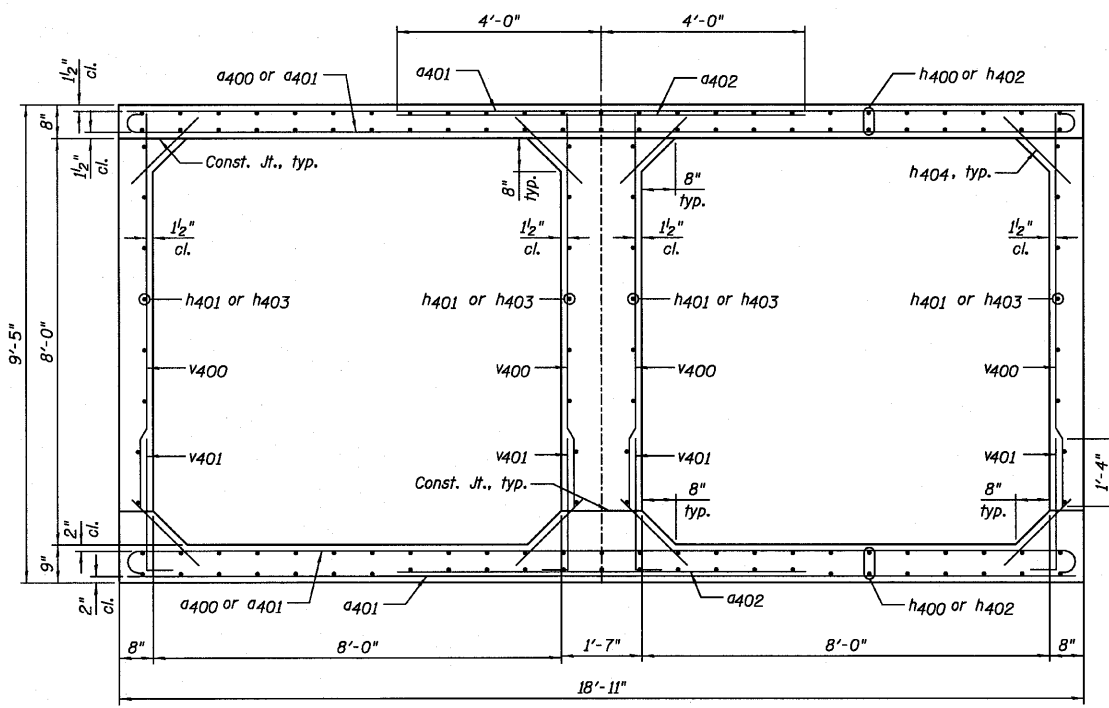
NORTH EXTERIOR WALL



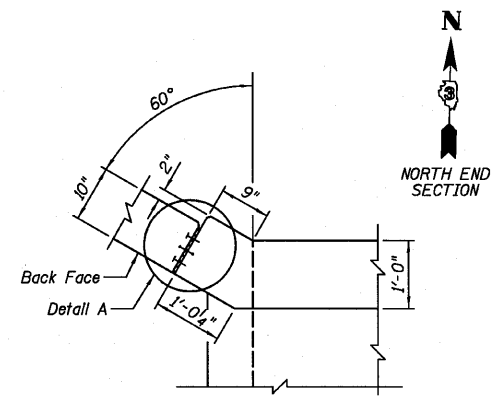
SOUTH INTERIOR WALL



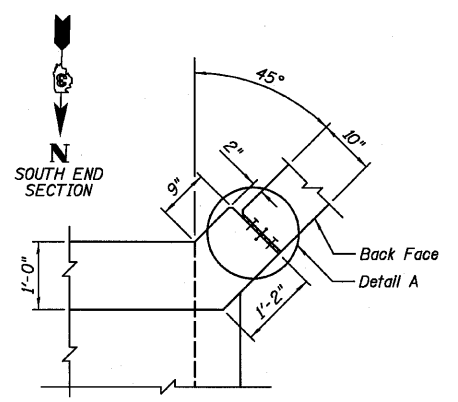
SOUTH EXTERIOR WALL



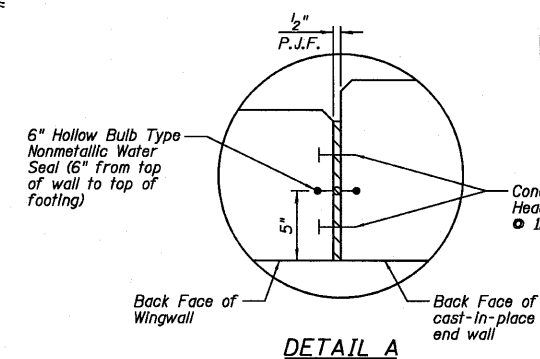
SECTION THRU CAST-IN-PLACE CONCRETE BARREL



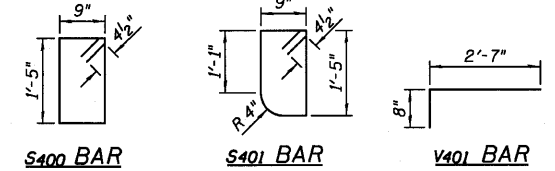
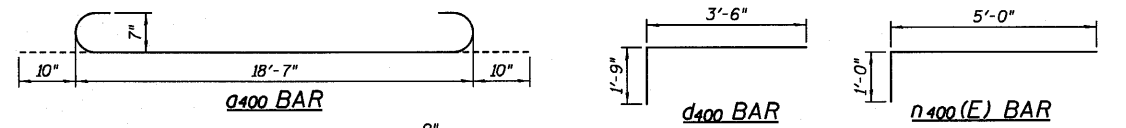
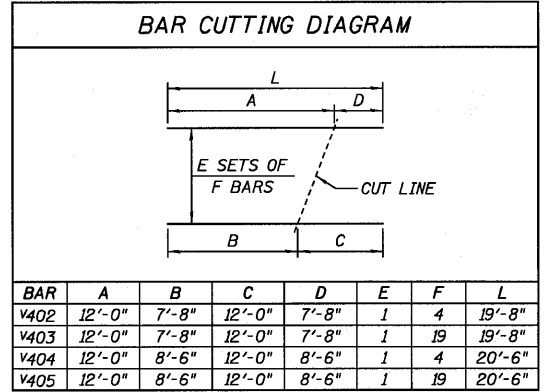
NORTH CORNER DETAIL



SOUTH CORNER DETAIL



DETAIL A



CAST-IN-PLACE CONCRETE CULVERT
SECTIONS, DETAILS AND
BILL OF MATERIAL
STRUCTURE NO. 038-2549

DESIGNED	SDH
CHECKED	JML
DRAWN	JWK/DJM
CHECKED	MSW

DATE 08/04/10

Farnsworth GROUP, INC.
2709 McGraw Drive
Bloomington, Illinois 61704
309/663-8435, 309/663-1571 fax

SHEET NO. F3
10 SHEETS

F.A.P. RTE.	SECTION	COUNTY	TOTAL SHEETS	SHEET NO.
681	*	FORD/IROQUOIS	146	106
FED. ROAD DIST. NO.		ILLINOIS FED. AID PROJECT		
		CONTRACT NO. 66880		