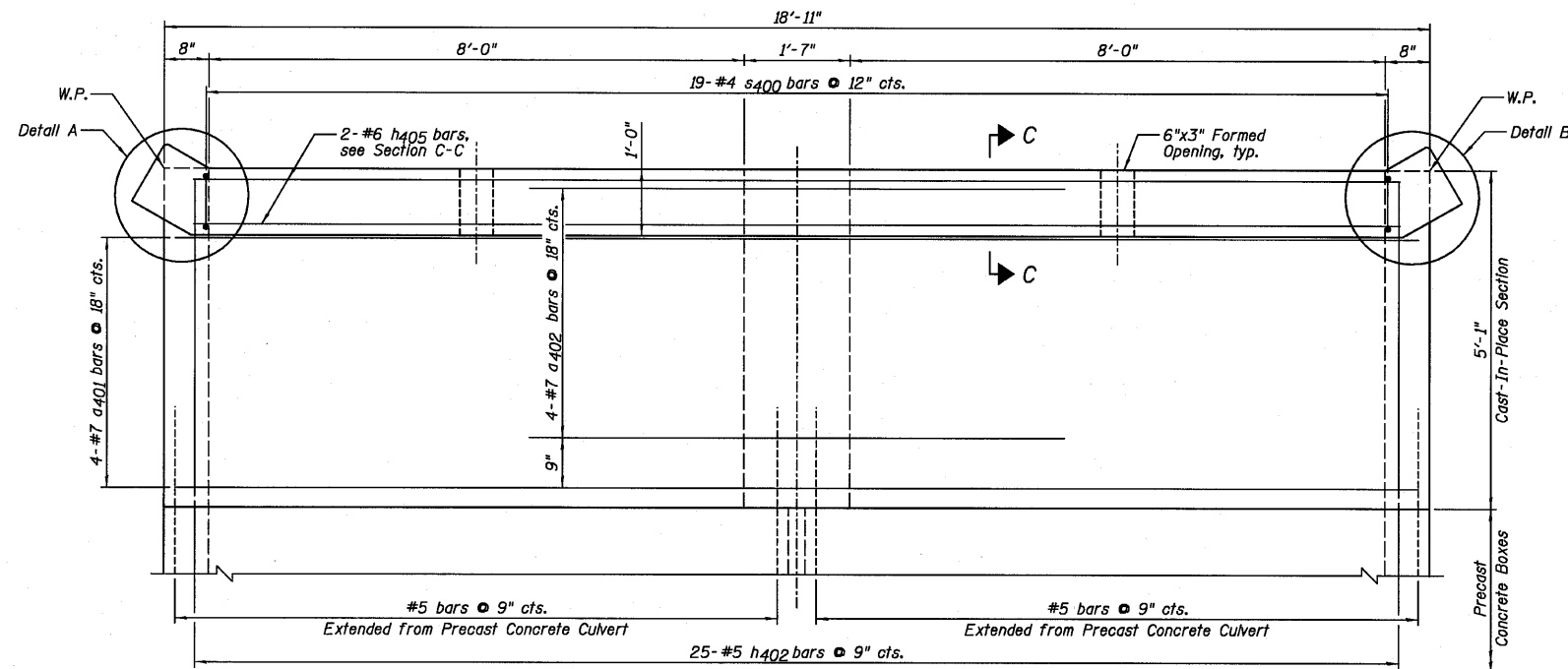
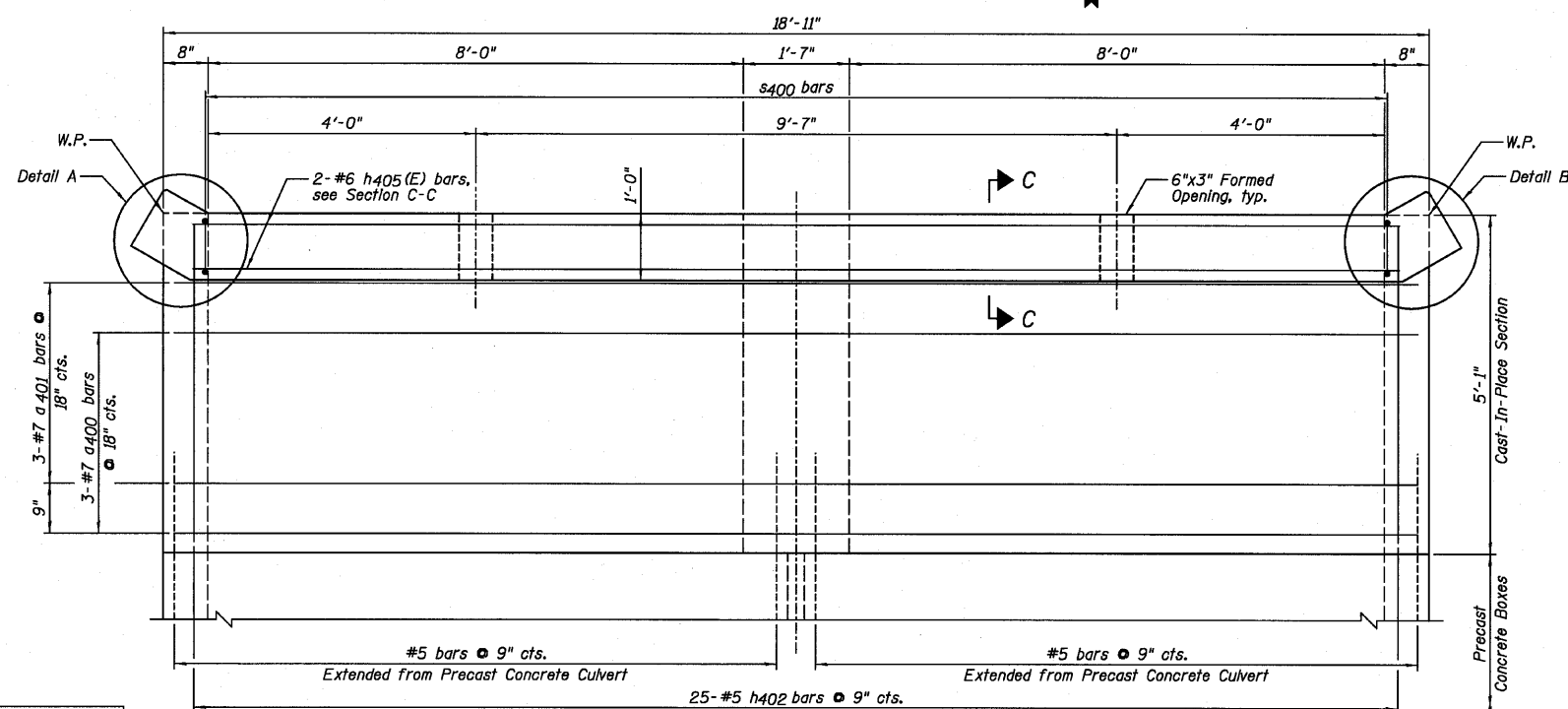


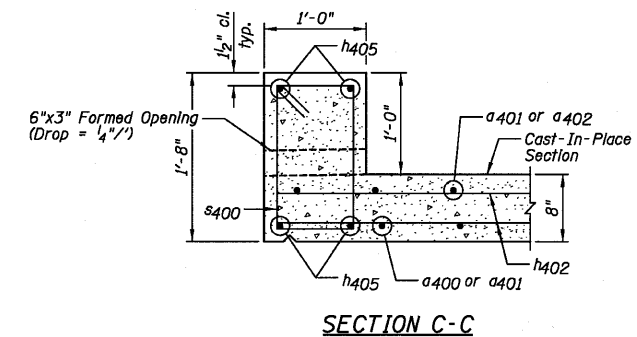
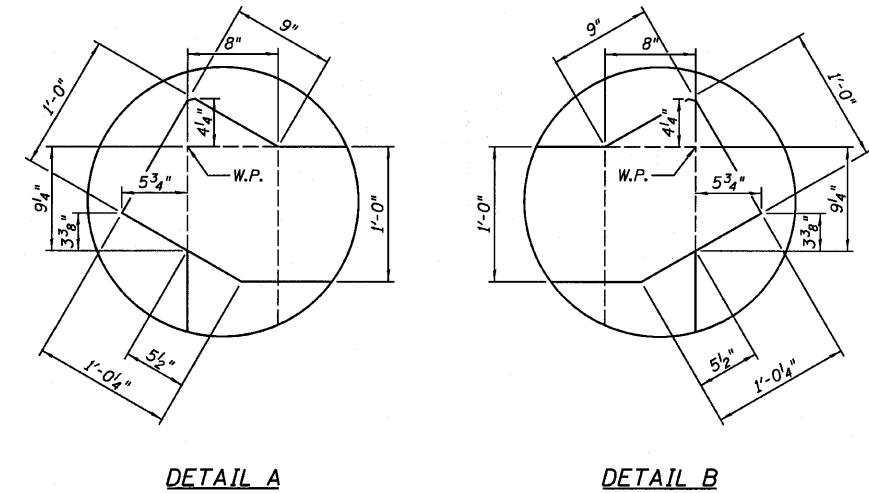
STATE OF ILLINOIS  
DEPARTMENT OF TRANSPORTATION



TOP MAT OF REINFORCEMENT PLAN



BOTTOM MAT OF REINFORCEMENT PLAN



SECTION C-C

NOTES:

- 1.) For Bill of Material, see Sheet F3.
- 2.) W.P. denotes Working Point.

DESIGNED	SDH
CHECKED	JML
DRAWN	JWK/DJM
CHECKED	MSW

DATE 08/04/10

<b>Farnsworth GROUP, INC.</b> 2709 McGraw Drive Bloomington, Illinois 61704 309/663-8435, 309/663-1571 fax	SHEET NO. F4	F.A.P. RTE.	SECTION	COUNTY	TOTAL SHEETS	SHEET NO.
	10 SHEETS	681	*	FORD/IROQUOIS	146	107
		FED. ROAD DIST. NO.		ILLINOIS FED. AID PROJECT		
				CONTRACT NO. 66880		

NORTH CAST-IN-PLACE  
TOP SLAB PLAN  
AND SECTION  
STRUCTURE NO. 038-2549