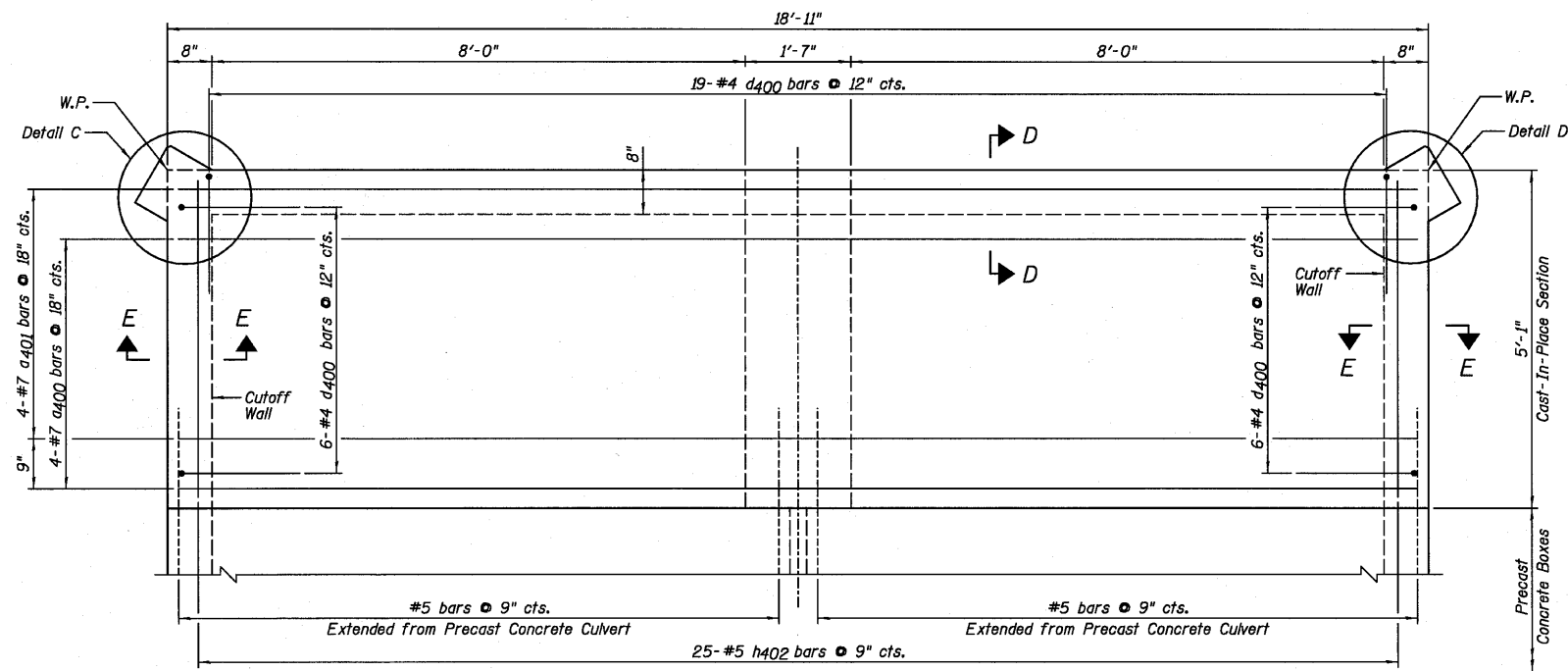
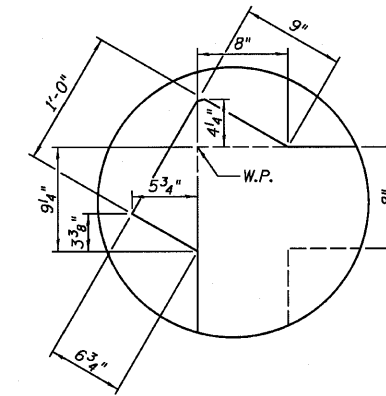


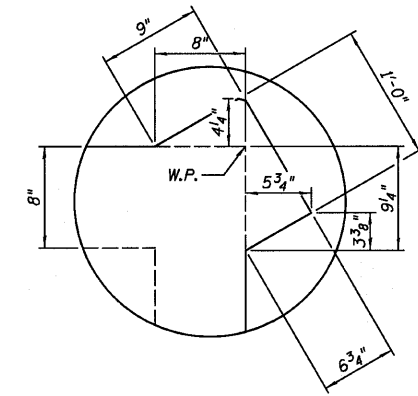
STATE OF ILLINOIS  
DEPARTMENT OF TRANSPORTATION



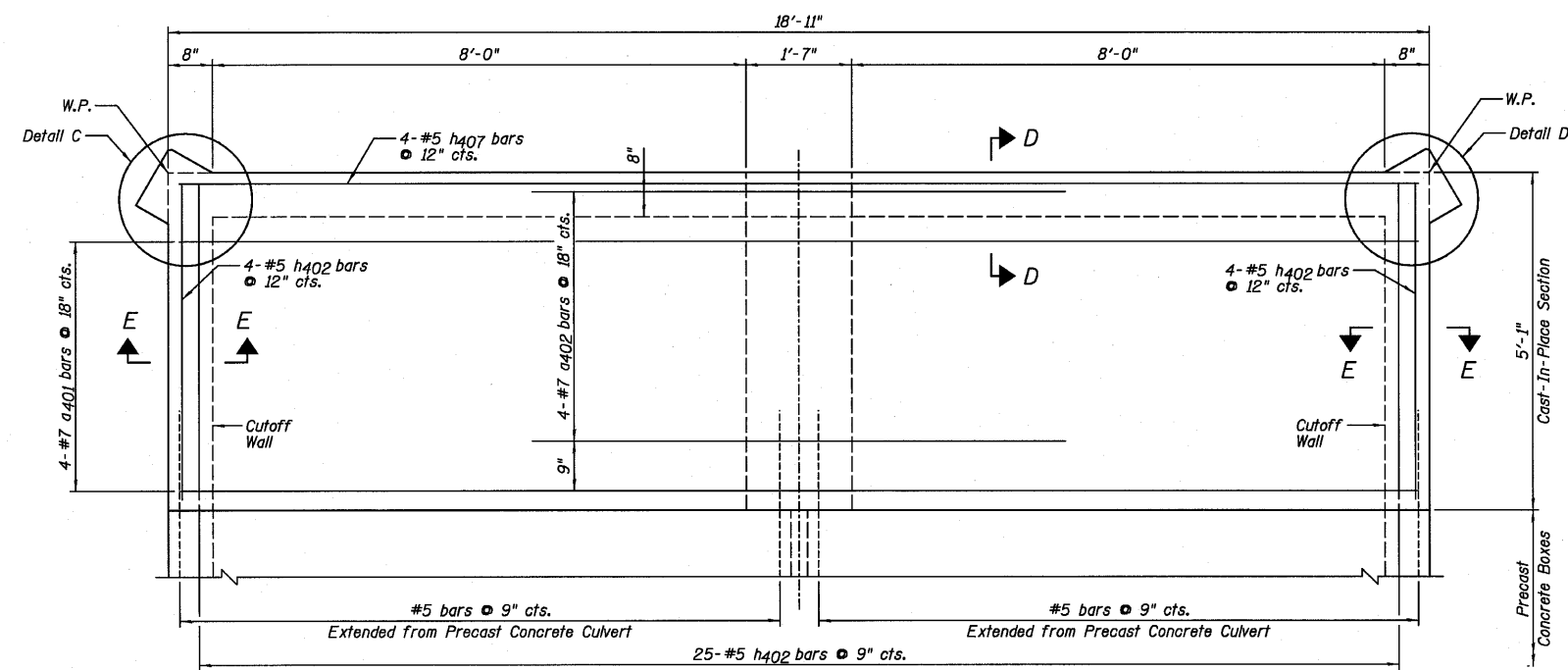
TOP MAT OF REINFORCEMENT PLAN



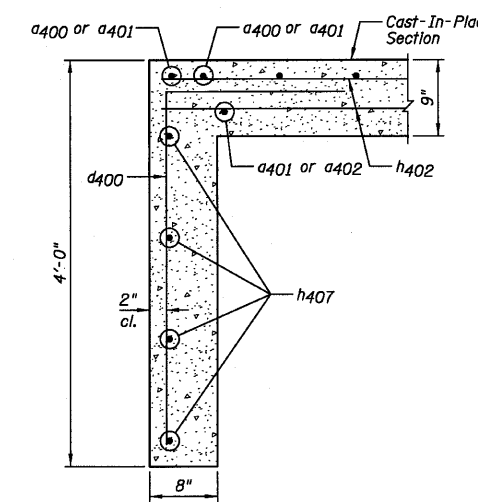
DETAIL C



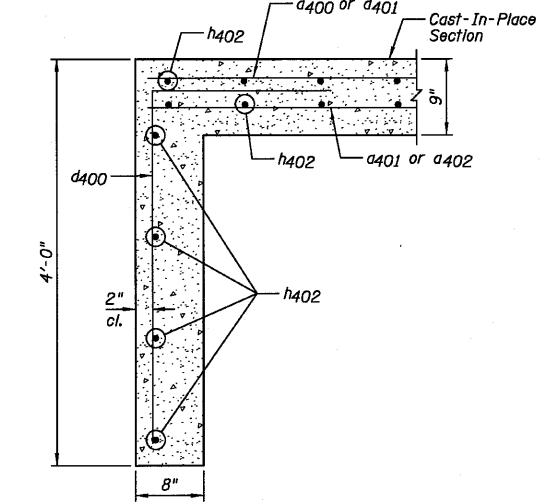
DETAIL D



BOTTOM MAT OF REINFORCEMENT PLAN



SECTION D-D



SECTION E-E

NOTES:

- 1.) For Bill of Material, see Sheet F.3.
- 2.) W.P. denotes Working Point.

NORTH CAST-IN-PLACE  
BOTTOM SLAB PLAN  
AND SECTIONS  
STRUCTURE NO. 038-2549

DESIGNED	SDH
CHECKED	JML
DRAWN	JWK/DJM
CHECKED	MSW

DATE 08/04/10

Farnsworth GROUP, INC. 2709 McGraw Drive Bloomington, Illinois 61704 309/663-8435, 309/663-1571 fax	SHEET NO. F5	F.A.P. RTE.	SECTION	COUNTY	TOTAL SHEETS	SHEET NO.
	10 SHEETS	681	*	FORD/IROQUOIS	146	108
		FED. ROAD DIST. NO.		ILLINOIS FED. AID PROJECT		
				CONTRACT NO. 66880		

\* 116 BR/L116 BR, (BR-2)BR, I & BR-31

24-8271