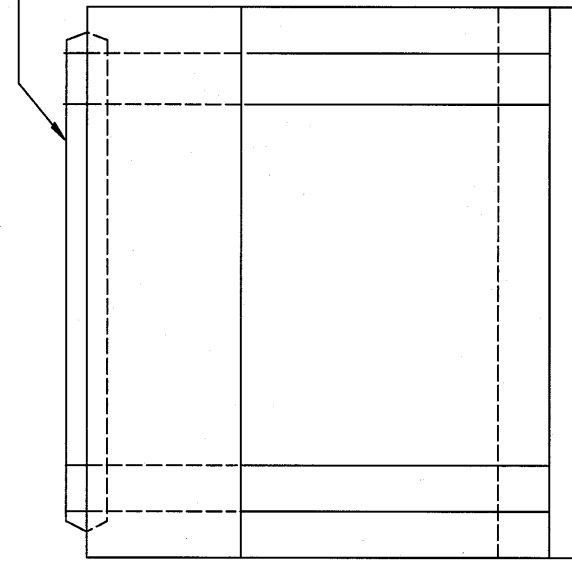
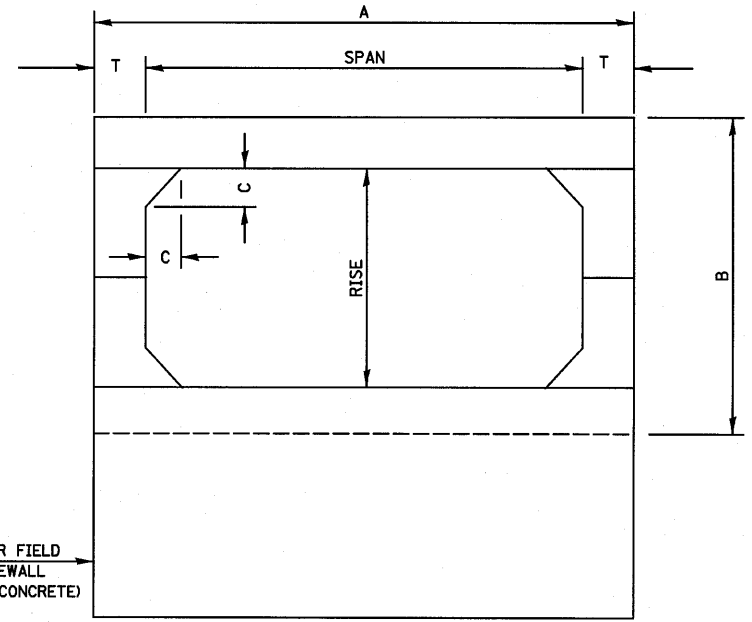


**SIDE VIEW**

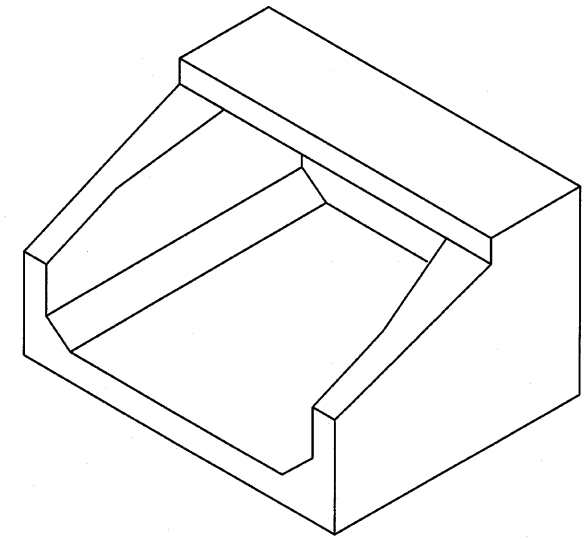
END CONNECTION TO FIT  
 PRECAST BOX CULVERT  
 (BELL OR SPIGOT MAY BE  
 OMITTED WHEN COLLARING  
 TO AN EXISTING BOX OR  
 HEADWALL)



**PLAN**



**END VIEW**



**ISOMETRIC VIEW**

SPAN X RISE	T (INCHES)	A (FT.-IN.)	B (FT.-IN.)	C (INCHES)	E (FT.-IN.)	F (FT.-IN.)	G (FT.-IN.)	H (FT.-IN.)	SLOPE
2' X 2'	4	2 - 8	2 - 8	4	3 - 0	3 - 0	1 - 0	1 - 0	3 : 1
3' X 2'	4	3 - 8	2 - 8	4	3 - 0	3 - 0	1 - 0	1 - 0	3 : 1
3' X 3'	4	3 - 8	3 - 8	4	2 - 0	4 - 0	1 - 8	1 - 4	3 : 1
4' X 2'	5	4 - 10	2 - 10	5	3 - 0	3 - 0	1 - 0	1 - 0	3 : 1
4' X 3'	5	4 - 10	3 - 10	5	2 - 0	4 - 0	1 - 8	1 - 4	3 : 1
4' X 4'	5	4 - 10	4 - 10	5	2 - 0	4 - 0	2 - 0	2 - 0	2 : 1
5' X 2'	6	6 - 0	3 - 0	6	3 - 0	3 - 0	1 - 0	1 - 0	3 : 1
5' X 3'	6	6 - 0	4 - 0	6	2 - 0	4 - 0	1 - 8	1 - 4	3 : 1
5' X 4'	6	6 - 0	5 - 0	6	2 - 0	4 - 0	2 - 0	2 - 0	2 : 1
5' X 5'	6	6 - 0	6 - 0	6	4 - 0	3 - 0	3 - 0	2 - 0	2 : 1
6' X 2'	7	7 - 2	3 - 2	7	3 - 0	3 - 0	1 - 0	1 - 0	3 : 1
6' X 3'	7	7 - 2	4 - 2	7	2 - 0	4 - 0	1 - 8	1 - 4	3 : 1
6' X 4'	7	7 - 2	5 - 2	7	2 - 0	4 - 0	2 - 0	2 - 0	2 : 1
6' X 5'	7	7 - 2	6 - 2	7	4 - 0	3 - 0	3 - 0	2 - 0	2 : 1
7' X 3'	8	8 - 4	4 - 4	8	4 - 0	1 - 8	1 - 4	1 - 4	3 : 1
7' X 4'	8	8 - 4	5 - 4	8	4 - 0	2 - 0	2 - 0	2 - 0	2 : 1
7' X 5'	8	8 - 4	6 - 4	8	4 - 0	3 - 0	2 - 0	2 - 0	2 : 1
8' X 3'	8	9 - 4	4 - 4	8	4 - 0	1 - 8	1 - 4	1 - 4	3 : 1
8' X 4'	8	9 - 4	5 - 4	8	4 - 0	2 - 0	2 - 0	2 - 0	2 : 1
8' X 5'	8	9 - 4	6 - 4	8	4 - 0	3 - 0	2 - 0	2 - 0	2 : 1
9' X 3'	9	10 - 6	4 - 6	9	4 - 0	1 - 8	1 - 4	1 - 4	3 : 1
9' X 4'	9	10 - 6	5 - 6	9	4 - 0	2 - 0	2 - 0	2 - 0	2 : 1
9' X 5'	9	10 - 6	6 - 6	9	4 - 0	3 - 0	2 - 0	2 - 0	2 : 1
10' X 4'	10	11 - 8	5 - 9	10	4 - 0	2 - 0	2 - 0	2 - 0	2 : 1
10' X 5'	10	11 - 8	6 - 8	10	4 - 0	3 - 0	2 - 0	2 - 0	2 : 1

**PRECAST CONCRETE BOX CULVERT END SECTION**