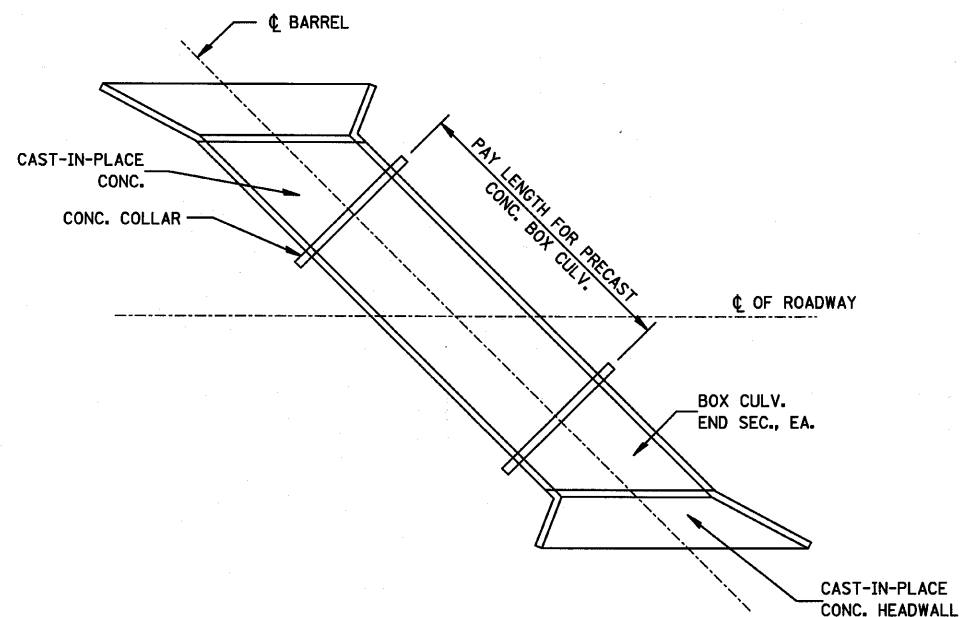


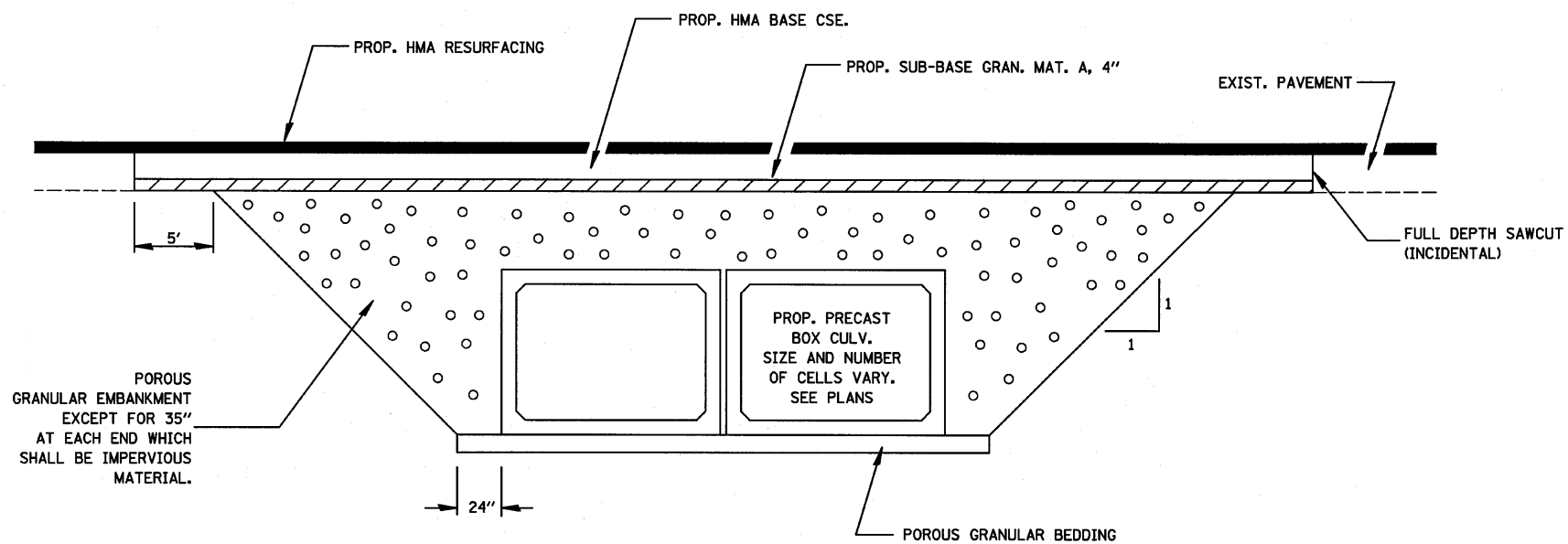
PAY LENGTH FOR PRECAST CONCRETE BOX CULVERT AT RIGHT ANGLES WITH ROADWAY

N.T.S.



PAY LENGTH FOR PRECAST CONCRETE BOX CULVERT SKEWED WITH ROADWAY

N.T.S.



SECTION THROUGH PRECAST BOX CULVERT

FILE NAME = #FILE#	USER NAME = #USER#	DESIGNED - JML	REVISED -	STATE OF ILLINOIS DEPARTMENT OF TRANSPORTATION	DETAILS			F.A.P. RTE.	SECTION	COUNTY	TOTAL SHEETS	SHEET NO.
		DRAWN - DJM	REVISED -		681	*	FORD/IROQUOIS	146	118			
		CHECKED - MSW	REVISED -		CONTRACT NO. 66880							
		DATE - 08/04/10	REVISED -		SCALE:	SHEET NO.	OF SHEETS	STA.	TO STA.	FED. ROAD DIST. NO.	ILLINOIS FED. AID PROJECT	