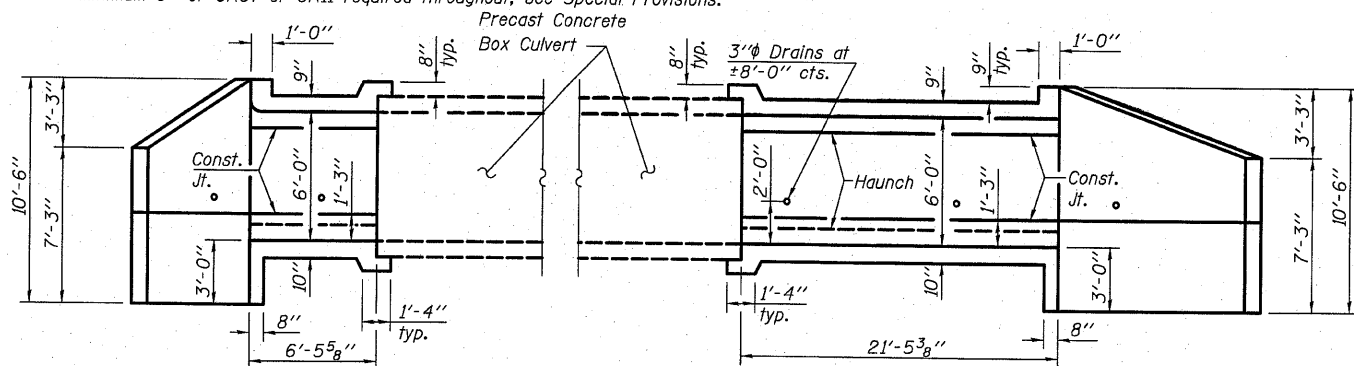


STATE OF ILLINOIS
DEPARTMENT OF TRANSPORTATION

GENERAL NOTES

- ① Precast Concrete Box Culvert sections shall conform to the requirements of Article 540.06 of the Standard Specifications and the applicable requirements of AASHTO M 259.
- ② Reinforcement bars shall conform to the requirements of ASTM A 706 Gr 60. See Special Provisions.
- ③ Lifting holes shall be filled with concrete plugs and mastic after box sections are in place.
- ④ Fill space between boxes with class SI Concrete in accordance with Article 540.06 of the Standard Specifications. Cost included with Precast Concrete Box Culvert 9'x6'.
- ⑤ Porous Granular Embankment shall extend the entire length of the box, maintaining 2' of earth above the Porous Granular Embankment outside of the roadway shoulders.
- ⑥ Minor grading will be required in order to align the existing creek with the proposed structure. All grading should be completed within ROW as directed by the Engineer in the field. Excavation shall be paid for as Earth Excavation and backfill shall be paid for as Furnished Excavation, see Roadway Plans.
- ⑦ Excavation and placement of 1'-0" bedding material may be omitted if competent shale is encountered, minimum 6" of CA07 or CA11 required throughout, see Special Provisions.

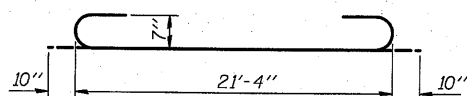


SHORT EXTERIOR WALL ELEVATION

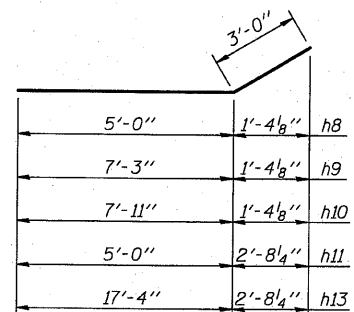
(Dimensions shown are parallel to ϕ Culvert)

LONG EXTERIOR WALL ELEVATION

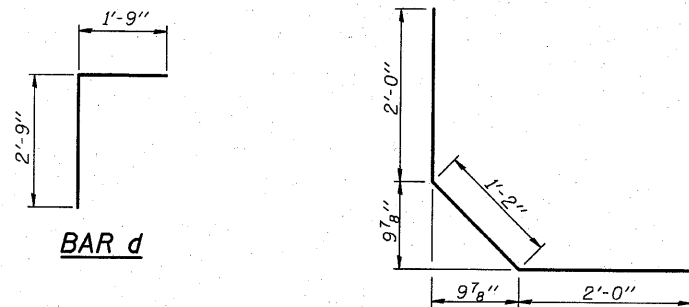
(Dimensions shown are parallel to ϕ Culvert)



BAR a



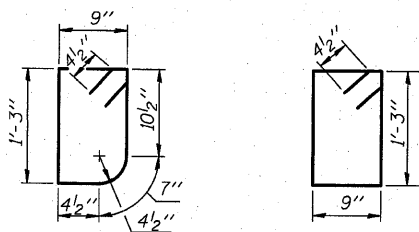
BARS h8, h9, h10, h11 & h13



BAR d

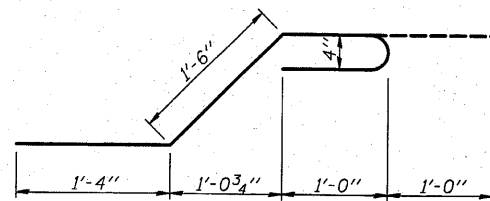
BAR d1

BARS h12

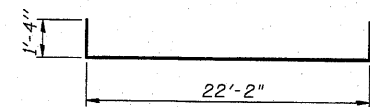


BAR s

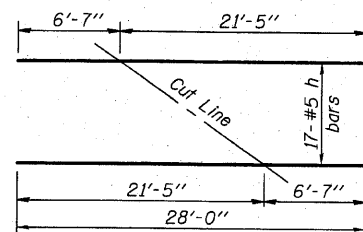
BAR s1



BAR x

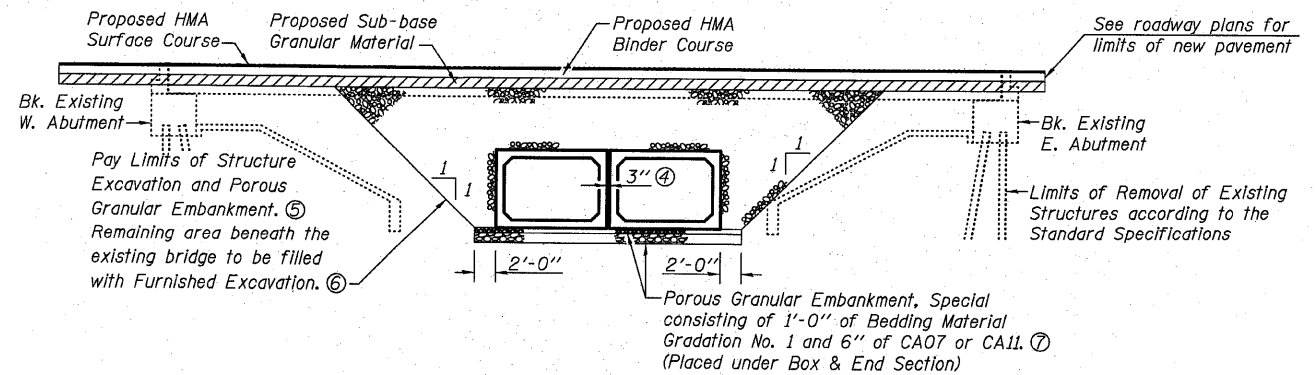


BAR x1

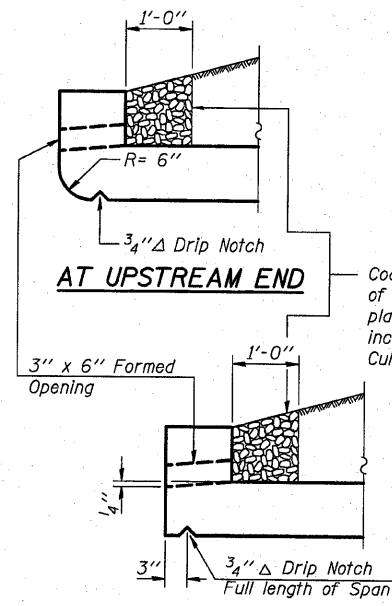


CUTTING DIAGRAM h BARS

Order h Bars full length. Cut bars as shown and use remainder of bars in opposite face of slab.



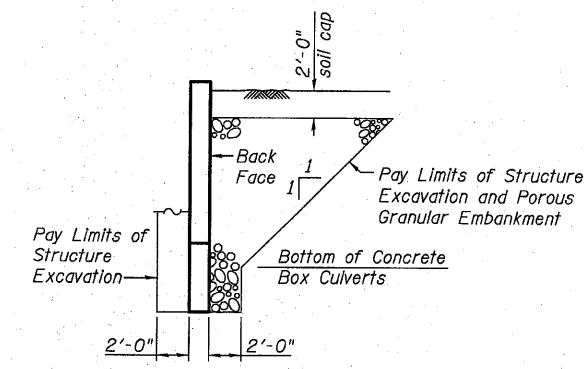
DOUBLE 9' x 6' PRECAST CONCRETE BOX CULVERT SECTION THRU BARREL



AT UPSTREAM END


AT DOWNSTREAM END

DRAIN DETAIL



SECTION THRU WINGWALL

**GENERAL NOTES & STRUCTURE DETAILS
STRUCTURE NO. 032-2020**

 QATES ASSOCIATES Consulting Engineers	Eastport Business Center 1 100 Lanter Court, Suite 1 Collinsville, Illinois 62234 618-345-2200 Design Firm License No. 184.001115		DESIGNED JAD CHECKED NEL DRAWN JAD CHECKED NEL	
	SHEET NO. 2 4 SHEETS	F.A.P. RTE. 623	SECTION (0) BR	COUNTY GRUNDY
CONTRACT NO. 66913 ILLINOIS FED. AID PROJECT				