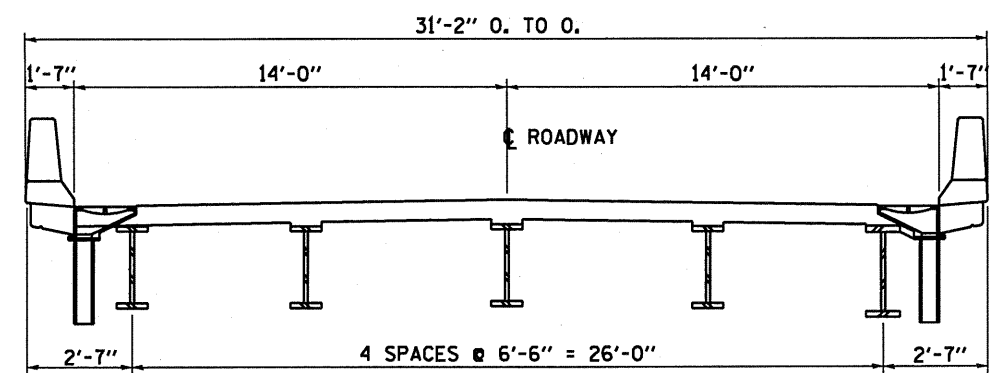
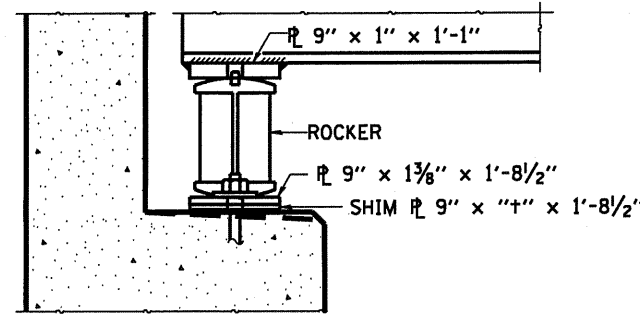
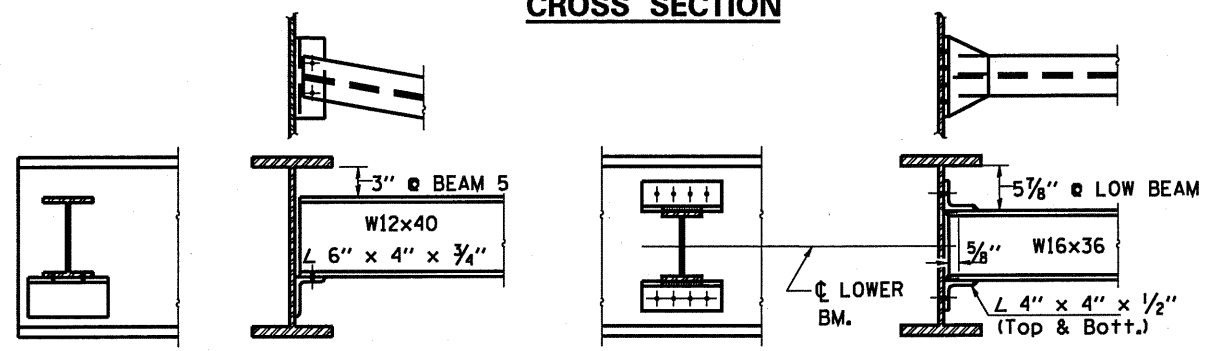


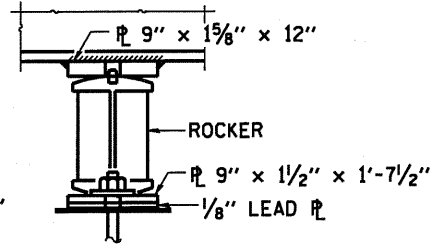
**FRAMING PLAN**  
ALL BEAMS ARE 36WF 160



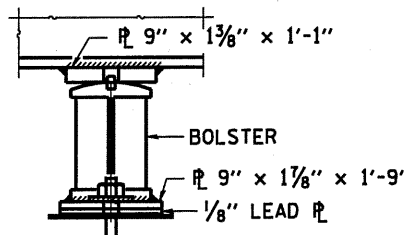
**CROSS SECTION**



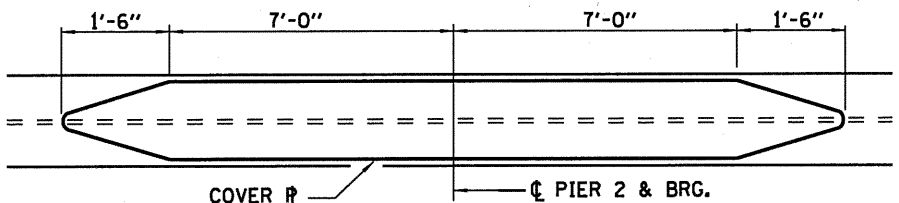
**SECTION AT ABUTMENTS**



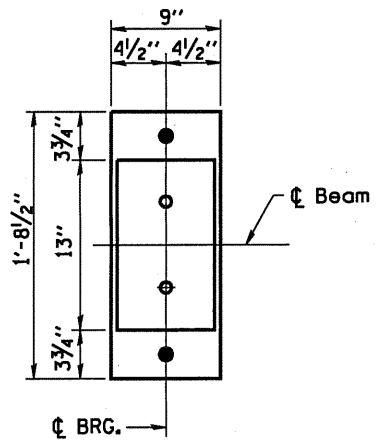
**PIER 1 & 3**



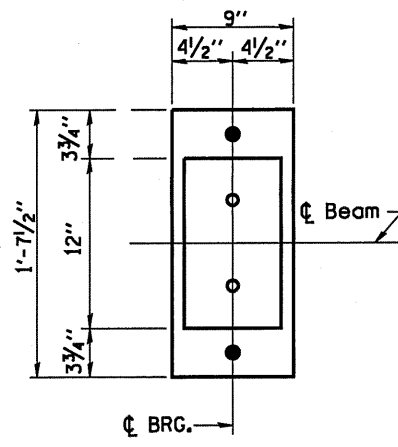
**PIER 2**



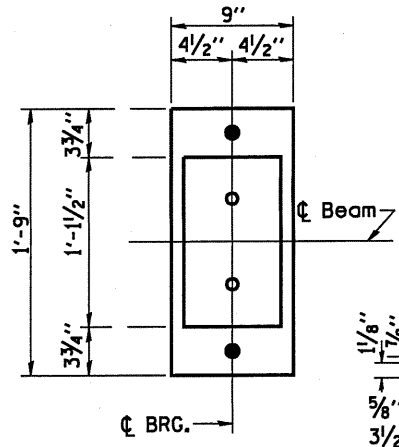
**DETAIL OF COVER PLATES**



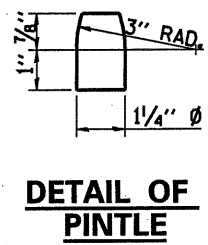
**PLAN**



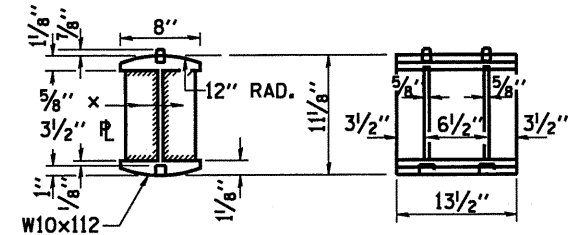
**PLAN**



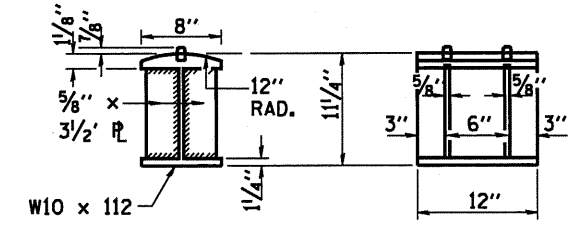
**PLAN**



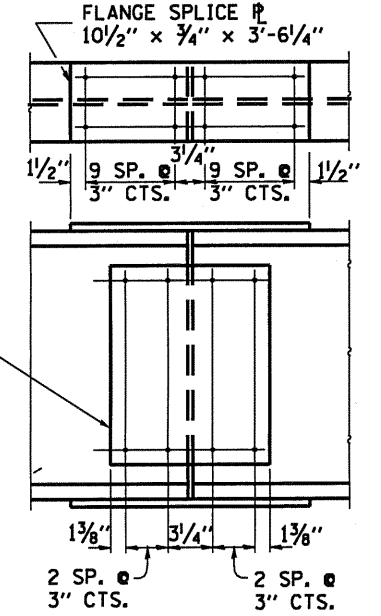
**DETAIL OF PINTLE**



**DETAIL OF ROCKER AT PIERS 1 & 3 AND ABUTMENTS**



**DETAIL OF BOLSTER AT PIER 2**



**DETAIL OF SPLICE**

**STRUCTURAL STEEL DETAILS**  
FAS ROUTE 244  
(BACKBONE ROAD)  
SECTION (06-4HB-1)BP  
BUREAU COUNTY  
STA. 2289 + 07.63 (FAI 80)  
S.N. 006-0116

FILE NAME *	USER NAME * woodshankr1	DESIGNED - RON WOODSHANK	REVISED -	STATE OF ILLINOIS DEPARTMENT OF TRANSPORTATION	EXISTING STRUCTURE PLANS 006-0007 (EB) & SN 006-0008 (WB)	F.A.S. RTE. 244	SECTION 106-4HB-1BP	COUNTY BUREAU	TOTAL SHEETS 10	SHEET NO. 10
CONTRACT NO. 86A41	366A41-deta1.s.dgn	DRAWN - RON WOODSHANK	REVISED -			SCALE: _____	SHEET NO. 2 OF 2 SHEETS	ILLINOIS	CONTRACT NO. 86A41	
PLOT SCALE = 100.0000 / IN.		CHECKED -	REVISED -			STA. _____ TO STA. _____				
PLOT DATE = Aug 23, 2010 - 08:24:29 AM		DATE -	REVISED -							