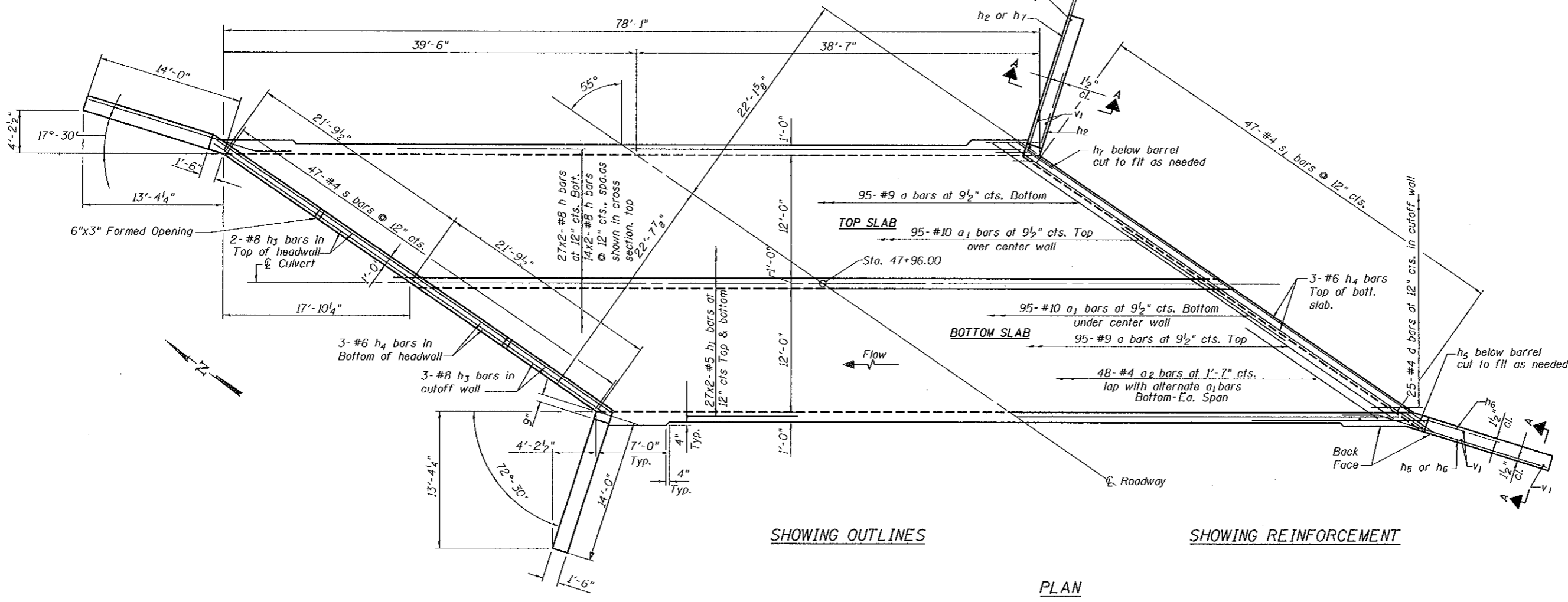
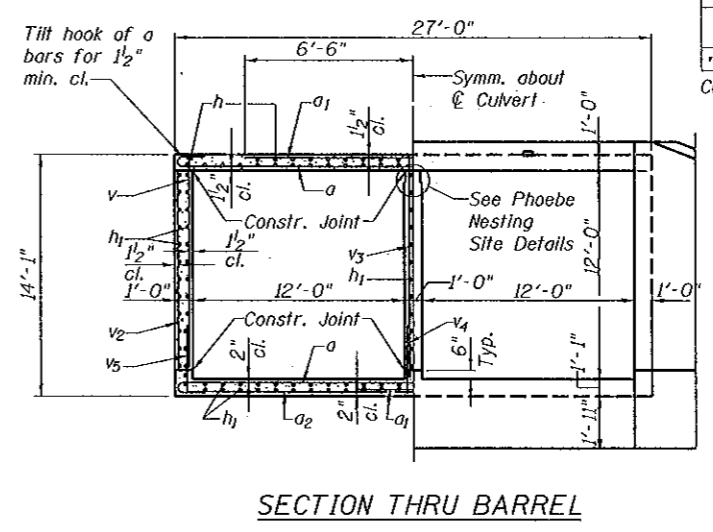
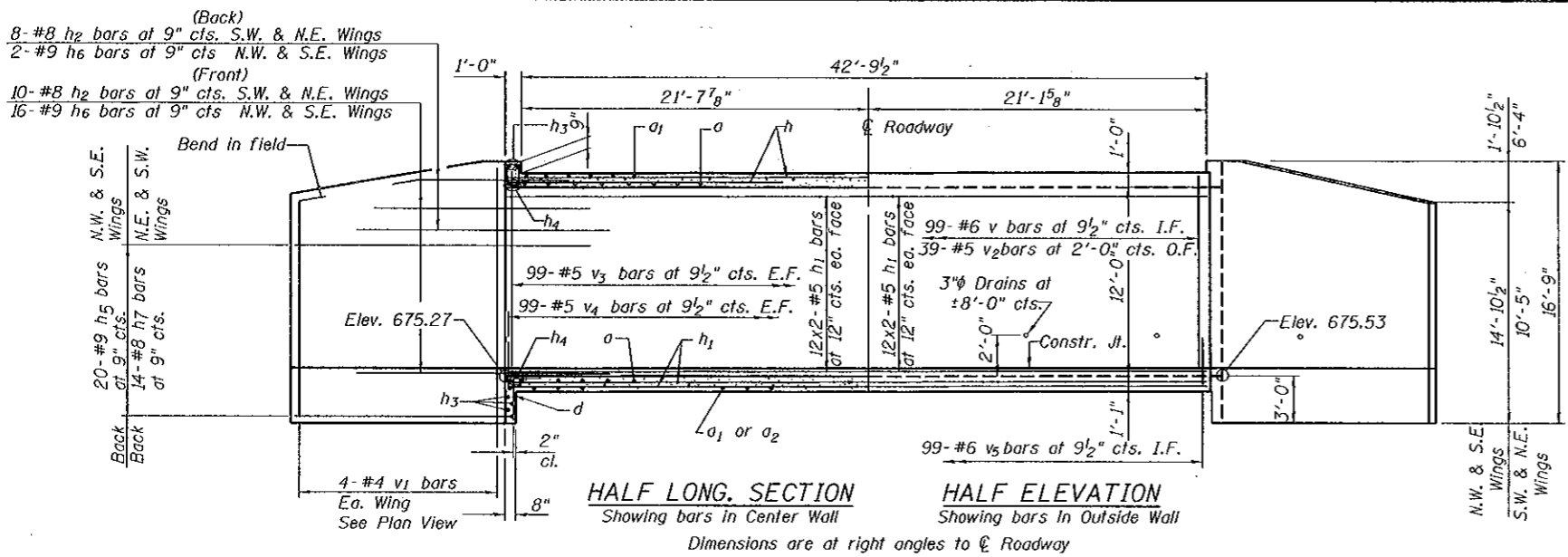


Contract #70016



LEGEND
I.F. = Inside Face
O.F. = Outside Face
E.F. = Each Face

Min Bar Lap	
#5	2'-3"
#6	2'-0"
#8	4'-6"

SHOWING OUTLINES

SHOWING REINFORCEMENT

NOTES

A distance of half the length of the wingwall but not less than six feet of the barrel shall be poured monolithically with the wingwalls.
Reinforcement bars shall conform to the requirements of AASHTO M-31 or M322, Grade 60.
Bars indicated thus 12 x 4-#5 etc., indicates 12 lines of bars with 4 lengths per line.
All construction joints shall be bonded.

REINFORCEMENT PLAN AND SECTIONS

CH 10 / EAST LYNN ROAD OVER TRIBUTARY TO FOUNTAIN CREEK
F.A.S. ROUTE 331 - SECTION Z-BR
VERMILION COUNTY
STATION 47+96.00
STRUCTURE NO. 092-2039

CHAMPAIGN, ILLINOIS
CHICAGO, ILLINOIS
EVANSVILLE, INDIANA
INDIANAPOLIS, INDIANA
KENOSHA, WISCONSIN
SPRING GREEN, WISCONSIN



REVISIONS	NAME	DATE

NOTE: DIMENSIONAL DATA IS NOT TO BE OBTAINED BY SCALING ANY PORTION OF THIS DRAWING.

DESIGNED BY: S.M.M. PROJECT NO. 102313
DRAWN BY: M.E.M. DATE: 8/05
CHECKED BY: M.M.
APPROVED BY: XXX
ACTIVITY: INITIALS