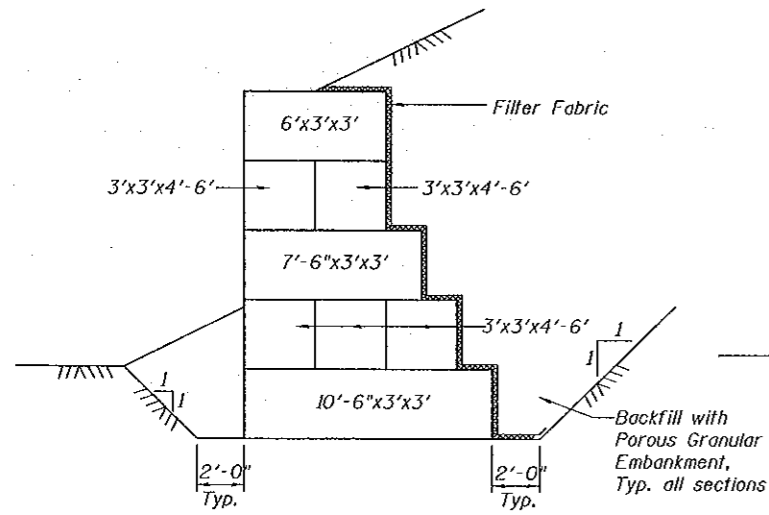


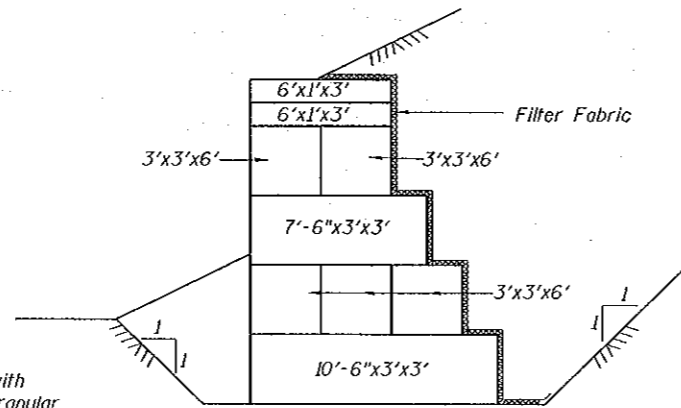
ROUTE NO. F.A.S. 331	SECTION Z-BR	COUNTY Vermilion	TOTAL SHEETS 49	SHEET NO. 23
FED. ROAD DIST. NO. 7		PLANES	FED. AID PROJECT	

SHEET NO.
SHEETS

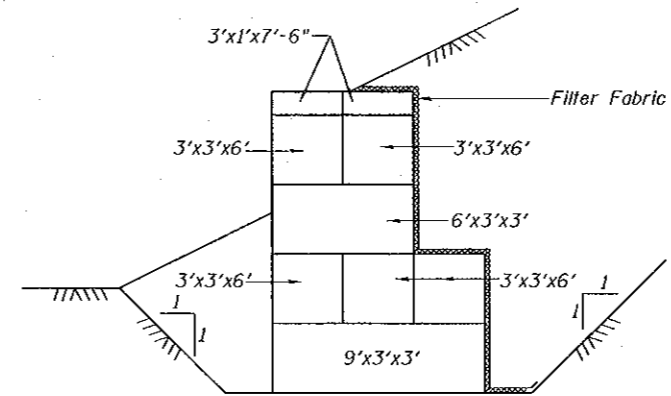
Contract #70016



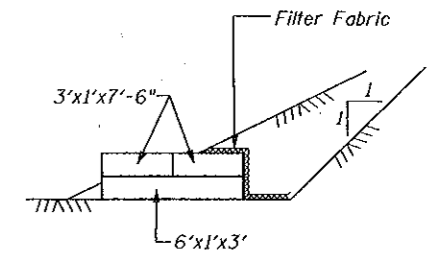
SECTION A



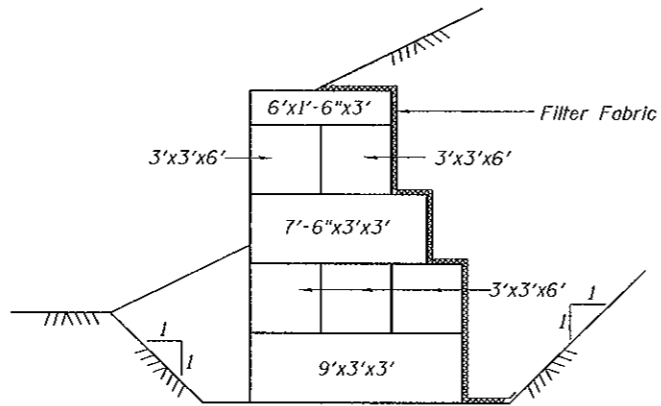
SECTION C



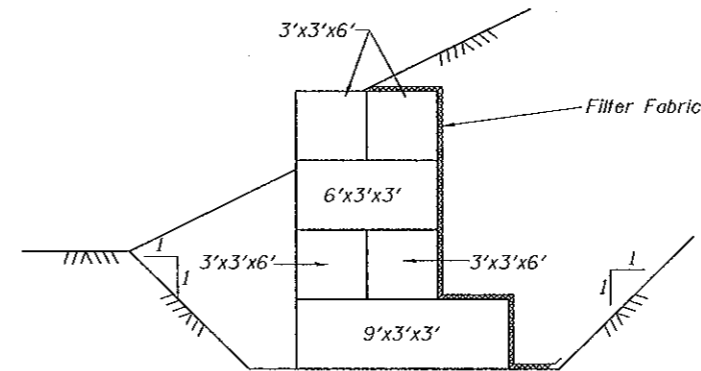
SECTION F



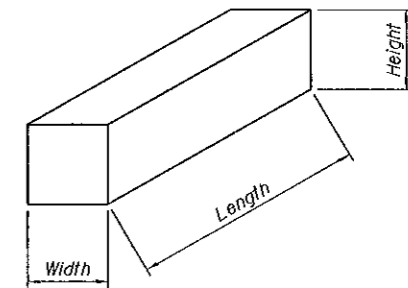
SECTION I



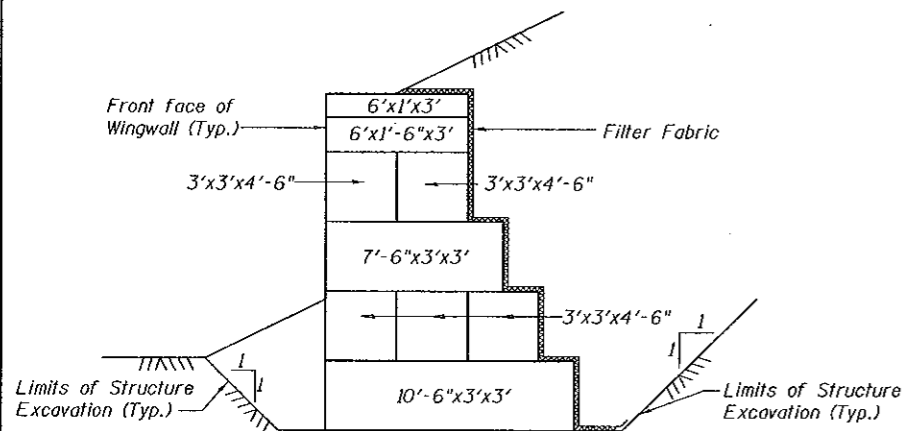
SECTION D



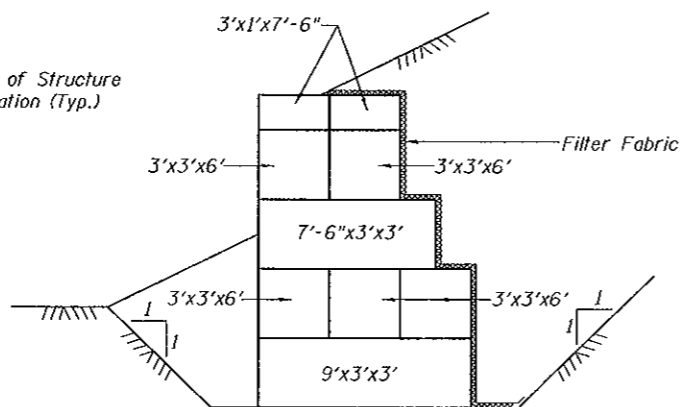
SECTION G



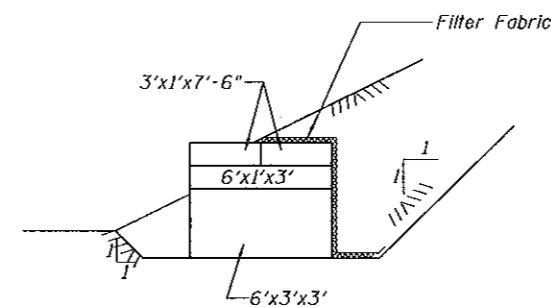
**Dimensions are
Width x Height x Length



SECTION B



SECTION E



SECTION H

GABION SECTIONS

CH 10 / EAST LYNN ROAD OVER
TRIBUTARY TO FOUNTAIN CREEK
F.A.S. ROUTE 331 - SECTION Z-BR
VERMILION COUNTY
STATION 47+96.00
STRUCTURE NO. 092-2039

CHAMPAIGN, ILLINOIS
CHICAGO, ILLINOIS
EVANSVILLE, INDIANA
INDIANAPOLIS, INDIANA
KENOSHA, WISCONSIN
SPRING GREEN, WISCONSIN

REVISIONS		DRAWING NUMBER
NAME	DATE	
		S-5

NOTE: DIMENSIONAL DATA IS NOT TO BE OBTAINED BY SCALING ANY PORTION OF THIS DRAWING.

DESIGNED BY: S.M.M. PROJECT NO: 102313
 DRAWN BY: M.E.W. DATE: 8/05
 CHECKED BY: M.M.
 APPROVED BY: XXX
 ACTIVITY: DETAILS