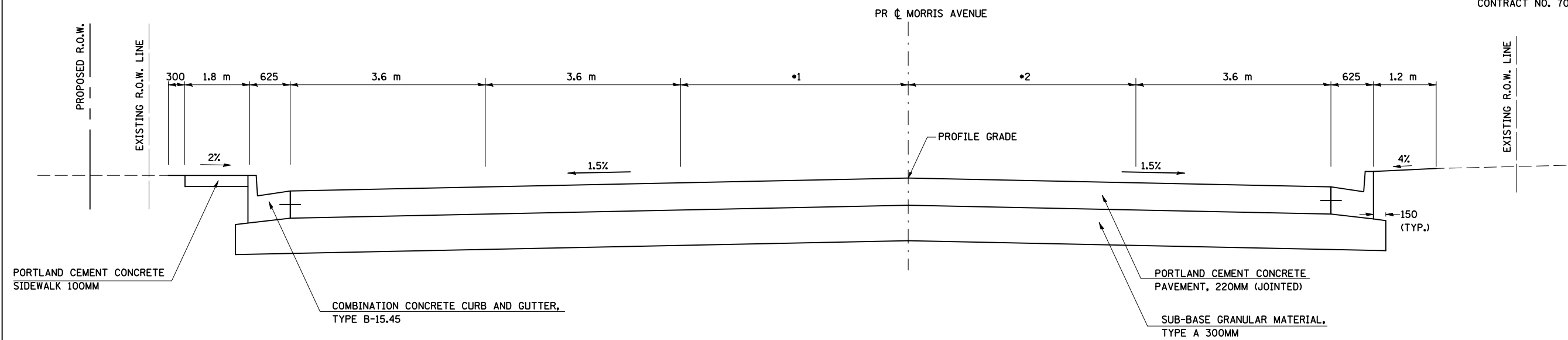


F.A.P. RTE.	SECTION	COUNTY	TOTAL SHEETS	SHEET NO.
704	(1)N&TS-1	McLEAN	497	27
STA.	N/A	TO STA.	N/A	
FED. ROAD DIST. NO.	ILLINOIS	FED. AID PROJECT		

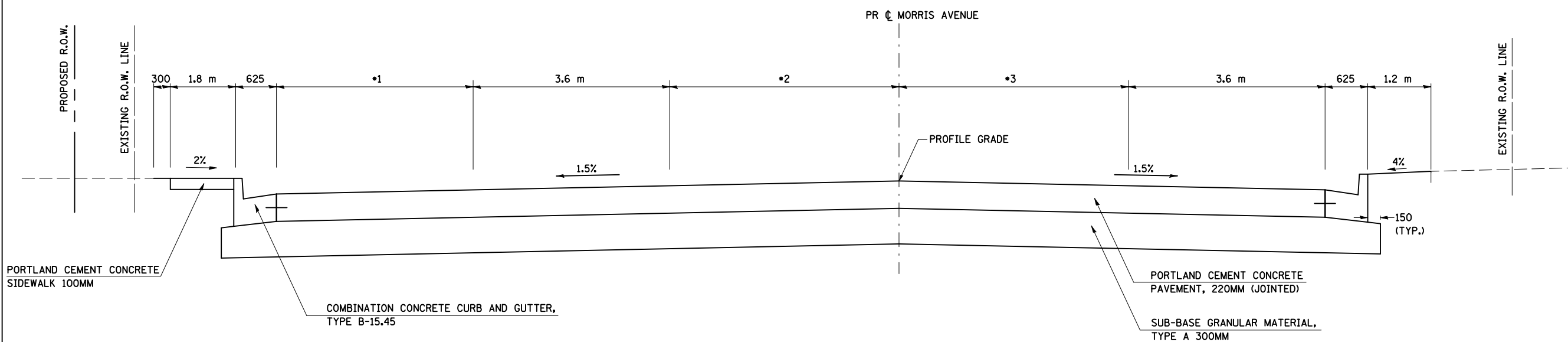
CONTRACT NO. 70514



- *1 VARIES FROM 7.825 m AT STA. 0+433.657 TO 5.066 m AT STA. 0+493.969
- *2 VARIES FROM 4.2 m AT STA. 0+455.986 TO 3.690 m AT STA. 0+493.969

**7 PROPOSED TYPICAL SECTION
MORRIS AVENUE**

STA. 0+433.657 TO STA. 0+493.969



- *1 VARIES FROM 3.6 m AT STA. 0+493.969 TO 0 m AT STA. 0+544.150
- *2 VARIES FROM 5.066 m AT STA. 0+493.969 TO 1.8 m AT STA. 0+544.150
- *3 VARIES FROM 3.690 m AT STA. 0+493.969 TO 2.844 m AT STA. 0+544.150

**8 PROPOSED TYPICAL SECTION
MORRIS AVENUE**

STA. 0+493.969 TO STA. 0+544.150

PLOT DATE = 8/2/2009
 FILE NAME = C:\Users\mcmorris\Documents\Projects\70514\MORRIS\70514.mxd
 PLOT SCALE = 1:125000
 USER NAME = cmc

ALL DIMENSIONS ARE IN MM
UNLESS OTHERWISE NOTED.

REVISIONS		ILLINOIS DEPARTMENT OF TRANSPORTATION
NAME	DATE	
		PROPOSED TYPICAL SECTIONS MORRIS AVENUE SHEET 4 OF 5
DATE 05-27-09		DRAWN BY SAM CHECKED BY PMH