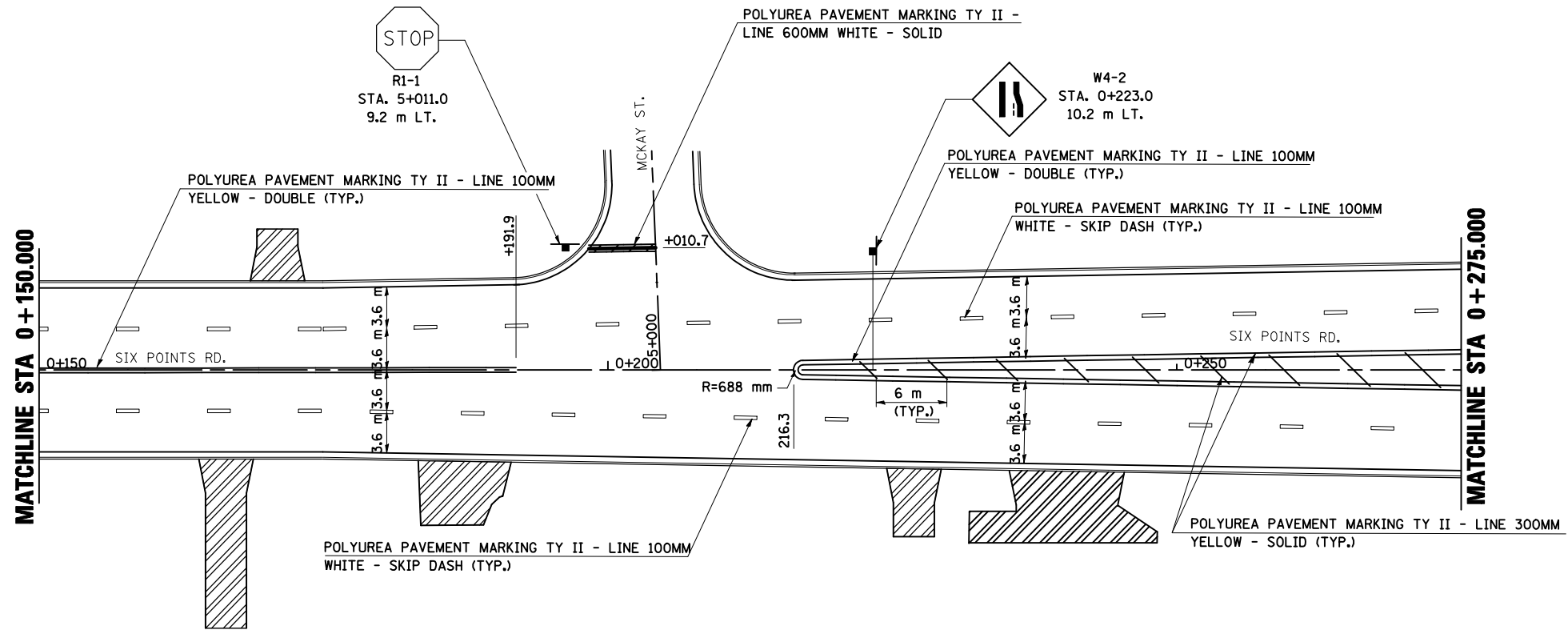
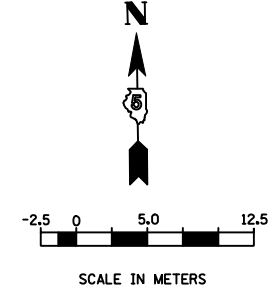
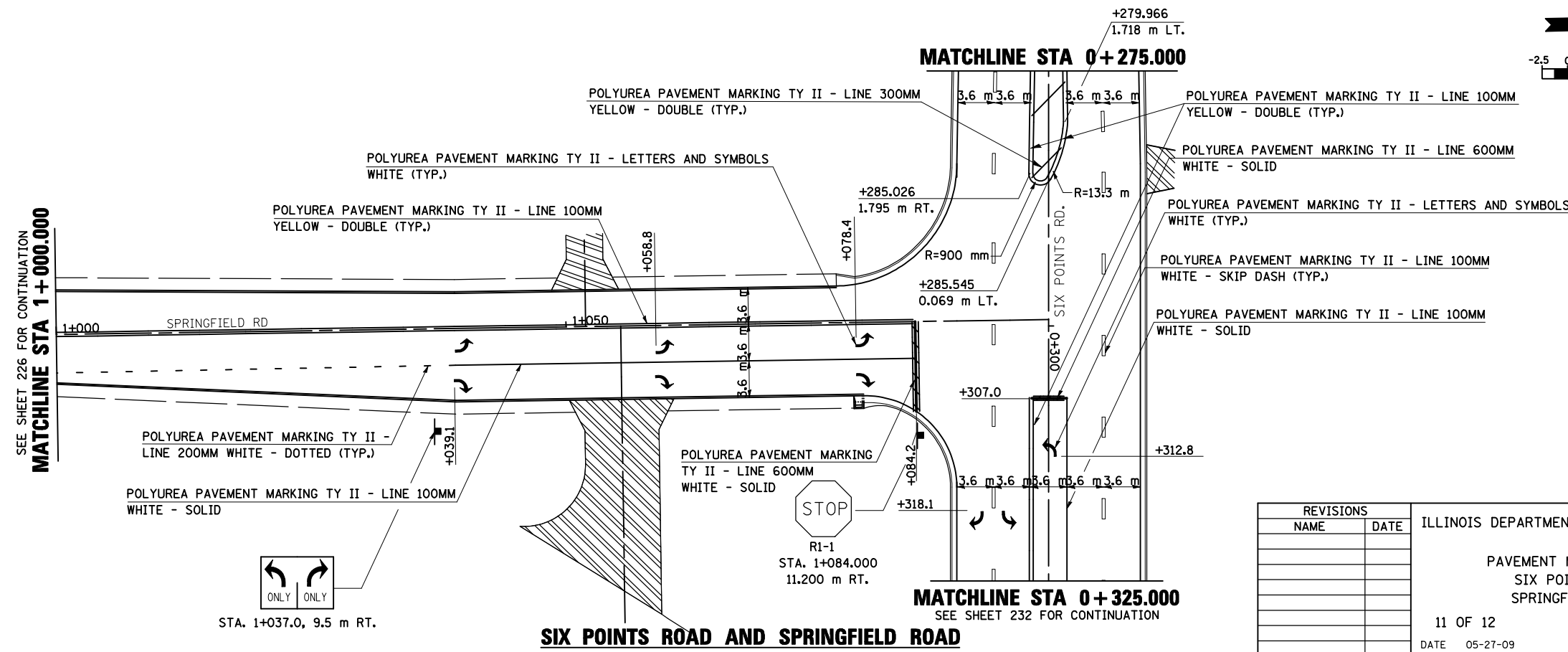


F.A.P. RTE.	SECTION	COUNTY	TOTAL SHEETS	SHEET NO.
704	(1) N & TS-1	McLEAN	497	236
STA. 0+150.000		TO STA. 0+325.000		
FED. ROAD DIST. NO.		ILLINOIS FED. AID PROJECT		

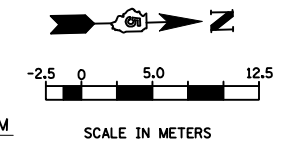
CONTRACT NO. 70514



SIX POINTS ROAD



SIX POINTS ROAD AND SPRINGFIELD ROAD



REVISIONS	
NAME	DATE

ILLINOIS DEPARTMENT OF TRANSPORTATION

PAVEMENT MARKING PLAN
SIX POINTS ROAD
SPRINGFIELD ROAD

11 OF 12

DATE 05-27-09

DRAWN BY SAM
CHECKED BY PMH