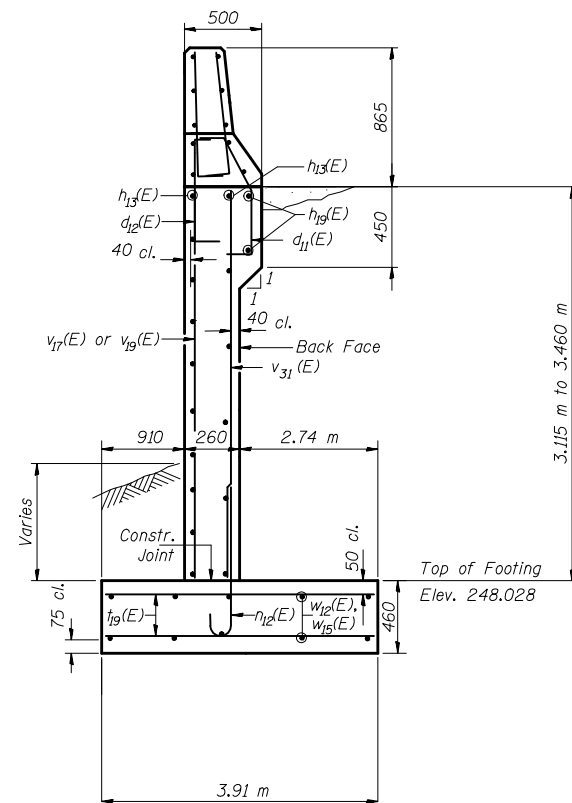
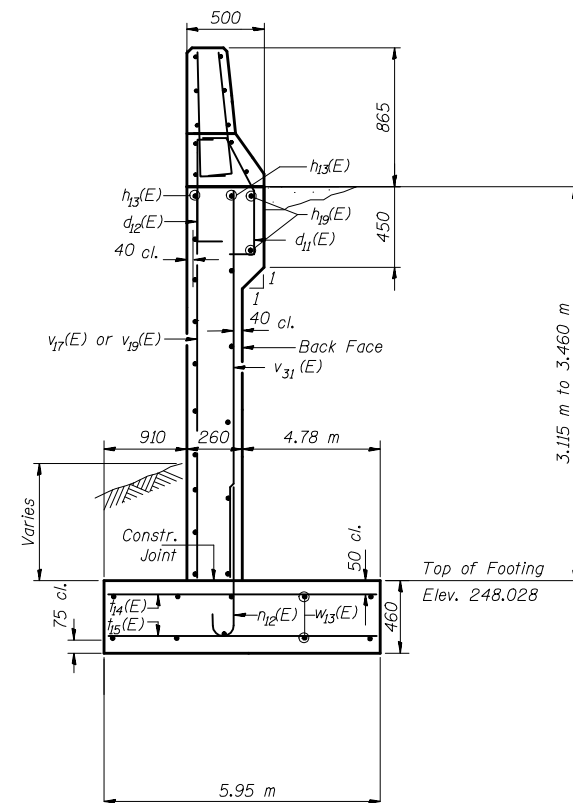


STATE OF ILLINOIS
DEPARTMENT OF TRANSPORTATION

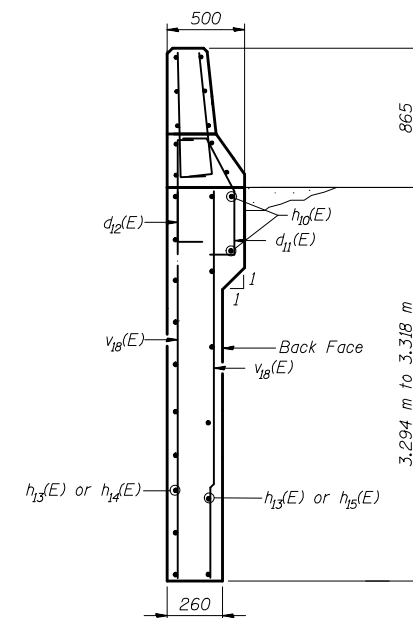
ROUTE NO.	SECTION	COUNTY	DATE	SHEET	SHEET NO. 7
F.A.P. 704	CDI	McLEAN	497	276	11 SHEETS
FED. ROAD DIST. NO.	ILLINOIS	FED. AID PROJECT	CONTRACT NO. 70514		



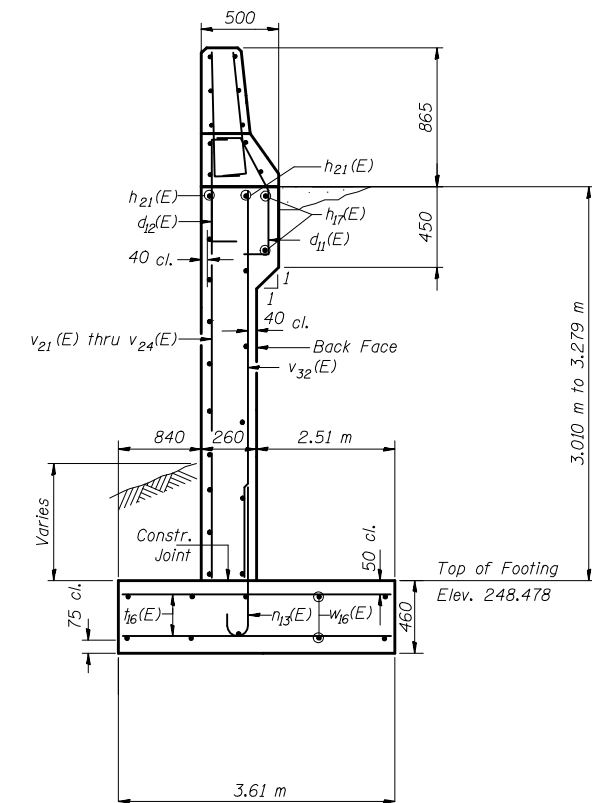
STATION 0+596.440 - 0+600.395
STATION 0+609.400 - 0+614.000



STATION 0+600.395 - 0+602.834
STATION 0+606.961 - 0+609.400



STATION 0+602.834 - 0+606.961



STATION 0+614.000 - 0+628.000



DESIGNED	JDA
CHECKED	WCT
DRAWN	MAC
CHECKED	WCT

DATE: 06-25-10

SECTIONS
RETAINING WALL ALONG SIX POINTS ROAD
F.A.P. ROUTE 704 SECTION (1) N&TS-1
McLEAN COUNTY
STATION 0+545.000 TO 0+635.000
STRUCTURE NO. 057-W001