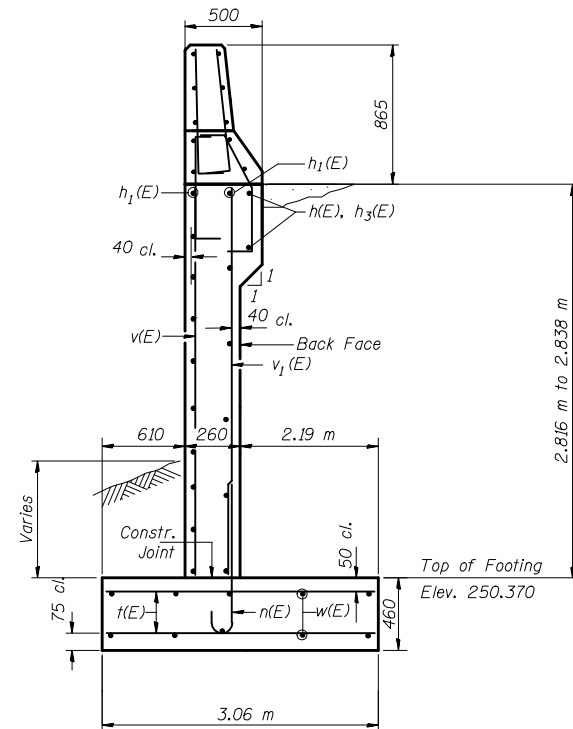
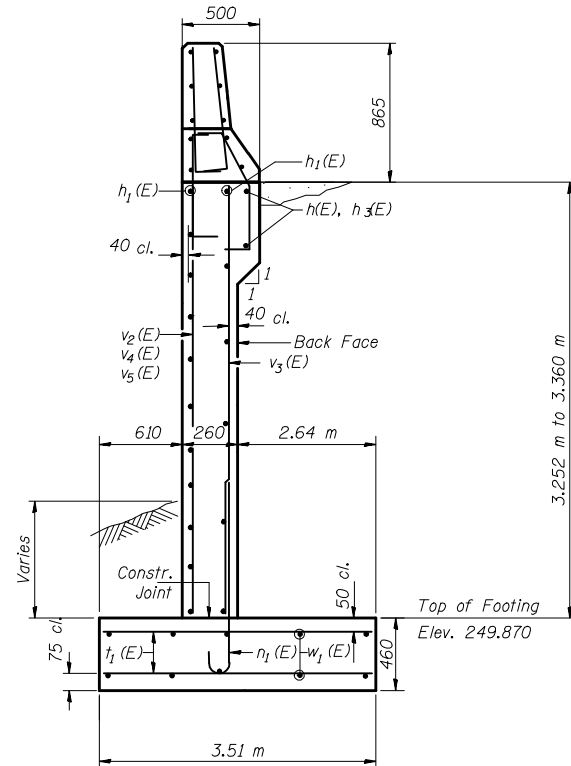


STATE OF ILLINOIS
DEPARTMENT OF TRANSPORTATION

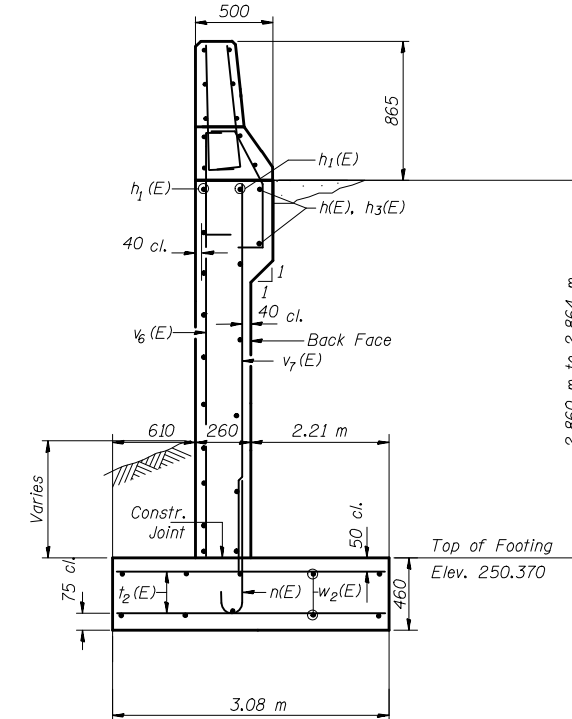
ROUTE NO.	SECTION	COUNTY	POST MILE	SHEET	SHEET NO. 4
F.A.P. 704	CDI	McLEAN	497	284	7 SHEETS
FED. ROAD DIST. NO.		ILLINOIS		FED. AID PROJECT	
CONTRACT NO. 70514					



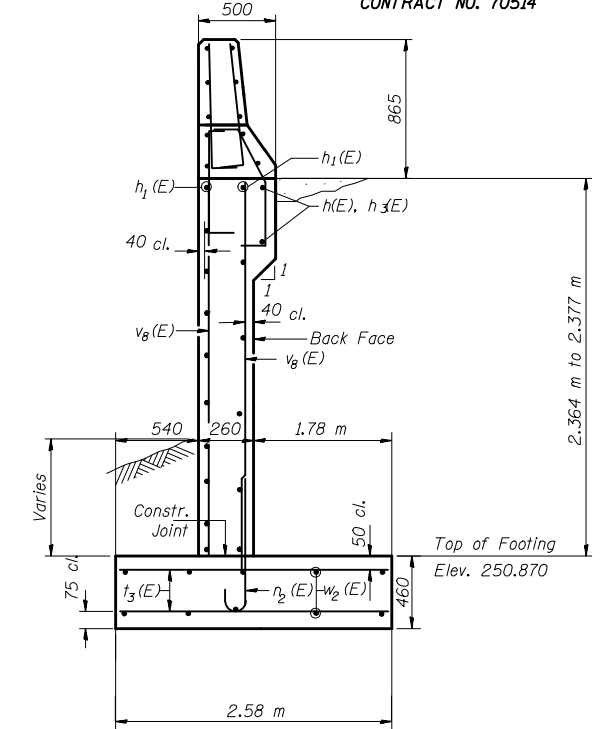
STATION 2+785.000 - 2+801.675



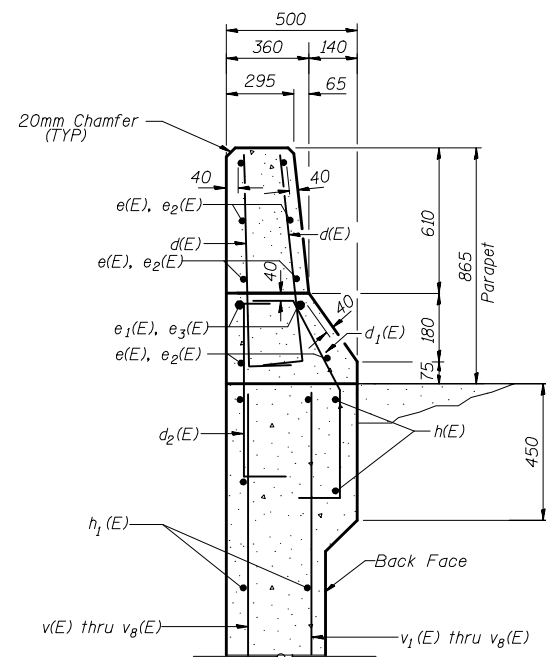
STATION 2+801.675 - 2+860.173



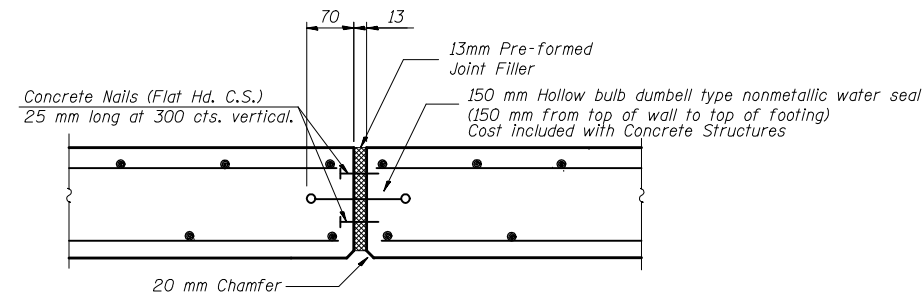
STATION 2+860.173 - 2+868.591



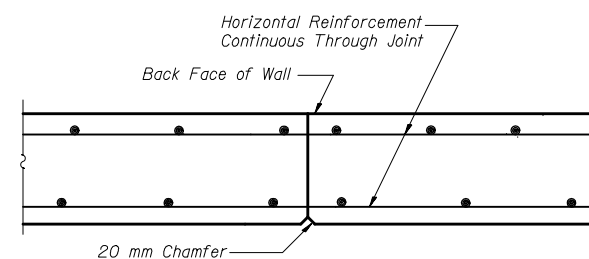
STATION 2+868.591 - 2+876.925



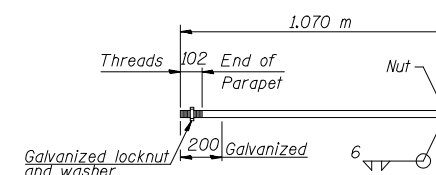
RAIL DETAIL



EXPANSION JOINT (TYPICAL)



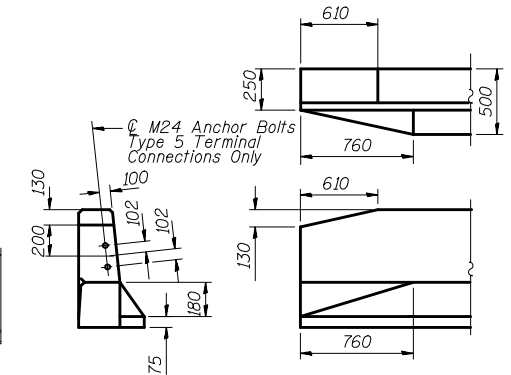
CONSTRUCTION JOINT (TYPICAL)



M24 ANCHOR BOLT

(Cost included with Concrete Structures)

Type 5 terminal connections only. West end of retaining wall, see Roadway Plans.



PARAPET RAIL END SECTION DETAILS

SECTIONS AND DETAILS
RETAINING WALL ALONG
W.B.L. VETERANS PARKWAY
F.A.P. ROUTE 704 SECTION (1) N&T-S-1
McLEAN COUNTY
STATION 2+785.000 TO 2+877.000
STRUCTURE NO. 057-W002



DESIGNED	Jda
CHECKED	WCT
DRAWN	mac
CHECKED	WCT

DATE: 06-25-10