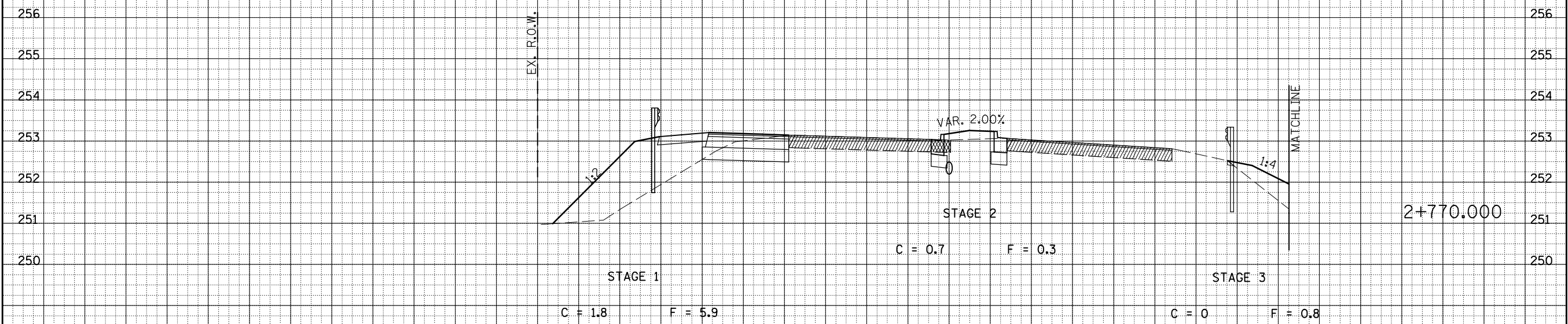


F.A.P. RTE.	SECTION	COUNTY	TOTAL SHEETS	SHEET NO.
704	(1)N & TS-1	MCLEAN	497	346
STA. 2+760.000 TO STA. 2+770.000				
FED. ROAD DIST. NO.			ILLINOIS FED. AID PROJECT	
CONTRACT NO. 70514				

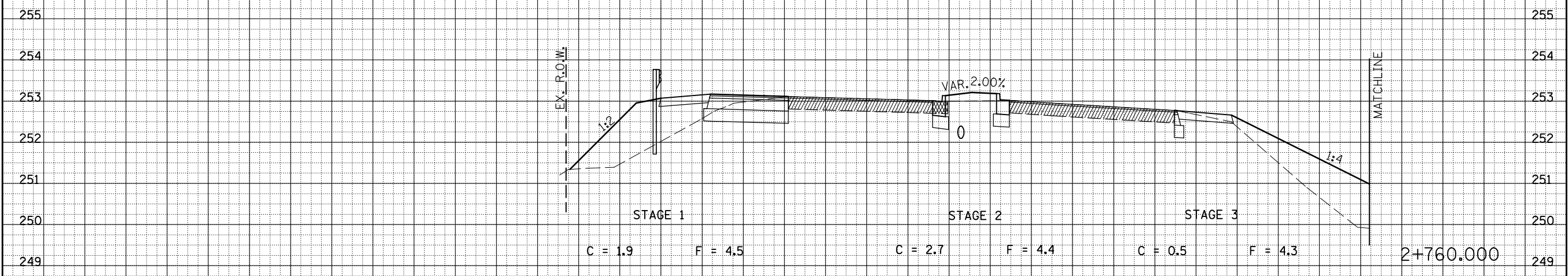
36 34 32 30 28 26 24 22 20 18 16 14 12 10 8 6 4 2 0 2 4 6 8 10 12 14 16 18 20 22 24 26 28 30 32 34 36

BY	DATE
FINAL SURVEY NOTE BOOK NO.	SURVEYED PLOTTED AREAS CHECKED



SEE GREENWOOD AVE  
CROSS SECTIONS

BY	DATE
ORIGINAL SURVEY NOTE BOOK NO.	SURVEYED PLOTTED AREAS CHECKED



HOR. = 1:100  
VER. = 1:50

36 34 32 30 28 26 24 22 20 18 16 14 12 10 8 6 4 2 0 2 4 6 8 10 12 14 16 18 20 22 24 26 28 30 32 34 36

VETERANS PARKWAY CROSS SECTIONS, STA. 2+760.000 TO STA. 2+770.000