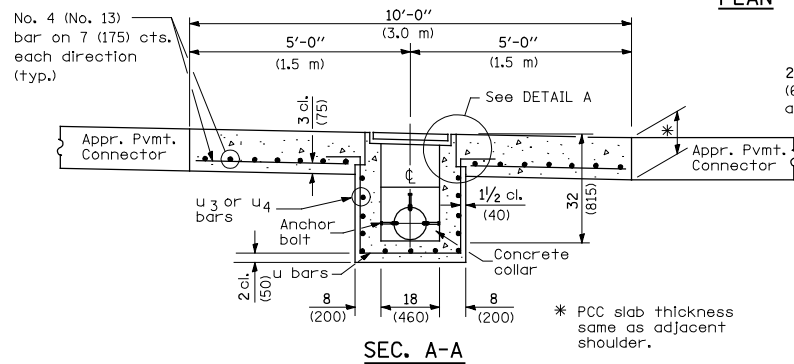
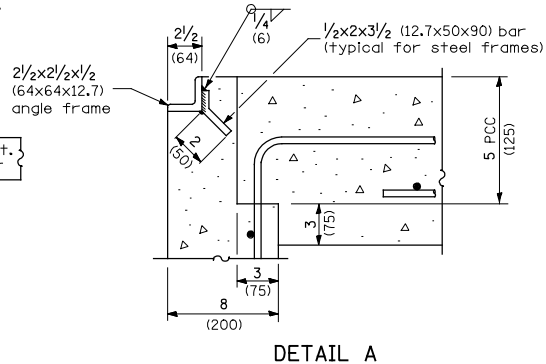


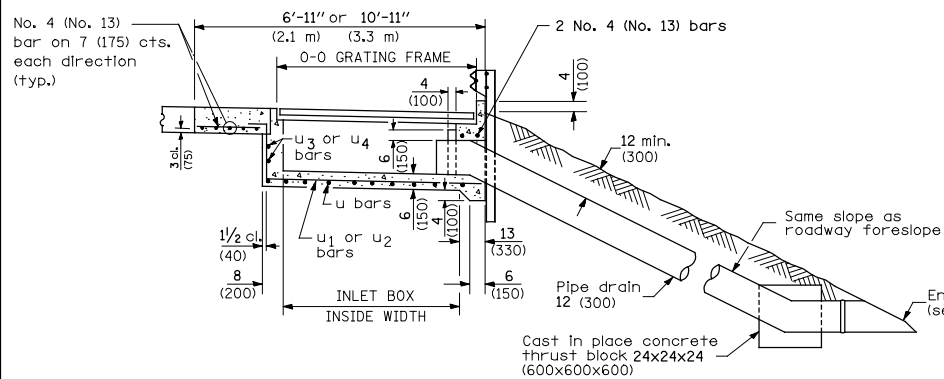
PLAN



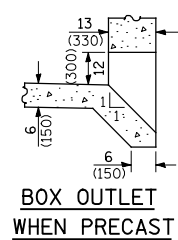
SEC. A-A



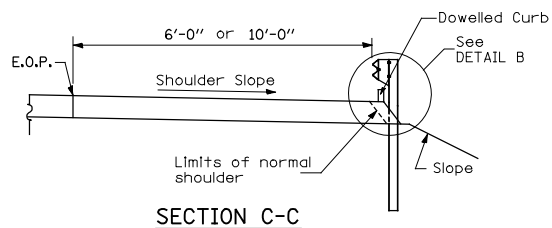
DETAIL A



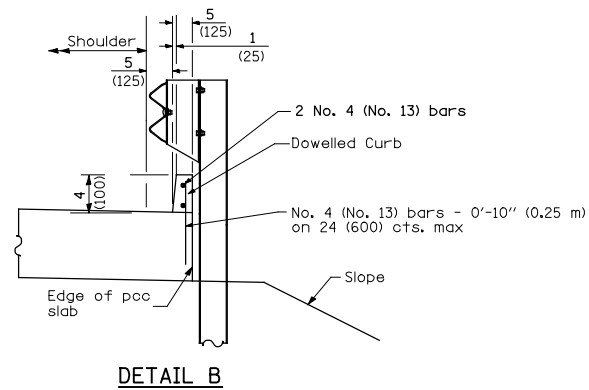
SEC. B-B



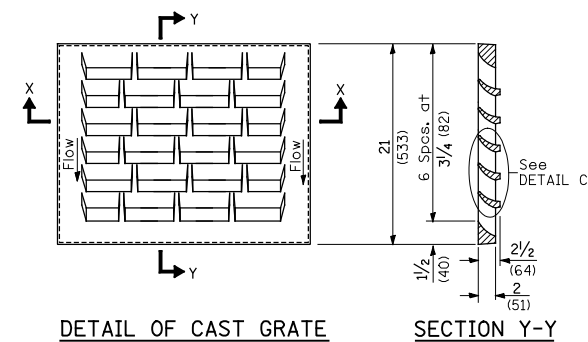
BOX OUTLET WHEN PRECAST



SECTION C-C

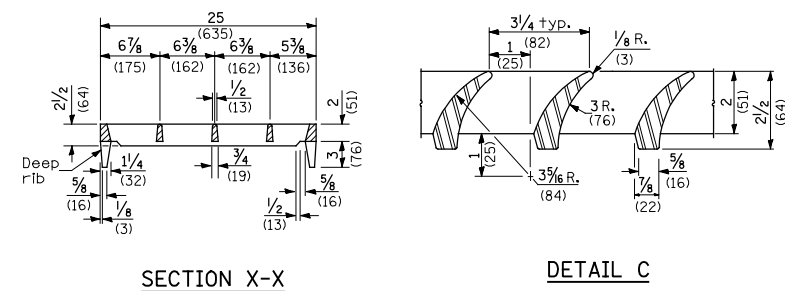


DETAIL B



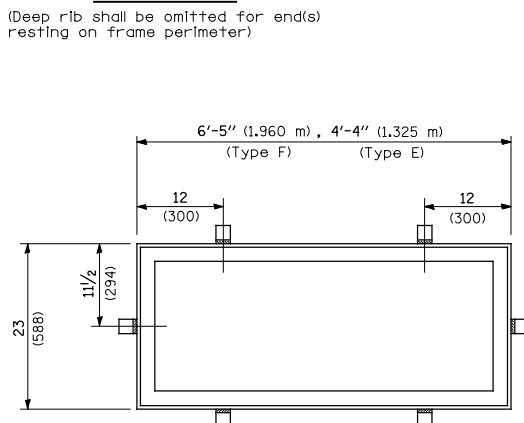
DETAIL OF CAST GRATE

SECTION Y-Y



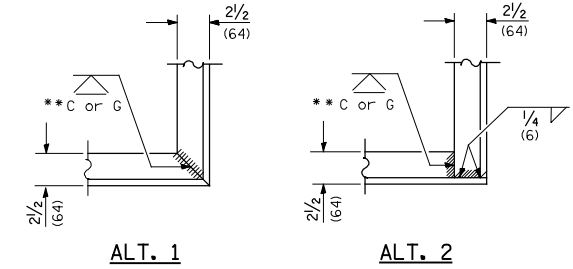
SECTION X-X

DETAIL C



DETAIL OF STEEL FRAME

Cast frame to have same basic dimensions.

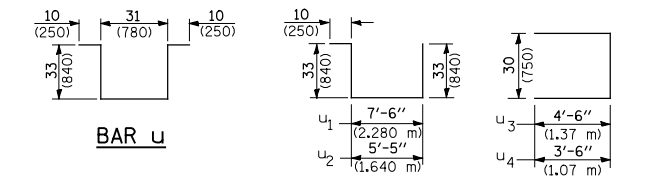


TYPICAL CORNER OF STEEL GRATING FRAME

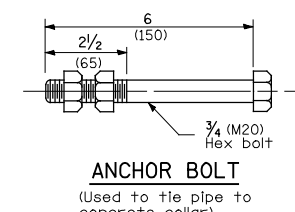
** Cut or Grind flush

INLET BOX							
REQUIRED MATERIAL							
TYPE E				TYPE F			
Bar	Qty.	Size	Length	Bar	Qty.	Size	Length
u	6	No. 4 (No. 13)	9'-9" (2,96 m)	u	8	No. 4 (No. 13)	9'-9" (2,96 m)
u ₂	3	No. 4 (No. 13)	11'-9" (3,57 m)	u ₁	3	No. 4 (No. 13)	13'-10" (4,21 m)
u ₄	6	No. 4 (No. 13)	9'-6" (2,89 m)	u ₃	6	No. 4 (No. 13)	11'-6" (3,49 m)
Concrete	cu. yds. (m ³)	1.3 (1.0)		Concrete	cu. yds. (m ³)	1.7 (1.3)	
Reinf. bars	lbs. (kg)	101 (45.8)		Reinf. bars	lbs. (kg)	126 (57.2)	
Grating	sq. ft. (m ²)	7.3 (0.68)		Grating	sq. ft. (m ²)	10.9 (1.02)	

INLET TYPE	SHOULDER WIDTH	0-0 GRATING FRAME	INLET BOX INSIDE WIDTH	INLET BOX INSIDE LENGTH
Type E	6' (1.8 m)	4'-4" (1.325 m)	3'-11" (1.195 m)	18 (460)
Type F	10' (3.0 m)	6'-5" (1.960 m)	6'-0" (1.830 m)	18 (460)



ANCHOR BOLT



ANCHOR BOLT (Used to tie pipe to concrete collar)

GENERAL NOTES

- See Standard 420001 for joint details not shown.
- All exposed edges of the Inlet, except the upper perimeter, shall be beveled 3/4 (20).
- For placement of drainage elements on existing construction with existing rigid pavement, substitute expansion anchor ties for the tie bars. For non-rigid pavements or monolithic construction of pcc slab and shoulder, omit tie bars.
- The cost of PCC slab shall be included in the cost of Type E or F Inlet Box, Standard 610001 (SPECIAL).
- The cost of the Doweled Curb shall be paid for at the contract unit price per foot (meter) for Concrete Curb (Doweled).
- The cost of concrete shoulder curb shall be paid for at the contract unit price per foot (meter) for Concrete Shoulder Curb.
- The lengths of reinforcement bars used in the portland cement concrete slab shall be such as to accommodate the lengths, widths, and spacing shown on the plans.
- All dimensions are in inches (millimeters) unless otherwise shown.