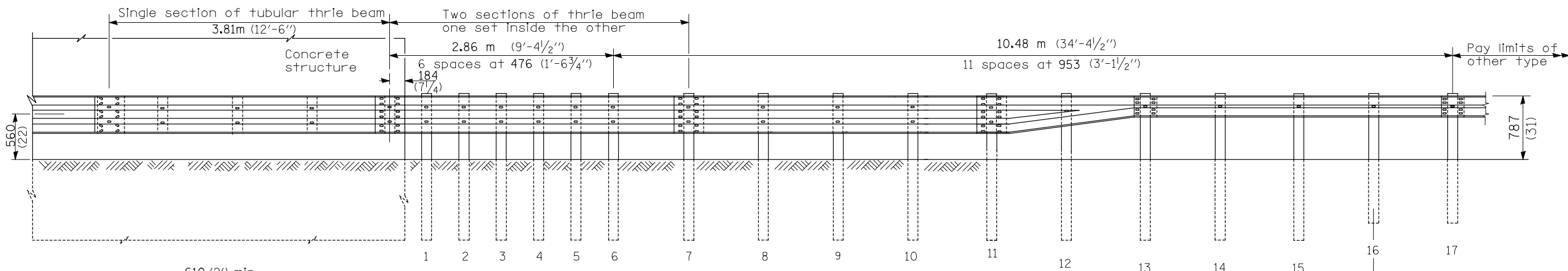
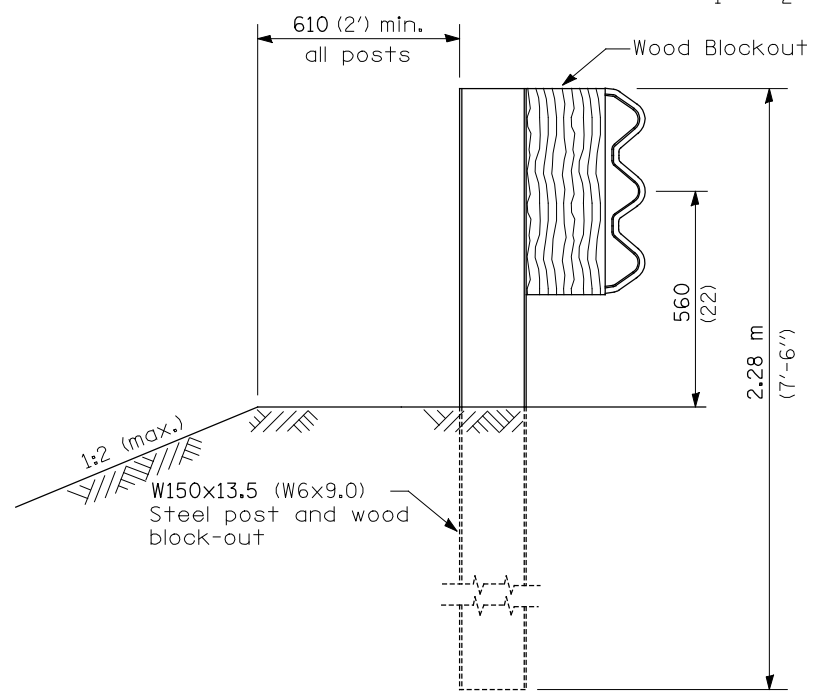


PLAN

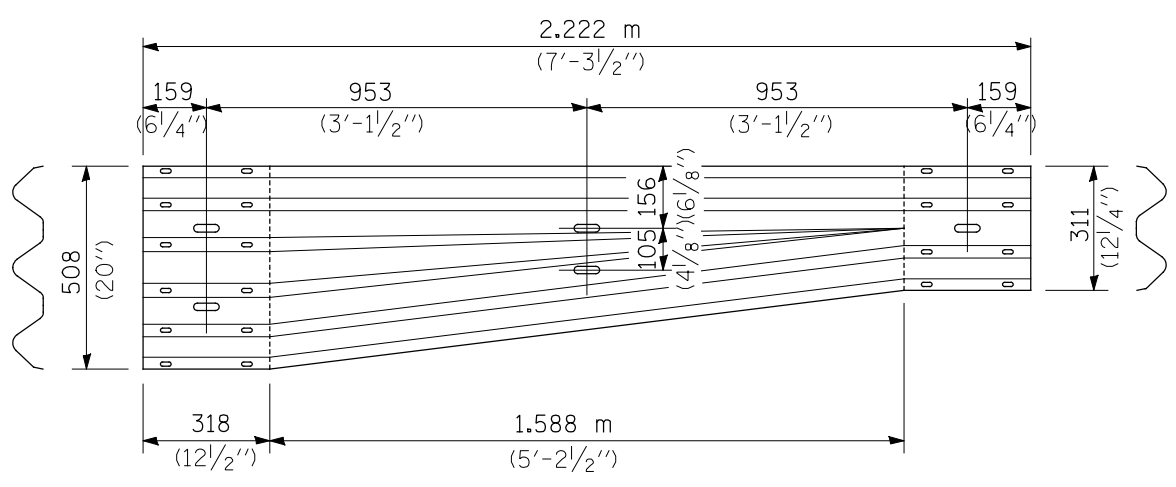
* With standard washers. After tightening, cut the anchor bolts flush with nuts, and damage the nut to prevent it from loosening.



ELEVATION



SECTION A-A



TRANSITION SECTION

GENERAL NOTES

- See Standard 630001 for details of guardrail not shown.
- Thrie beam rail shall be bolted to block-out at all posts.
- All slope ratios are expressed as units of vertical displacement to units of horizontal displacement (V:H).
- All dimensions are in millimeters (Inches) unless otherwise shown.
- Refer to Standard 631033 for details and dimensions not shown.

FILE NAME = ...D570520-sht-details.dgn	USER NAME = SJS	DESIGNED -	REVISED -	STATE OF ILLINOIS DEPARTMENT OF TRANSPORTATION	TRAFFIC BARRIER TERMINAL TYPE 6B (SPECIAL)			F.A.I. RTE. =	SECTION	COUNTY	TOTAL SHEETS	SHEET NO.
Johnson, Depp & Quisenberry CONSULTING ENGINEERS Springfield, Illinois	PLOT SCALE = 100.0000' / IN.	DRAWN -	REVISED -					55	(57-7HB-2 & 57-7HB-1)BR	MCLEAN	153	119
PLOT DATE = 08/09/2010 10:57:01	CHECKED -	REVISED -	REVISED -		CONTRACT NO. 70520							
	DATE -	REVISED -	REVISED -		FED. ROAD DIST. NO.	ILLINOIS FED. AID PROJECT						