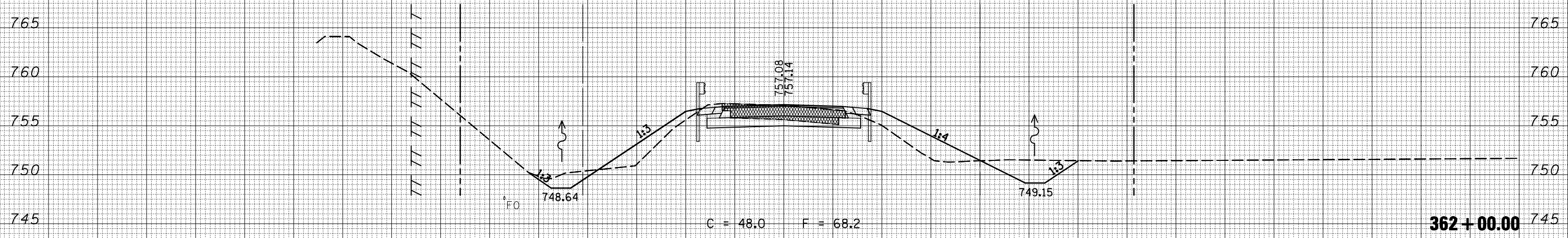
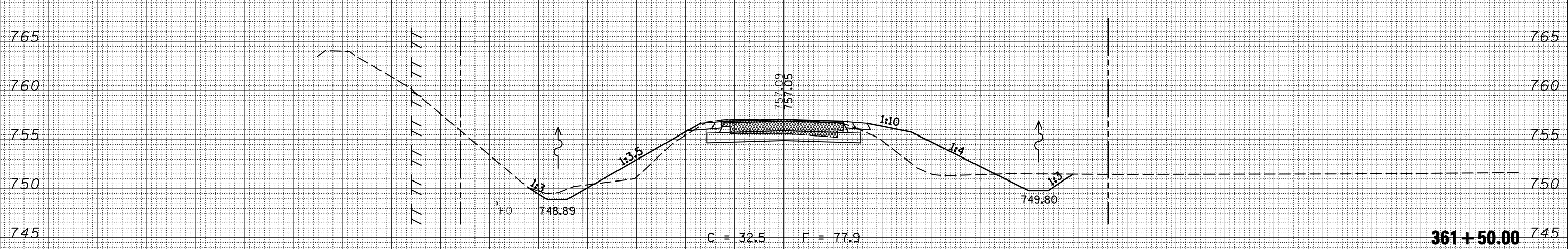


150 140 130 120 110 100 90 80 70 60 50 40 30 20 10 0 10 20 30 40 50 60 70 80 90 100 110 120 130 140 150

BY _____ DATE _____			
FINAL SURVEY	SURVEYED	PLOTTED	DATE
NOTE BOOK NO.	NO.	AREAS CHECKED	AREAS CHECKED



BY _____ DATE _____			
ORIGINAL SURVEY	SURVEYED	PLOTTED	DATE
NOTE BOOK NO.	NO.	AREAS CHECKED	AREAS CHECKED



150 140 130 120 110 100 90 80 70 60 50 40 30 20 10 0 10 20 30 40 50 60 70 80 90 100 110 120 130 140 150

FILE NAME =	USER NAME = keyarlb	DESIGNED -	REVISÉD -
ca:\pwork\pwwid0t\KEYSRB\0101441\0570592-sht1.sshdgn		DRAWN -	REVISÉD -
		CHECKED -	REVISÉD -
		DATE -	REVISÉD -

**STATE OF ILLINOIS
DEPARTMENT OF TRANSPORTATION**

SCALE:	CROSS SECTIONS			SHEET NO. OF SHEETS	TOTAL SHEETS	SHEET NO.		
	71	121R	MCLEAN				87	46
	ILLINOIS FED. AID PROJECT						CONTRACT NO. 70592	

STA. 361+50.00 TO STA. 362+00.00