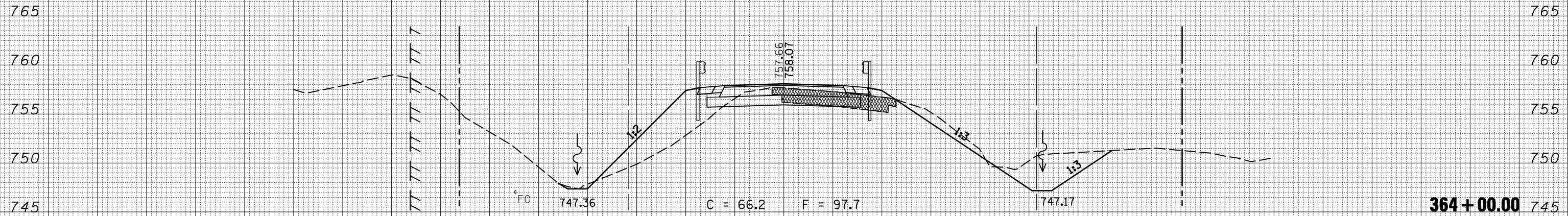
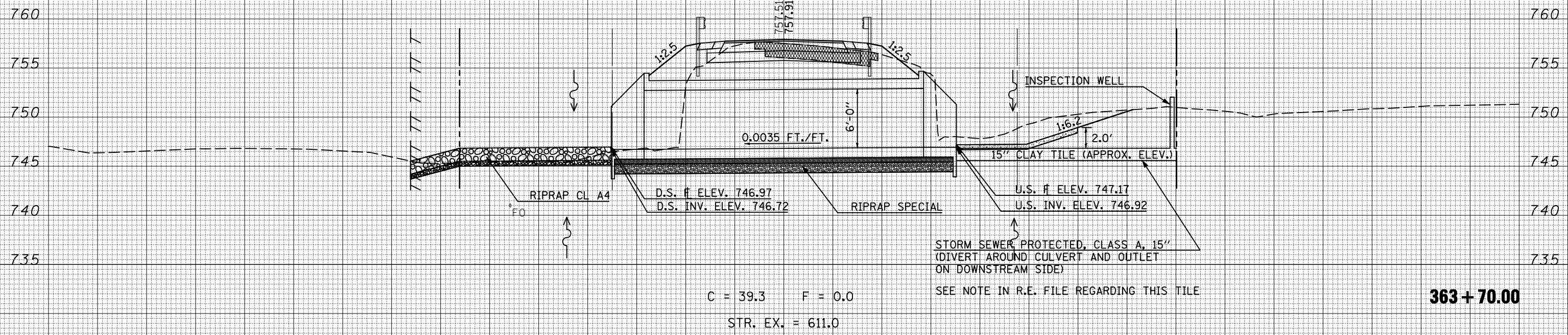


150 140 130 120 110 100 90 80 70 60 50 40 30 20 10 0 10 20 30 40 50 60 70 80 90 100 110 120 130 140 150

DATE	
BY	
FINISHED SURVEY	
PLOTTED	
TEMPLATE	
NOTE BOOK	
AREAS CHECKED	
NO.	



DATE	
BY	
ORIGINAL SURVEY	
PLOTTED	
TEMPLATE	
NOTE BOOK	
AREAS CHECKED	
NO.	



150 140 130 120 110 100 90 80 70 60 50 40 30 20 10 0 10 20 30 40 50 60 70 80 90 100 110 120 130 140 150

FILE NAME =
 c:\pwwork\pwwid\KEYSRB\d0101441\0570592-shht.dgn

USER NAME = keyarb
 DESIGNED -
 DRAWN -
 CHECKED -
 DATE -

REVISIED -
 REVISIED -
 REVISIED -
 REVISIED -

STATE OF ILLINOIS
 DEPARTMENT OF TRANSPORTATION

CROSS SECTIONS
 IL 54

SCALE: SHEET NO. OF SHEETS STA. 363+70.00 TO STA. 364+00.00

F.A.P. RTE.	SECTION	COUNTY	TOTAL SHEETS	SHEET NO.
71	121R	MCLEAN	87	48
CONTRACT NO. 70592			ILLINOIS FED. AID PROJECT	