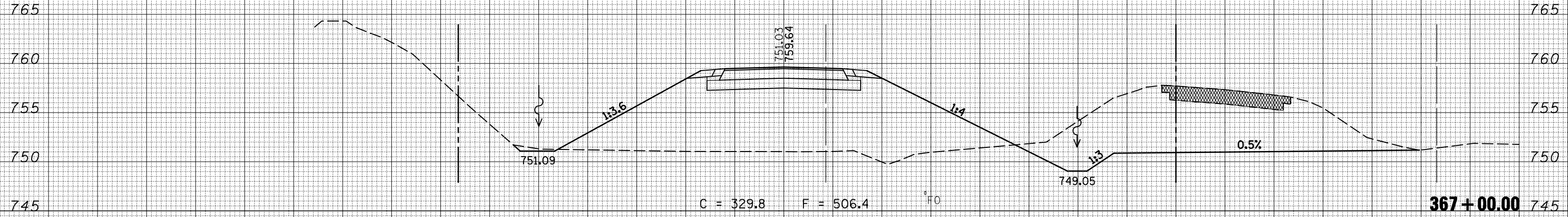


150 140 130 120 110 100 90 80 70 60 50 40 30 20 10 0 10 20 30 40 50 60 70 80 90 100 110 120 130 140 150

DATE	BY	SURVEYED	PLOTTED
		NOTE BOOK	TEMPLATE
		AREAS	CHECKED
		AREAS	CHECKED

DATE	BY	SURVEYED	PLOTTED
		NOTE BOOK	TEMPLATE
		AREAS	CHECKED
		AREAS	CHECKED



150 140 130 120 110 100 90 80 70 60 50 40 30 20 10 0 10 20 30 40 50 60 70 80 90 100 110 120 130 140 150

FILE NAME =
c:\pwwork\pwwidot\KEYSRB\d0101441\0570592-shht.dgn

USER NAME = keyarb
DESIGNED -
DRAWN -
CHECKED -
DATE -

REVISIED -
REVISIED -
REVISIED -
REVISIED -

**STATE OF ILLINOIS
DEPARTMENT OF TRANSPORTATION**

**CROSS SECTIONS
IL 54**

SCALE: SHEET NO. OF SHEETS STA. 367+00.00 TO STA. 367+00.00

F.A.P. RTE.	SECTION	COUNTY	TOTAL SHEETS	SHEET NO.
71	121R	MCLEAN	87	51
CONTRACT NO. 70592			ILLINOIS FED. AID PROJECT	