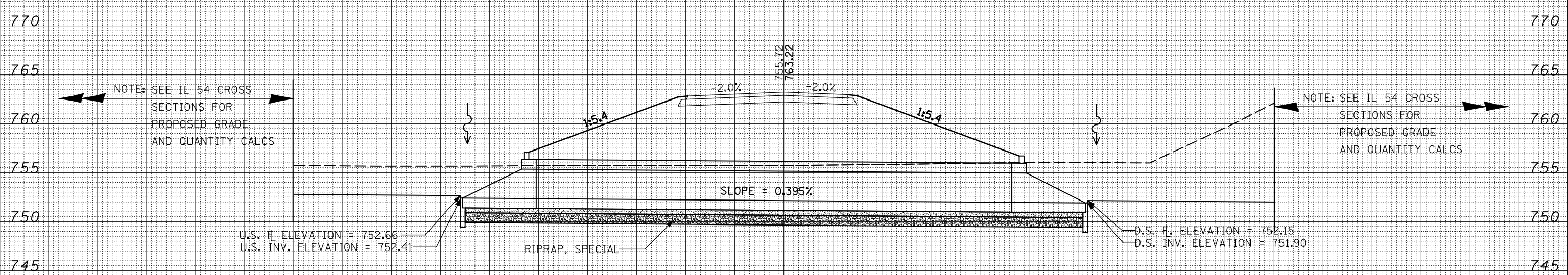


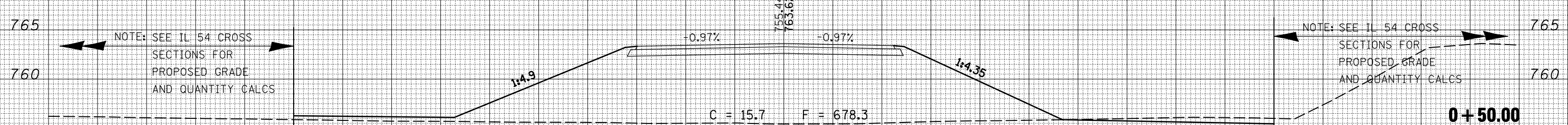
150 140 130 120 110 100 90 80 70 60 50 40 30 20 10 0 10 20 30 40 50 60 70 80 90 100 110 120 130 140 150

DATE	
BY	
SURVEYED	
PLOTTED	
TEMPLATE	
AREAS	
CHECKED	
FINAL SURVEY	
NOTE BOOK	
NO.	

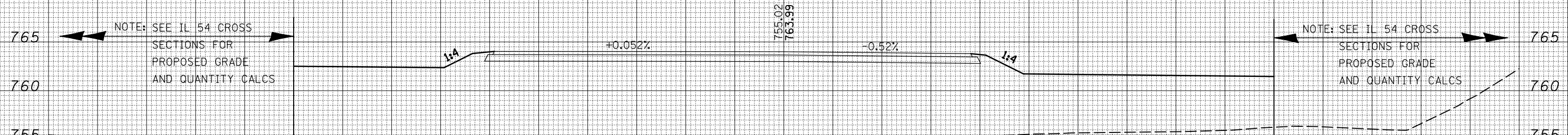


X-SEC ALONG STR CL **0+76.31**

DATE	
BY	
SURVEYED	
PLOTTED	
TEMPLATE	
AREAS	
CHECKED	
ORIGINAL SURVEY	
NOTE BOOK	
NO.	



X-SEC ALONG STR CL **0+50.00**



X-SEC ALONG STR CL **0+25.00**

150 140 130 120 110 100 90 80 70 60 50 40 30 20 10 0 10 20 30 40 50 60 70 80 90 100 110 120 130 140 150

FILE NAME =
 c:\pwwork\pwwidot\KEYSRB\d0101441\0570592-sh1-ssht.dgn

USER NAME = keyarb
 DESIGNED -
 DRAWN -
 CHECKED -
 DATE -

REVISED -
 REVISED -
 REVISED -
 REVISED -

**STATE OF ILLINOIS
 DEPARTMENT OF TRANSPORTATION**

**CROSS SECTIONS
 TR 547**

SCALE: SHEET NO. OF SHEETS STA. +25.00 TO STA. +76.31

F.A.P. RTE.	SECTION	COUNTY	TOTAL SHEETS	SHEET NO.
71	121R	MCLEAN	87	81
			CONTRACT NO. 70592	
ILLINOIS FED. AID PROJECT				