

STATE OF ILLINOIS
DEPARTMENT OF TRANSPORTATION
DIVISION OF HIGHWAYS
**PROPOSED
HIGHWAY PLANS**

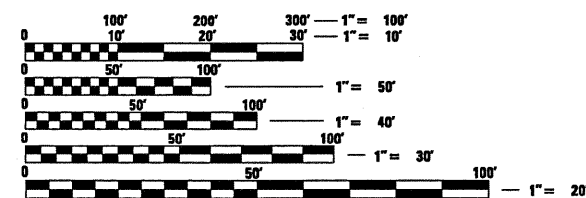
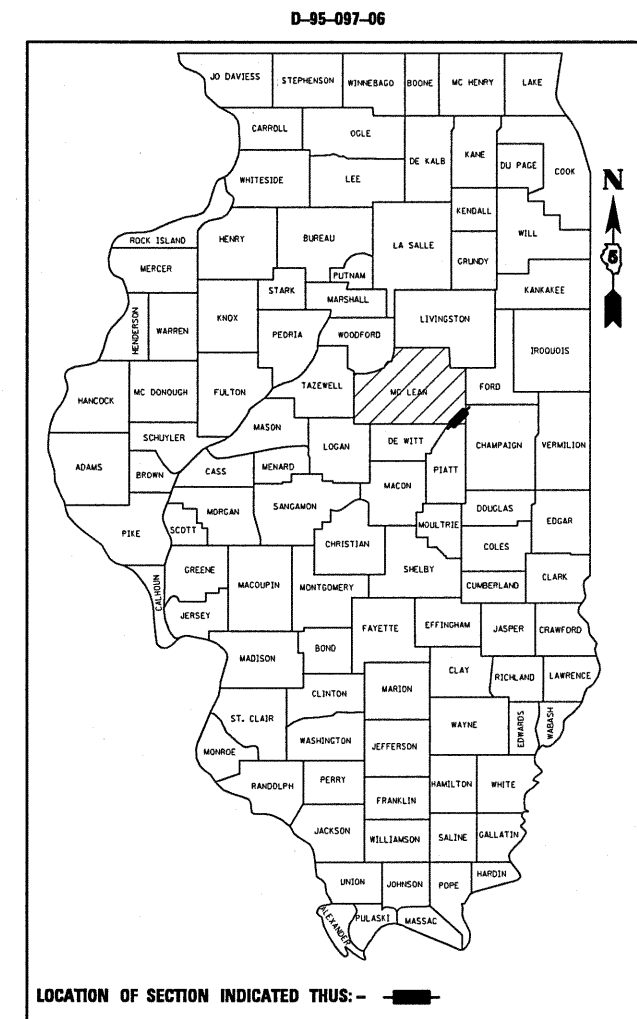
FAP ROUTE 71 (IL 54)
SECTION 121R
PROJECT HSIP-0071 (118)
HORIZONTAL REALIGNMENT
1 MI S. OF BELLFLOWER
MCLEAN COUNTY

C-95-097-06

FOR INDEX OF SHEETS, SEE SHEET NO. 2

DESIGN DESIGNATION: 110(29) MINOR ARTERIAL 3.59 (FD-20)
CURRENT ADT (2009): 1,150 VEHICLES PER DAY
% P.C. = 72.1 (829)
% S.U. = 9.2 (106)
% M.U. = 18.7 (215)

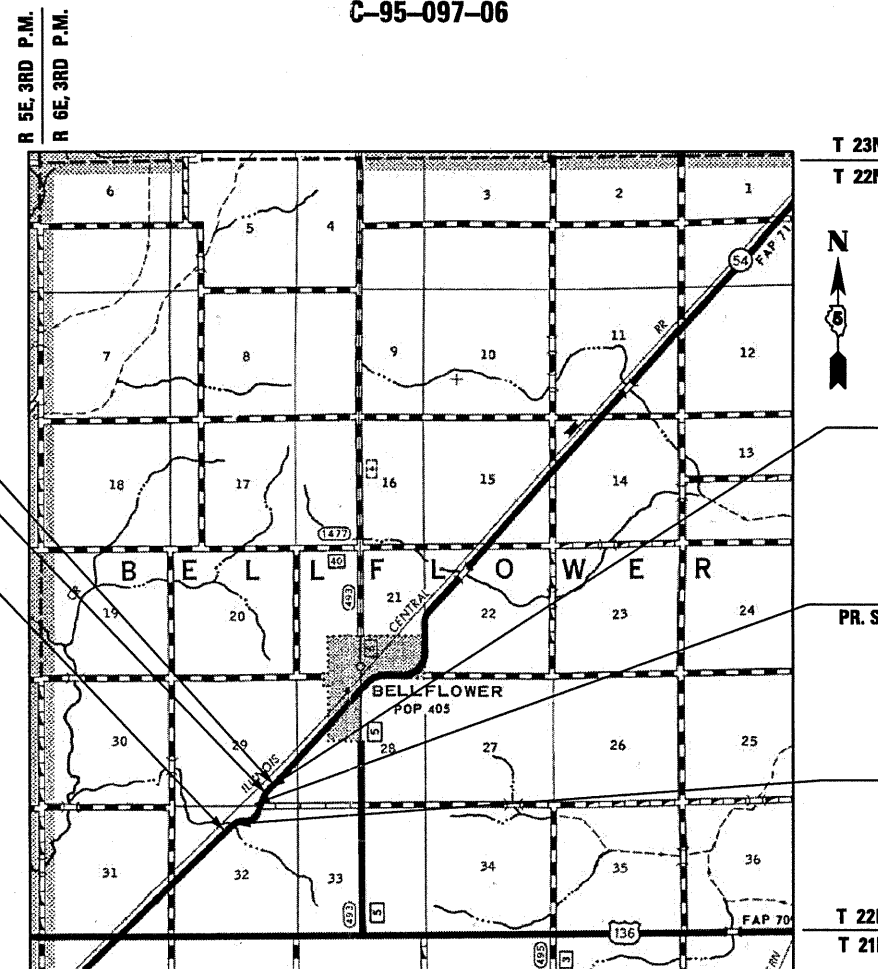
F.A.P. RTE.	SECTION	COUNTY	TOTAL SHEETS	SHEET NO.
71	121R	MCLEAN	87	1
		ILLINOIS	CONTRACT NO. 70592	



FULL SIZE PLANS HAVE BEEN PREPARED USING STANDARD ENGINEERING SCALES. REDUCED SIZED PLANS WILL NOT CONFORM TO STANDARD SCALES. IN MAKING MEASUREMENTS ON REDUCED PLANS, THE ABOVE SCALES MAY BE USED.

J.U.L.I.E.
JOINT UTILITY LOCATION INFORMATION FOR EXCAVATION
1-800-892-0123
OR 811 BELLFLOWER TOWNSHIP

PROJECT ENGINEER: KEVIN TRAPP
PROJECT MANAGER: RUSTIN KEYS
PHONE (217) 465-4181
CONTRACT NO. 70592



SECTION 121R ENDS
STA. 395+00.00

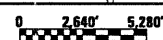
STATION EQUATION
STA. 389+63.66 (BK) =
STA. 390+79.19 (AH)

SECTION 121R BEGINS
STA. 360+00.00

PROPOSED STRUCTURE
PR. S.N. 057-2049, STA. 388+50.00
2@12'x3'x39' PRCBC WITH
PRC END SECTIONS
NO SKEW

PROPOSED STRUCTURE
PR. S.N. 057-2048, STA. 0+76.31 (TR 547)
2@12'x3'x97' PRCBC WITH
PRC END SECTIONS
NO SKEW

STRUCTURE REPLACEMENT
EX. S.N. 057-8001, STA. 363+70
PR. S.N. 057-2047, STA. 363+70
2@12'x6'x54' PRCBC WITH
C.I.P. APRON END SECTIONS
NO SKEW



GROSS LENGTH = 3,384.47 FT. = 0.641 MILE
NET LENGTH = 3,384.47 FT. = 0.641 MILE

STATE OF ILLINOIS
DEPARTMENT OF TRANSPORTATION
DIVISION OF HIGHWAYS

SUBMITTED July 30 2010
Joseph E. Bond, Jr.
DEPUTY DIRECTOR OF HIGHWAYS, REGION ENGINEER

October 1 2010
Scott E. Stitt, P.E.
Acting ENGINEER OF DESIGN AND ENVIRONMENT

October 1 2010
Christine M. Reed
DIRECTOR OF HIGHWAYS, CHIEF ENGINEER

**PRINTED BY THE AUTHORITY
OF THE STATE OF ILLINOIS**

INDEX OF SHEETS

1	COVER SHEET
2	INDEX OF SHEETS, HIGHWAY STANDARDS, COMMITMENTS
3	GENERAL NOTES
4-5	SUMMARY OF QUANTITIES
6-7	TYPICAL SECTIONS
8-10	SCHEDULE OF QUANTITIES
11	ALIGNMENTS, TIES, BENCHMARKS
12-14	REMOVAL PLAN
15-18	PLAN AND PROFILE - IL 54 & TR 547
19	TR 547 INTERSECTION DETAIL
20-22	DETOUR SIGNING PLAN
23-25	EROSION, SEDIMENT CONTROL AND LANDSCAPING PLAN
26-27	RIGHT OF WAY PLANS
28-36	BOX CULVERT END SECTION DETAILS
37-43	DISTRICT DETAILS
44-87	ROADWAY CROSS SECTIONS

COMMITMENTS

THE LENGTH OF THE STREAM CHANNEL TO THE EAST OF IL 54 HAS BEEN DESIGNED TO MEET THE USACOE PERMIT REQUIREMENTS. NUT AND/OR BERRY PRODUCING TREES SHALL BE PLANTED ALONG THE NEW CHANNEL TO MEET STATE REPLANTING REQUIREMENTS.

INDEX OF HIGHWAY STANDARDS

000001-05	STANDARD SYMBOLS, ABBREVIATIONS AND PATTERNS
001001-02	AREAS OF REINFORCEMENT BARS
001006	DECIMAL OF AN INCH AND OF A FOOT
280001-05	TEMPORARY EROSION CONTROL SYSTEMS
482001-02	HMA SHOULDER ADJACENT TO FLEXIBLE PAVEMENT
515001-03	NAME PLATES FOR BRIDGES
542301-02	PRECAST REINFORCED CONCRETE FLARED END SECTION
542401-01	METAL END SECTIONS FOR PIPE CULVERTS
606401-01	PAVED DITCH
630001-08	STEEL PLATE BEAM GUARDRAIL
630101-08	GUARDRAIL MOUNTED ON EXISTING CULVERTS
630301-05	SHOULDER WIDENING FOR TYPE 1 (SPECIAL) GUARDRAIL TERMINALS
635006-03	REFLECTOR AND TERMINAL MARKER PLACEMENT
635011-02	REFLECTOR MARKER AND MOUNTING DETAILS
666001-01	RIGHT OF WAY MARKERS
667101-01	PERMANENT SURVEY MARKERS
701001-02	OFF-ROAD OPERATIONS, 2L, 2W, MORE THAN 4.5 M (15') AWAY
701006-03	OFF-ROAD OPERATIONS, 2L, 2W, 4.5 M (15') TO 600 MM (24") FROM PAVEMENT EDGE
701201-03	LANE CLOSURE, 2L, 2W, DAY ONLY, FOR SPEEDS >= 45 MPH
701311-03	LANE CLOSURE, 2L, 2W, MOVING OPERATIONS - DAY ONLY
701901-01	TRAFFIC CONTROL DEVICES
720001-01	SIGN PANEL MOUNTING DETAILS
720006-02	SIGN PANEL ERECTION DETAILS
720011-01	METAL POSTS FOR SIGNS, MARKERS AND DELINEATORS
729001-01	APPLICATIONS OF TYPES A AND B METAL POSTS (FOR SIGNS & MARKERS)
781001-03	TYPICAL APPLICATIONS RAISED REFLECTIVE PAVEMENT MARKERS

FILE NAME =	USER NAME = keysrb	DESIGNED -	REVISED -	STATE OF ILLINOIS DEPARTMENT OF TRANSPORTATION	INDEX OF SHEETS, HIGHWAY STANDARDS, AND COMMITMENTS				F.A.P. RTE.	SECTION	COUNTY	TOTAL SHEETS	SHEET NO.
c:\pwwork\pwwork\keysrb\d0101441\0570592	sht-gennotes.dgn	DRAWN -	REVISED -		71	121R	MCLEAN	87	2				
	PLOT SCALE = 100.0000 / IN.	CHECKED -	REVISED -		CONTRACT NO. 70592								
	PLOT DATE = 10/16/2009	DATE -	REVISED -		SCALE:	SHEET NO.	OF	SHEETS	STA.	TO STA.	ILLINOIS FED. AID PROJECT		

GENERAL NOTES

G.N.-100
ENGLISH UNITS OF MEASUREMENT SHALL GOVERN OVER AND SUPERSEDE ANY METRIC UNITS SHOWN IN THIS CONTRACT. WHERE INCLUDED, METRIC UNITS ARE FOR INFORMATION ONLY.

G.N.-105.09A
ALL ELEVATIONS SHOWN IN THE PLANS ARE BASED ON NORTH AMERICAN VERTICAL DATUM OF 1988. (NAVD 88)

G.N.-107.12
THE NAME, ADDRESS AND TELEPHONE NUMBER OF THE LOCAL RAILROAD CONTACT IS:

Mr. Hardy Taylor
1907 Marlon Ave
Matttoon, IL 61938
(217) 238-2443

SPECIAL ATTENTION IS CALLED TO ARTICLE 107.12 REGARDING RAILROAD FLAGGERS. THE NAME, ADDRESS AND TELEPHONE NUMBER OF THE RAILROAD CONTACT PERSON FOR FLAGGERS IS:

Mr. Tom Tucker
2800 Livernois Rd
Troy, MI 48083
(248) 740-6227

G.N.-107.31
UTILITY LINES WERE PLOTTED FROM INFORMATION FURNISHED BY THE VARIOUS UTILITY COMPANIES INVOLVED (QUALITY LEVEL C &/OR QUALITY LEVEL D) AND THE ACCURACY SHOULD BE CONSIDERED APPROXIMATE ONLY.

UTILITY COMPANIES MAY BE ADJUSTING THEIR FACILITIES DURING CONSTRUCTION. THE CONTRACTOR SHALL COOPERATE WITH THESE ORGANIZATIONS WHILE THESE ADJUSTMENTS ARE BEING PERFORMED. J.U.L.I.E. - JOINT UTILITY LOCATION INFORMATION FOR EXCAVATORS SYSTEM (800)892-0123 OR 811.

G.N.-201
TREES THAT INTERFERE WITH THE CONSTRUCTION OPERATIONS SHALL BE REMOVED AS DIRECTED BY THE ENGINEER. ANY TREE DUE TO ITS LOCATION AND DEEMED SUITABLE FOR SAVING BY THE ENGINEER SHALL BE PROTECTED DURING CLEARING AND SUBSEQUENT CONSTRUCTION OPERATIONS.

G.N.-205
BENCHING PROCEDURES SHALL BE USED IN AREAS WHERE EXISTING EMBANKMENTS ARE WIDENED FOR THE PROPOSED PAVEMENT. STEPS SHALL BE CUT INTO THE EXISTING EMBANKMENT SLOPES AND SHALL HAVE THE FOLLOWING DIMENSIONS:
HORIZONTAL: 4
VERTICAL: 1

G.N.-250C-SPL
SEEDING, CLASS 7 IS INCLUDED IN THIS CONTRACT TO SEED BARE EARTH DURING TIME PERIODS WHEN PERMANENT SEEDING IS NOT ALLOWED. SOME OR ALL OF THE CLASS 7 SEEDING WILL BE DELETED IF IT IS POSSIBLE TO PLACE PERMANENT SEEDING ON BARE EARTH AT THE TIME OF THEIR COMPLETION.

G.N.-406
THE QUANTITIES INCLUDED IN THE PLANS FOR HOT-MIX ASPHALT RESURFACING ARE INTENDED TO GIVE THE COVERAGE SHOWN ON THE TYPICAL CROSS SECTIONS. IT IS NOT INTENDED TO INCREASE THE THICKNESS OF THE HOT-MIX ASPHALT MIXTURE IN ORDER TO USE ALL OF THE QUANTITIES INCLUDED IN THE CONTRACT.

G.N. -406H
MIXTURE REQUIREMENTS
The following mixture requirements

Location(s):	IL 54	IL 54	IL 54	IL 54	IL 54 & TR 547
Mixture Use(s):	HMA BINDER COURSE	HMA SURFACE CSE	HMA SHLD TOP 2" LIFT	HMA SHLD BOTTOM LIFTS	INCIDENTAL
AC/PG:	PG 64-22	PG 64-22	PG 64-22	PG 58-22	PG 64-22
RAP %: (Max)	SEE RAP SPL PROV.	SEE RAP SPL PROV.	SEE RAP SPL PROV.	SEE RAP SPL PROV.	SEE RAP SPL PROV.
Design Air Voids:	4% @ N=50	4% @ N=50	4% @ N=50	2% @ N=30	4% @ N=50
Mixture Gradation	IL 19.0	IL 9.5	IL 9.5	OTHER	IL 9.5
Friction	N/A	MIX C	MIX C	N/A	MIX C

G.N.-406.05b
ALL LEVELING BINDER OR BINDER SHALL BE GIVEN A FOG COAT OF PRIME BEFORE THE SURFACE COURSE IS PLACED WHEN DIRECTED BY THE ENGINEER.

THE FOG COAT WILL BE PAID FOR AT THE CONTRACT UNIT PRICE PER GALLON FOR BITUMINOUS MATERIAL (PRIME COAT) AND NO ADDITIONAL COMPENSATION WILL BE ALLOWED.

G.N.-408B
THE INCIDENTAL HOT-MIX ASPHALT SURFACING SHALL BE COMPACTED AS REQUIRED BY THE SPECIFICATIONS FOR DESIGN NUMBER OF CYRATIONS BEING USED, AT THE FOLLOWING LOCATIONS:
TR 547

G.N.-482
ALL MATERIAL PLACED AS HOT-MIX ASPHALT SHOULDERS SHALL BE COMPACTED TO 94.0 - 98.4 PERCENT OF THE MAXIMUM THEORETICAL DENSITY. THIS REQUIREMENT SHALL APPLY TO IL 9.5L GRADATION SHOULDER MIXES AND OTHER MIXES (BOTTOM LIFT OF SHOULDERS). THIS MAXIMUM DENSITY SHALL BE DETERMINED FROM THE MOVING AVERAGE OF FOUR TESTS AS IN OTHER QC/QA TESTING. A NUCLEAR GAUGE DENSITY/CORE CORRELATION SHALL BE PERFORMED FOR THE IL 9.5L MIXES AND OTHER MIXES USING STANDARD CORRELATION PROCEDURES.

G.N.-540
THE CONTRACTOR SHALL ASSEMBLE AND MATCH-MARK THE PRECAST BOX CULVERT SECTIONS AND END SECTIONS PRIOR TO SHIPMENT OF THESE COMPONENTS FROM THE MANUFACTURER, AND AS DIRECTED BY THE ENGINEER IN ORDER TO SECURE A PROPER FIT ON EACH JOINT. ANY SECTIONS OR END SECTIONS WHICH DO NOT PROVIDE A PROPER FIT AT THE JOINT SHALL BE REJECTED BY THE ENGINEER AND REPLACED BY THE CONTRACTOR WITH NO ADDITIONAL COMPENSATION BEING ALLOWED.

THIS WORK WILL NOT BE PAID FOR SEPARATELY, BUT SHALL BE INCLUDED IN THE CONTRACT UNIT PRICE PER FOOT FOR PRECAST CONCRETE BOX CULVERTS OF THE SIZE SPECIFIED.

G.N.-542
BEFORE ORDERING PIPE CULVERTS, THE CONTRACTOR SHALL CONSULT THE ENGINEER FOR THE EXACT LENGTHS.

G.N.-542.07
AT LOCATIONS WHERE END SECTIONS ARE SPECIFIED, CAST-IN-PLACE CONCRETE HEADWALLS WILL NOT BE ALLOWED.

G.N.-542B
ALL THE ENTRANCE CULVERTS LENGTHS SHOWN IN THE PLANS WERE CALCULATED WITH THE ASSUMPTION THAT METAL PIPES AND METAL END SECTION WOULD BE USED.

G.N.-703A
SHORT TERM PAVEMENT MARKING SHALL BE APPLIED TO THE PAVEMENT AFTER ANY OF THE FOLLOWING: COLD MILLING AND/OR PLACING BITUMINOUS MATERIALS (PRIME COAT), LEVELING BINDER (MACHINE METHOD), BINDER AND SURFACE COURSES. SHORT TERM PAVEMENT MARKING PLACED ON THE SURFACE, SHALL COINCIDE WITH THE FINAL PAVEMENT STRIPING. SHORT TERM PAVEMENT MARKING PLACED PRIOR TO THE SURFACE SHALL COINCIDE WITH THE EXISTING PAVEMENT MARKINGS. USE 4 FEET PER 40 FEET (OR 10% PER STATION).

G.N.-781
RAISED REFLECTIVE PAVEMENT MARKERS SHALL BE PLACED IN ACCORDANCE WITH STANDARD 781001, AND THE DETAILS SHOWN IN THE PLANS. IF THERE IS ANY DISCREPANCY BETWEEN THE STANDARD AND THE DETAILS IN THE PLANS, THE DETAILS IN THE PLANS SHALL GOVERN. THE FINAL PAVEMENT MARKINGS SHALL BE IN PLACE PRIOR TO PLACING THE RAISED REFLECTIVE PAVEMENT MARKERS AND THE RAISED REFLECTIVE PAVEMENT MARKERS SHALL BE PLACED MIDWAY IN THE 30 FOOT (9 m) SPACE BETWEEN THE DASHED CENTERLINE STRIPES (WHEN APPLICABLE).

G.N.-1004.01
COARSE AGGREGATE GRADATION CA-10 MAY BE USED WHENEVER COARSE AGGREGATE CA-6 IS SPECIFIED IN THE STANDARD SPECIFICATIONS.

G.N.-20038
AN ALUMINUM TABLET OF THE TYPE SHOWN ON STANDARD 667101 SHALL BE PLACED ON THE PROPOSED STRUCTURE AS DIRECTED BY THE ENGINEER. THE BENCH MARK ELEVATION WILL BE ESTABLISHED AND MARKED BY THE DEPARTMENT. THIS WORK WILL BE PAID FOR AT THE CONTRACT UNIT PRICE EACH FOR PERMANENT BENCH MARKS.

FILE NAME :	USER NAME : keysrb	DESIGNED -	REVISED -	STATE OF ILLINOIS DEPARTMENT OF TRANSPORTATION	GENERAL NOTES				F.A.P. RTE.	SECTION	COUNTY	TOTAL SHEETS	SHEET NO.
c:\pwork\pwork\keysrb\d010141\0570592-shr-gennotes.dgn		DRAWN -	REVISED -		71	121R	MCLEAN	87	3				
PLOT SCALE : 100.0000 1/4" IN.		CHECKED -	REVISED -		CONTRACT NO. 70592								
PLOT DATE : 10/16/2009		DATE -	REVISED -		SCALE:	SHEET NO. OF SHEETS	STA.	TO STA.	ILLINOIS FED. AID PROJECT				

CODE NO	ITEM	UNIT	TOTAL QUANTITY	FAP - RURAL	S.N. 057-2047	S.N. 057-2048	S.N. 057-2049	CODE NO	ITEM	UNIT	TOTAL QUANTITY	FAP - RURAL	S.N. 057-2047	S.N. 057-2048	S.N. 057-2049
				10% STATE 90% FED	STA. 363+70 FAP - RURAL 10% STATE 90% FED	STA. 0+76.3 FAP - RURAL 10% STATE 90% FED	STA. 388+50 FAP - RURAL 10% STATE 90% FED					10% STATE 90% FED	STA. 363+70 FAP - RURAL 10% STATE 90% FED	STA. 0+76.3 FAP - RURAL 10% STATE 90% FED	STA. 388+50 FAP - RURAL 10% STATE 90% FED
20100500	TREE REMOVAL, ACRES	ACRE	4.25	4.25				50100400	REMOVAL OF EXISTING STRUCTURES NO. 2	EACH	1.0	1.0			
20200100	EARTH EXCAVATION	CU YD	31,261.0	31,261.0				50100500	REMOVAL OF EXISTING STRUCTURES NO. 3	EACH	1.0	1.0			
20201200	REMOVAL AND DISPOSAL OF UNSUITABLE MATERIAL	CU YD	153.0	153.0				50105220	PIPE CULVERT REMOVAL	FOOT	86.0	86.0			
20400800	FURNISHED EXCAVATION	CU YD	17,122.0	17,122.0				50200100	STRUCTURE EXCAVATION	CU YD	2,056.0		757.2	766.1	532.7
20700220	POROUS GRANULAR EMBANKMENT	CU YD	525.0	525.0				51500100	NAME PLATES	EACH	3.0		1.0	1.0	1.0
20800150	TRENCH BACKFILL	CU YD	50.0	50.0				54001001	BOX CULVERT END SECTION, CULVERT NO. 1	EACH	2.0		2.0		
20900110	POROUS GRANULAR BACKFILL	CU YD	11.0	11.0				54001002	BOX CULVERT END SECTION, CULVERT NO. 2	EACH	2.0			2.0	
21301052	EXPLORATION TRENCH 52" DEPTH	FOOT	3,385.0	3,385.0				54001003	BOX CULVERT END SECTION, CULVERT NO. 3	EACH	2.0				2.0
*25000200	SEEDING, CLASS 2	ACRE	8.0	8.0				54011203	PRECAST CONCRETE BOX CULVERTS 12' X 3'	FOOT	194.0			194.0	
*25000310	SEEDING, CLASS 4	ACRE	5.5	5.50				54011206	PRECAST CONCRETE BOX CULVERTS 12' X 6'	FOOT	108.0		108.0		
*25000350	SEEDING, CLASS 7	ACRE	13.5	13.5				54021203	PRECAST CONCRETE BOX CULVERTS 12' X 3' (M273)	FOOT	78.0				78.0
*25000400	NITROGEN FERTILIZER NUTRIENT	POUND	722.0	722.0				54213450	END SECTIONS 15"	EACH	2.0	2.0			
*25000500	PHOSPHORUS FERTILIZER NUTRIENT	POUND	722.0	722.0				54213663	PRECAST REINFORCED CONCRETE FLARED END SECTIONS 18"	EACH	2.0	2.0			
*25000600	POTASSIUM FERTILIZER NUTRIENT	POUND	722.0	722.0				542A1063	PIPE CULVERTS, CLASS A, TYPE 2 18"	FOOT	95.0	95.0			
*25100115	MULCH, METHOD 2	ACRE	12.75	12.75				542D0220	PIPE CULVERTS, CLASS D, TYPE 115"	FOOT	74.0	74.0			
*25100630	EROSION CONTROL BLANKET	SQ YD	3,450.0	3,450.0				61100605	MISCELLANEOUS CONCRETE	CU YD	2.7	2.7			
25301800	SEEDLINGS	UNIT	3.0	3.0				61101017	STORM SEWERS PROTECTED, CLASS A, 15"	FOOT	145.0	145.0			
28000305	TEMPORARY DITCH CHECKS	FOOT	529.0	529.0				*63000001	STEEL PLATE BEAM GUARD RAIL, TYPE A, 6 FOOT POSTS	FOOT	1,125.0	1,125.0			
28000400	PERIMETER EROSION BARRIER	FOOT	3,031.0	3,031.0				*63000025	STEEL PLATE BEAM GUARD RAIL, ATTACHED TO STRUCTURES	FOOT	75.0	75.0			
28000500	INLET AND PIPE PROTECTION	EACH	2.0	2.0				*63100167	TRAFFIC BARRIER TERMINAL, TYPE 1 (SPECIAL) TANGENT	EACH	2.0	2.0			
28100107	STONE RIPRAP, CLASS A4	SQ YD	303.0	303.0				*63100169	TRAFFIC BARRIER TERMINAL, TYPE 1 (SPECIAL) FLARED	EACH	6.0	6.0			
28100201	STONE RIPRAP, CLASS A1	TON	665.0		197.0	313.0	155.0	63200310	GUARDRAIL REMOVAL	FOOT	365.0	365.0			
28200200	FILTER FABRIC	SQ YD	1,271.0	303.0	287.0	455.0	226.0	63500120	DELINEATOR REMOVAL	EACH	7.0	7.0			
30201500	LIME	TON	258.0	258.0				66600105	FURNISHING AND ERECTING RIGHT-OF-WAY MARKERS	EACH	31.0	31.00			
30200650	PROCESSING MODIFIED SOIL 12"	SQ YD	11,442.0	11,442.0				67000400	ENGINEER'S FIELD OFFICE, TYPE A	CAL MO	7.0	7.0			
31101900	SUB-BASE GRANULAR MATERIAL, TYPE C	TON	505.0	505.0				67100100	MOBILIZATION	L SUM	1.0	1.0			
35101400	AGGREGATE BASE COURSE, TYPE B	TON	250.0	250.0				70100450	TRAFFIC CONTROL AND PROTECTION, STANDARD 701201	L SUM	1.0	1.0			
40200800	AGGREGATE SURFACE COURSE, TYPE B	TON	556.0	556.0				70101800	TRAFFIC CONTROL AND PROTECTION, (SPECIAL)	L SUM	1.0	1.0			
40600100	BITUMINOUS MATERIALS (PRIME COAT)	GALLON	2,164.0	2,164.0				70300220	TEMPORARY PAVEMENT MARKING-LINE 4"	FOOT	7,432.0	7,432.0			
40603080	HOT-MIX ASPHALT BINDER COURSE, IL-19.0, N50	TON	6,261.0	6,261.0				70301000	WORK ZONE PAVEMENT MARKING REMOVAL	SQ FT	2,477.0	2,477.0			
40603310	HOT-MIX ASPHALT SURFACE COURSE, MIX "C", N50	TON	1,025.0	1,025.0				*72000100	SIGN PANEL - TYPE 1	SQ FT	4.0	4.0			
40800010	BITUMINOUS MATERIALS (PRIME COAT)	GALLON	61.0	61.0				*72900100	METAL POST - TYPE A	FOOT	12.5	12.5			
40800050	INCIDENTAL HOT-MIX ASPHALT SURFACING	TON	131.0	131.0				*78001110	PAINT PAVEMENT MARKING - LINE 4"	FOOT	7,432.0	7,432.0			
44000100	PAVEMENT REMOVAL	SQ YD	8,577.0	8,577.0				78100100	RAISED REFLECTIVE PAVEMENT MARKER	EACH	44.0	44.0			
44004250	PAVED SHOULDER REMOVAL	SQ YD	1,167.0	1,167.0				*78200405	GUARDRAIL MARKERS	EACH	21.0	21.0			
48101200	AGGREGATE SHOULDERS, TYPE B	TON	914.0	914.0				*78201000	TERMINAL MARKER - DIRECT APPLIED	EACH	8.0	8.0			
48203029	HOT-MIX ASPHALT SHOULDERS, 8"	SQ YD	1,471.0	1,471.0				*A2002656	TREE, CARYA ILLINOENSIS (PECAN), 2" CALIPER, BALLED AND BURLAPPED	EACH	15.0	15.0			
50100300	REMOVAL OF EXISTING STRUCTURES NO. 1	EACH	1.0				1.0	*A2002616	TREE, CARYA CORDIFORMIS (BITTERNUT HICKORY), 2" CALIPER, BALLED AND BURLAPPED	EACH	15.0	15.0			

FILE NAME =	USER NAME = keysrb	DESIGNED -	REVISED -	STATE OF ILLINOIS DEPARTMENT OF TRANSPORTATION	SUMMARY OF QUANTITIES				F.A.P. RTE.	SECTION	COUNTY	TOTAL SHEETS	SHEET NO.
ci:\pw_work\pwidot\keysrb\010144\05705	2-shr-500.dgn	DRAWN -	REVISED -		71	121R	MCLEAN	87	4				
PLOT SCALE = 100.0000 / IN.	CHECKED -	REVISED -	REVISED -		CONTRACT NO. 70592								
PLOT DATE = 8/9/2010	DATE -	REVISED -	REVISED -		SCALE:	SHEET NO.	OF	SHEETS	STA.	TO STA.	ILLINOIS FED. AID PROJECT		

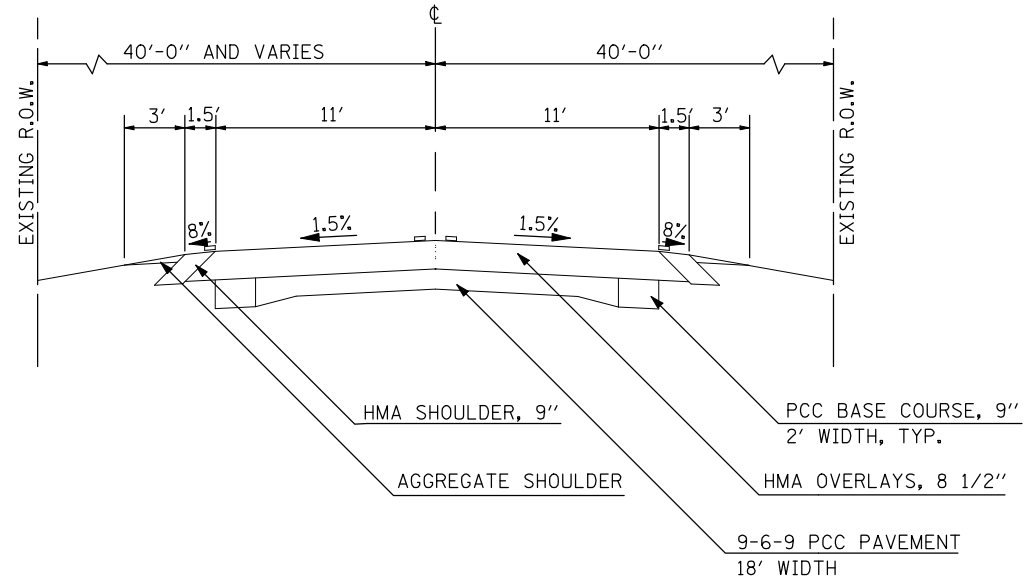
CODE NO	ITEM	UNIT	TOTAL QUANTITY	FAP - RURAL 10% STATE 90% FED	S.N. 057-2047 STA. 363+70 FAP - RURAL 10% STATE 90% FED	S.N. 057-2048 STA. 0+76.3 FAP - RURAL 10% STATE 90% FED	S.N. 057-2049 STA. 388+50 FAP - RURAL 10% STATE 90% FED
A2005116	TREE, JUGLANS NIGRA (BLACK WALNUT), 2" CALIPER, BALLED AND BURLAPPED	EACH	15.0	15.0	0040	0040	0040
A2006516	TREE, QUERCUS BICOLOR (SWAMP WHITE OAK), 2" CALIPER, BALLED AND BURLAPPED	EACH	15.0	15.0			
A2006916	TREE, QUERCUS PALUSTRIS (PIN OAK), 2" CALIPER, BALLED AND BURLAPPED	EACH	15.0	15.0			
X7240300	SIGN REMOVAL	EACH	17.0	17.0			
Z0013798	CONSTRUCTION LAYOUT	L SUM	1.0	1.0			
Z0015500	DEBRIS REMOVAL	L SUM	1.0	1.0			
Z0038700	PERMANENT BENCH MARKS	EACH	1.0		1.0		
Z0048665	RAILROAD PROTECTIVE LIABILITY INSURANCE	L SUM	1.0	1.0			

*SPECIALTY ITEM

FILE NAME =	USER NAME = keysrb	DESIGNED -	REVISED -	STATE OF ILLINOIS DEPARTMENT OF TRANSPORTATION	SUMMARY OF QUANTITIES				F.A.P. RTE.	SECTION	COUNTY	TOTAL SHEETS	SHEET NO.
c:\pwwork\pwwork\keysrb\d0101441\0570592-sh1-500.dgn		DRAWN -	REVISED -		71	121R	MCLEAN	87	5				
PLOT SCALE = 100.0000 / IN.	CHECKED -	REVISED -			CONTRACT NO. 70592								
PLOT DATE = 8/9/2010	DATE -	REVISED -			SCALE:	SHEET NO. OF SHEETS	STA. TO STA.	ILLINOIS FED. AID PROJECT					

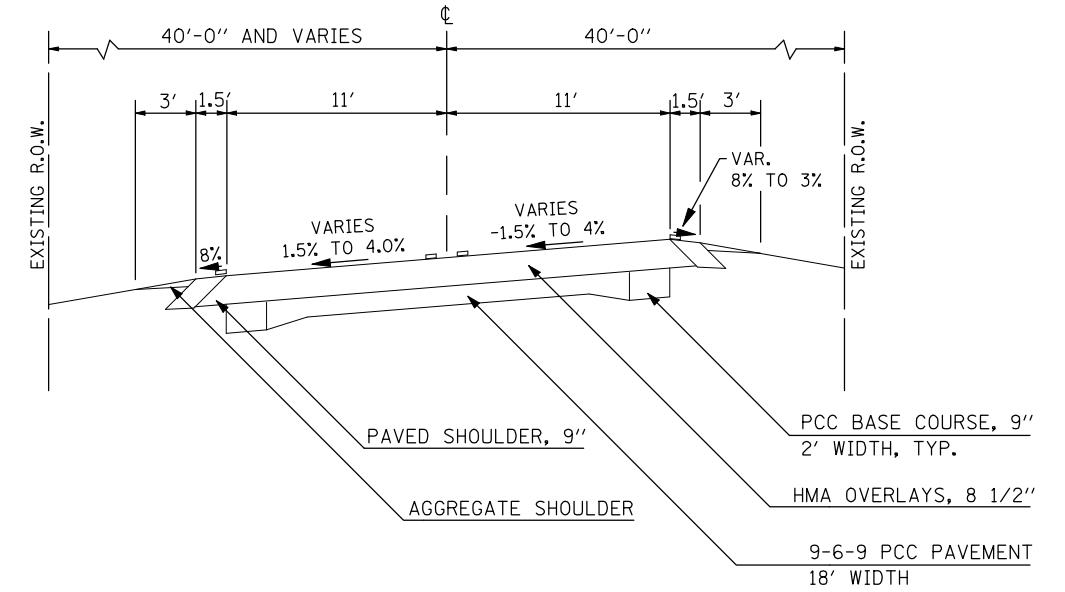
IL 54 EXISTING TYPICAL SECTION

STATION 355+00.00 TO STATION 360+00.00
STATION 377+91.00 TO STATION 400+00.00



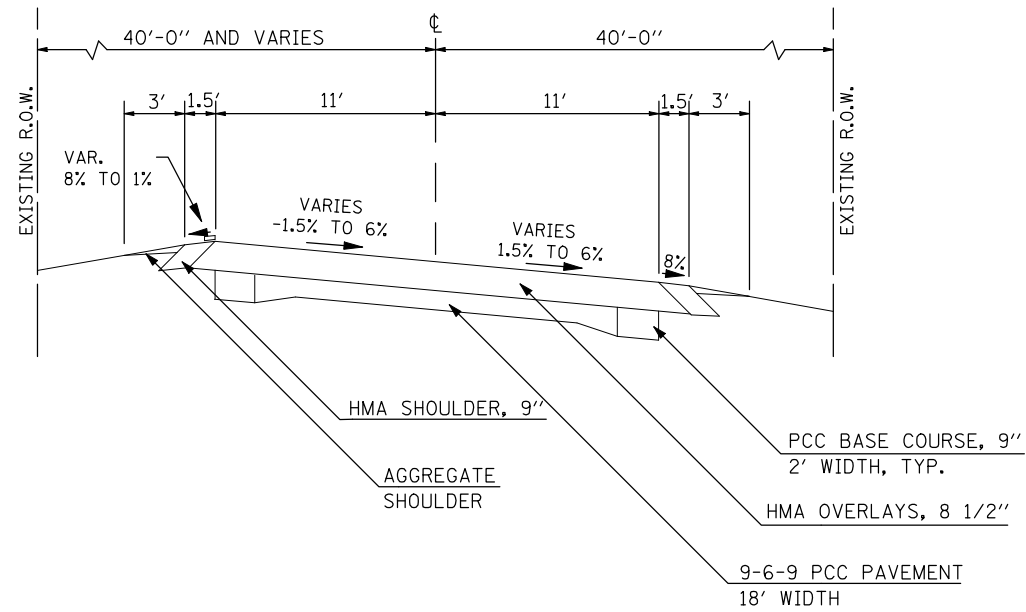
IL 54 EXISTING TYPICAL SECTION

STATION 360+00.00 TO 369+25.00

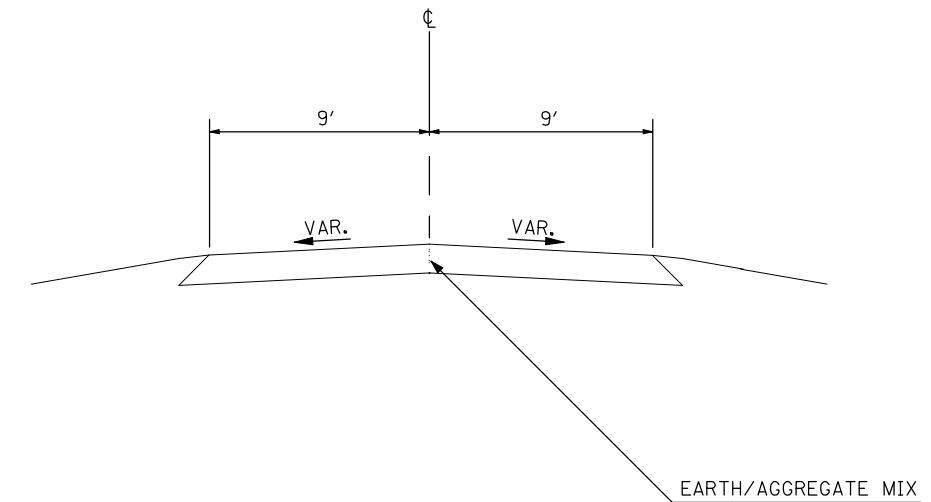


IL 54 EXISTING TYPICAL SECTION

STATION 369+25.00 TO STATION 377+91.00



TR 547 EXISTING TYPICAL SECTION



FILE NAME =	USER NAME = keysrb	DESIGNED -	REVISED -
ct:\pw\work\p\dot\keysrb\0101441\070592	sh-typicals.dgn	DRAWN -	REVISED -
	PLOT SCALE = 100.0000' / IN.	CHECKED -	REVISED -
	PLOT DATE = 10/16/2009	DATE -	REVISED -

STATE OF ILLINOIS
DEPARTMENT OF TRANSPORTATION

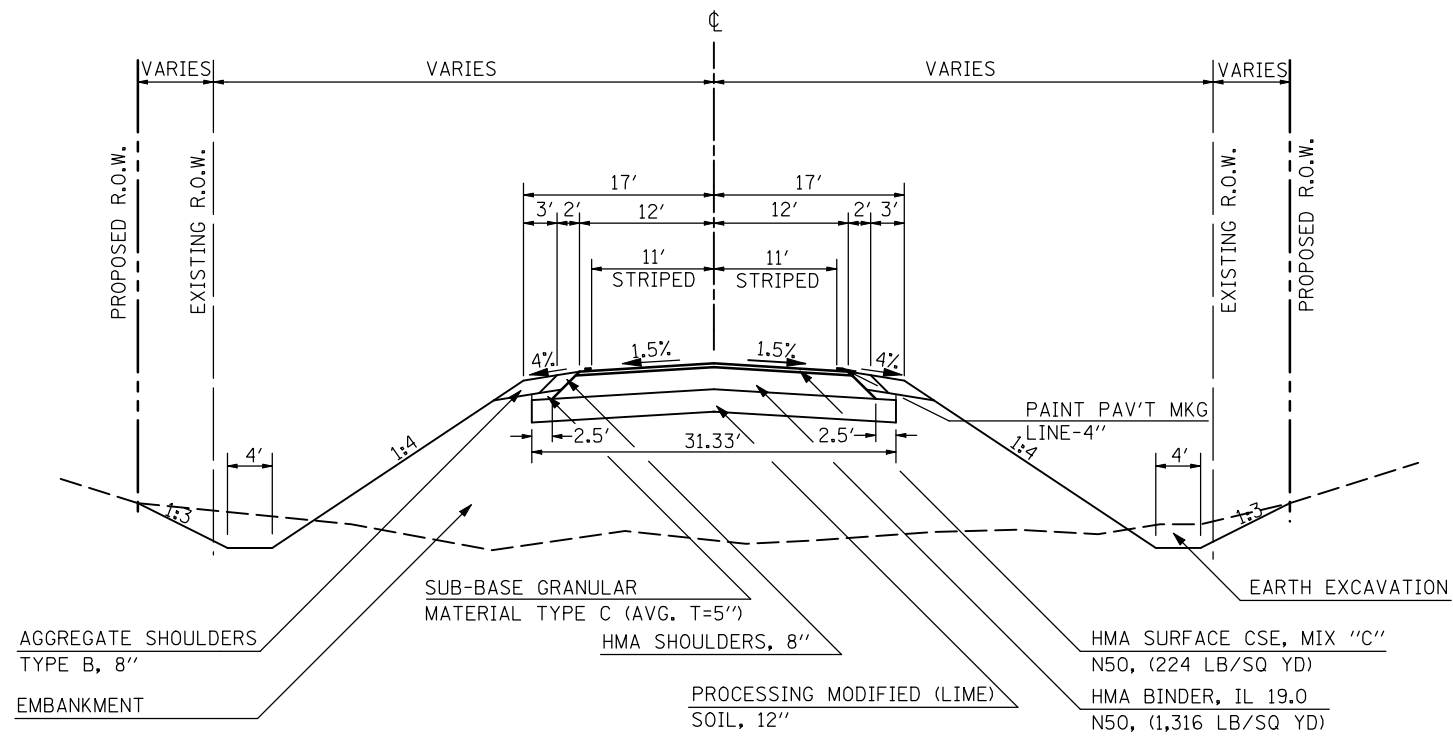
EXISTING TYPICAL SECTIONS

SCALE: SHEET NO. OF SHEETS STA. TO STA.

F.A.P. RTE.	SECTION	COUNTY	TOTAL SHEETS	SHEET NO.
71	121R	MCLEAN	87	6
CONTRACT NO. 70592				
ILLINOIS FED. AID PROJECT				

IL 54 PROPOSED TYPICAL SECTION

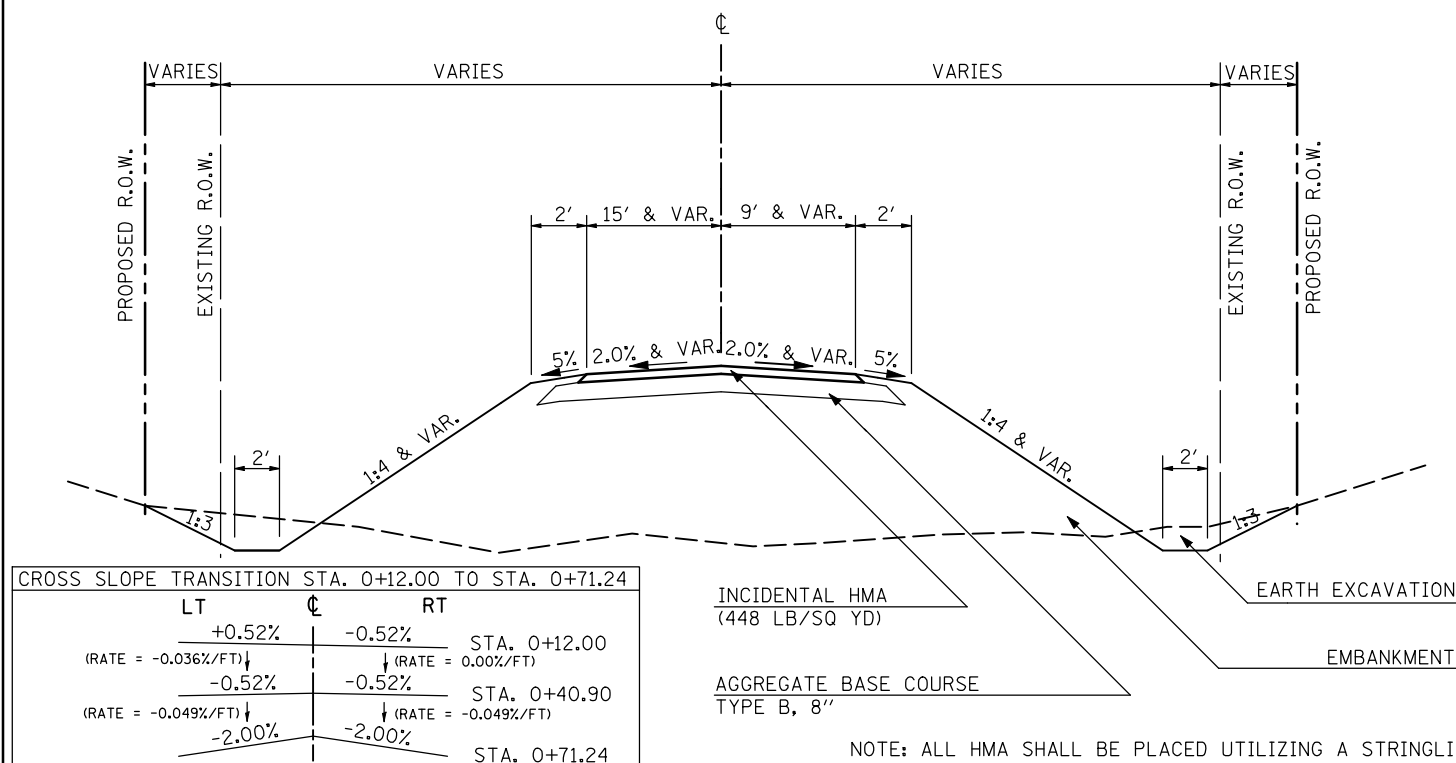
STATION 360+00.00 TO STATION 395+00.00
STATION EQUATION: STATION 389+63.66 (BK) = STATION 390+79.19 (AH)



- NOTES:
1. THE MINIMUM BINDER LIFT THICKNESS SHALL BE 2 1/4" AND THE MAXIMUM BINDER LIFT THICKNESS SHALL BE 6"
 2. ALL HMA SHALL BE PLACED UTILIZING A STRINGLINE

TR 547 PROPOSED TYPICAL SECTION

STATION 0+12.00 TO STATION 1+00.00
STATION EQUATION: STATION 376+00.00 (IL 54) = STATION 0+00.00 (TR 547)

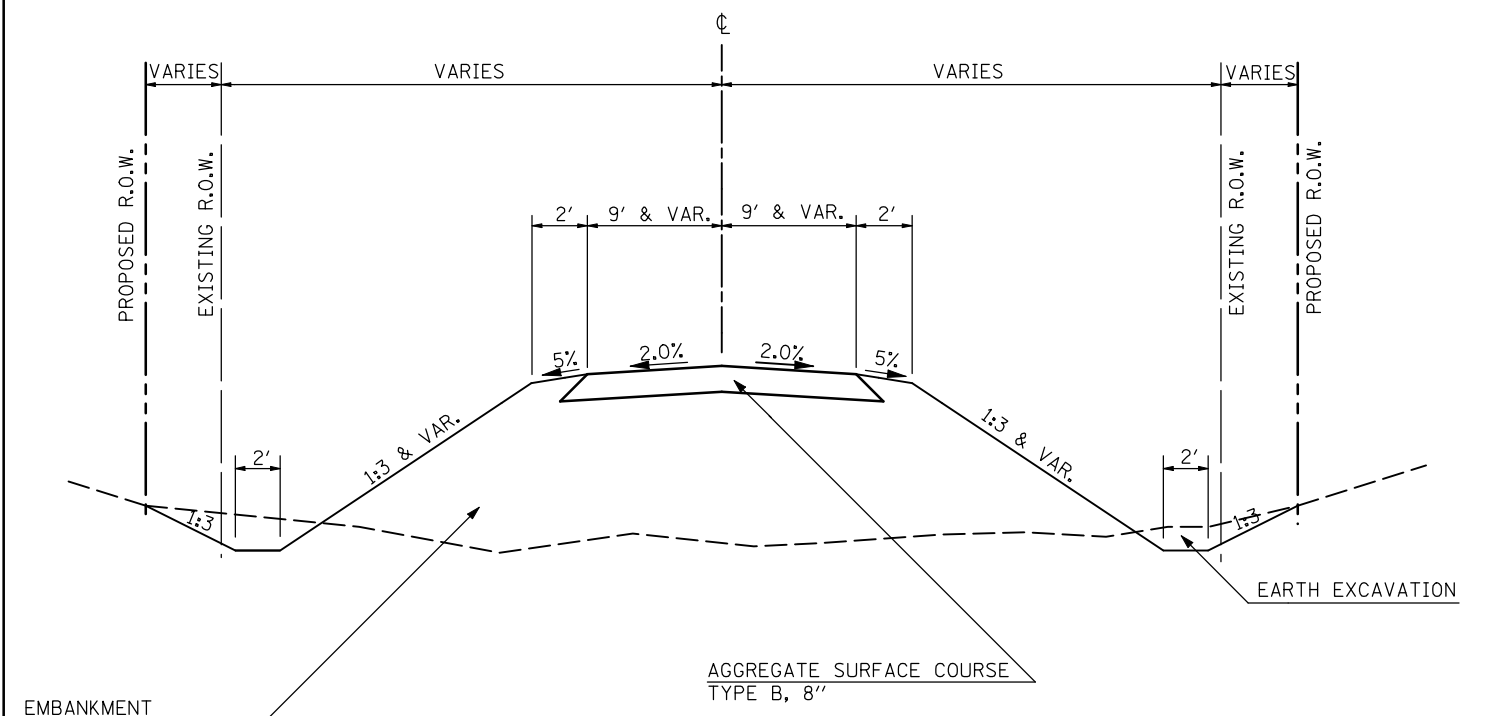


CROSS SLOPE TRANSITION STA. 0+12.00 TO STA. 0+71.24			
LT	C	RT	
+0.52%	-	-0.52%	STA. 0+12.00
(RATE = -0.036%/FT)		(RATE = 0.00%/FT)	
-0.52%	-	-0.52%	STA. 0+40.90
(RATE = -0.049%/FT)		(RATE = -0.049%/FT)	
-2.00%	-	-2.00%	STA. 0+71.24

NOTE: ALL HMA SHALL BE PLACED UTILIZING A STRINGLINE

TR 547 PROPOSED TYPICAL SECTION

STATION 1+00.00 TO STATION 4+74.96
STATION EQUATION: STATION 376+00.00 (IL 54) = STATION 0+00.00 (TR 547)



FILE NAME =
 c:\pwwork\pwwork\keysrb\0101441\070592\sh-typicals.dgn
 PLOT SCALE = 100.0000' / IN.
 PLOT DATE = 10/16/2009

USER NAME = keysrb
 DESIGNED -
 DRAWN -
 CHECKED -
 DATE -

REVISED -
 REVISED -
 REVISED -
 REVISED -

**STATE OF ILLINOIS
DEPARTMENT OF TRANSPORTATION**

PROPOSED TYPICAL SECTIONS

SCALE: SHEET NO. OF SHEETS STA. TO STA.

F.A.P. RTE.	SECTION	COUNTY	TOTAL SHEETS	SHEET NO.
71	121R	MCLEAN	87	7
CONTRACT NO. 70592				
ILLINOIS FED. AID PROJECT				

EARTHWORK

LOCATION	20200100 EARTH EXCAVATION (CUT) CU YD	50200100 STRUCTURE EXCAVATION CU YD	20201200 *REMOVAL AND DISPOSAL UNSUITABLE MATERIAL CU YD	**EARTH EXCAVATION ADJUSTED FOR SHRINKAGE CU YD	EMBANKMENT (FILL) CU YD	EARTHWORK BALANCE WASTE (+) OR SHORTAGE (-) CU YD	20400800 FURNISH EXCAVATION CU YD
IL 54	25117	1290	153	19805	37071	-17266	17266
TR 547	6144	766	0	5183	5039	144	-144
TOTAL	31261	2056	153	24988	42110	-17122	17122

*THIS IS FOR THE REMOVAL AND DISPOSAL OF 6" OF SILT MATERIAL FROM THE DITCH/STREAM BOTTOM AT THE FOLLOWING LOCATIONS:
 STA. 364+00 TO STA. 370+00; STA. 374+00 TO STA. 379+00; AND STA. 383+50 TO STA. 388+50.
 **SHRINKAGE FACTOR IS 25%

LANDSCAPING

LOCATION				25000200 SEEDING CLASS 2 ACRE	25000310 SEEDING CLASS 4 ACRE	25000350 SEEDING CLASS 7 ACRE	25100115 MULCH METHOD 2 ACRE	25100630 EROSION CONTROL BLANKET SQ YD	25000400 NITROGEN FERTILIZER NUTRIENT POUND	25000500 PHOSPHORUS FERTILIZER NUTRIENT POUND	25000600 POTASSIUM FERTILIZER NUTRIENT POUND
O/S	STA	O/S	STA								
LT	360+00.0	LT	362+00.0	0.17		0.17	0.17		15.4	15.4	15.4
LT	362+00.0	LT	363+50.0	0.17		0.17		821.18	15.3	15.3	15.3
LT	363+50.0	LT	363+70.0	0.01		0.01		25.19	0.5	0.5	0.5
LT	363+70.0	LT	366+50.0	0.25		0.25		1196.53	22.2	22.2	22.2
LT	366+50.0	LT	373+50.0	0.53		0.53	0.53		47.9	47.9	47.9
LT	373+50.0	LT	384+21.9	1.19		1.19	1.19		106.8	106.8	106.8
LT	384+21.9	LT	388+25.0	0.24		0.24	0.24		21.4	21.4	21.4
LT	388+25.0	LT	388+75.0	0.03		0.03	0.03		2.3	2.3	2.3
LT	388+75.0	LT	395+00.0	0.28		0.28	0.28		25.3	25.3	25.3
RT	360+00.0	RT	362+00.0	0.15		0.15	0.15		13.1	13.1	13.1
RT	362+00.0	RT	363+50.0	0.16		0.16		755.49	14.0	14.0	14.0
RT	363+50.0	RT	363+70.0	0.01		0.01		25.19	0.5	0.5	0.5
RT	363+70.0	RT	363+70.0	0.03		0.03	0.03		3.1	3.1	3.1
RT	363+70.0	RT	365+00.0	0.13		0.13		624.74	11.6	11.6	11.6
RT	365+00.0	RT	376+00	2.12		2.12	2.12		190.7	190.7	190.7
RT	365+50.0	RT	375+00.0		3.61	3.61	3.61		CL 4 - NO FERTILIZER PER SPEC.		
RT	378+00.0	RT	387+00.0		1.21	1.21	1.21		CL 4 - NO FERTILIZER PER SPEC.		
RT	376+00.0	RT	395+00.0	2.36		2.36	2.36		212.4	212.4	212.4
RT	1+00.0	RT	4+00.0		0.63	0.63	0.63		CL 4 - NO FERTILIZER PER SPEC.		
RT	2+50.0	RT	4+00.0	0.09		0.09	0.09		7.7	7.7	7.7
LT	3+00.0	LT	4+75.0	0.13		0.13	0.13		11.4	11.4	11.4
			TOTAL	8.02	5.44	13.46	12.75	3448.32	721.63	721.63	721.63
			USE	8.0	5.5	13.5	12.75	3450.0	722.0	722.0	722.0

28000400 PERIMETER EROSION BARRIER

O/S	STA	O/S	STA	FOOT
RT	365+70.0	RT	378+50.0	1370.0
RT	377+50.0	RT	381+00.0	379.0
RT	378+50.0	RT	386+85.0	925.0
RT	374+27.0	RT	376+17.0	357.0
			TOTAL	3031.0
			USE	3031.0

STONE RIPRAP CLASS A4 AND FILTER FABRIC

LOCATION				28101700 STONE RIPRAP CLASS A4 SQ YD	28200200 FILTER FABRIC SQ YD
O/S	STA	O/S	STA		
LT	363+70.0			200.0	200.0
RT	379+00.0			34.5	34.5
RT	388+50.0			68.2	68.2
			TOTAL	302.7	302.7
			USE	303.0	303.0

NOTE: ADDITIONAL FILTER FABRIC SHOWN ON BOX CULVERT SCHEDULE

21301052 EXPLORATION TRENCH 52" DEPTH

O/S	STA	STA	FOOT
RT	360+00.0	389+63.7	2963.7
RT	390+79.2	395+00.0	420.8
		TOTAL	3384.5
		USE	3385.0

28000500 INLET AND PIPE PROTECTION

O/S	STA	EACH
LT	379+00.0	1.0
RT	2+85.0	1.0
	TOTAL	2.0
	USE	2.0

28000300 TEMPORARY DITCH CHECK

O/S	STA	FOOT
LT	363+44.0	23.0
LT	364+00.0	23.0
LT	366+00.0	23.0
LT	368+00.0	23.0
LT	370+00.0	23.0
LT	372+00.0	23.0
LT	376+50.0	23.0
LT	381+50.0	23.0
LT	388+25.0	23.0
LT	385+12.0	23.0
LT	389+00.0	23.0
LT	392+75.0	23.0
RT	363+50.0	23.0
RT	361+50.0	23.0
RT	364+00.0	23.0
RT	368+00.0	23.0
RT	373+50.0	23.0
RT	378+00.0	23.0
RT	383+50.0	23.0
RT	388+25.0	23.0
RT	392+00.0	23.0
RT	0+89.6	23.0
LT	1+25.0	23.0
TOTAL		529.0
USE		529.0

40200800 AGGREGATE SURFACE COURSE TYPE B

O/S	STA	TO	STA	THICKNESS	TON
CL	1+00.0	TO	4+74.96	8"	349.2
RT	2+50.0			6"	48.9
LT	3+00.0			6"	56.4
RT	4+00.0			6"	39.2
LT	373+50.0			6"	26.5
LT	384+21.9			6"	35.1
			TOTAL		555.3
			USE		556.0

31101900 SUBBASE GRANULAR MATERIAL TYPE C

O/S	STA	TO	STA	TON
LT	360+00.0	TO	389+63.7	224.1
LT	390+79.2	TO	395+00.0	31.8
RT	360+00.0	TO	375+42.0	116.6
RT	375+42.0	TO	376+90.9	4.5
RT	376+90.9	TO	389+63.7	96.2
RT	390+79.2	TO	395+00.0	31.8
			TOTAL	505.0
			USE	505.0

LIME MODIFICATION

LOCATION		30201500 LIME TON	30200650 PROCESSING MODIFIED SOIL, 12" SQ YD
STA TO STA			
360+00.0 TO	363+42.9	26.9	1193.7
363+97.1 TO	388+28.3	190.4	8463.1
388+71.8 TO	389+63.7	7.2	319.9
390+79.2 TO	395+00.0	33.0	1464.9
	TOTAL	257.4	11441.6
	USE	258.0	11442.0

35101400 AGGREGATE BASE COURSE TYPE B

O/S	STA	THICKNESS	TON
RT	376+00.0	8"	238.5
LT	373+50.0	6"	5.7
LT	384+21.9	6"	5.7
	TOTAL		249.9
	USE		250.0

HOT-MIX ASPHALT

LOCATION				40603310 HMA SURFACE COURSE MIX "C", N50 TON	40603080 HMA BINDER COURSE, IL 19.0, N50 TON	40600100 BITUMINOUS MATERIALS (PRIME COAT) GALLON
STA	TO	STA				
360+00.0	TO	389+63.7		897.3	5481.9	1636.6
390+79.2	TO	395+00.0		127.4	778.3	232.4
		TOTAL		1024.7	6260.2	1869.0
		USE		1025.0	6261.0	1869.0

NOTE: ADDITIONAL BIT. MATL'S PRIME COAT SHOWN ON HMA SHOULDERS SCHEDULE

*STATIONING IS RELATIVE TO EXISTING ALIGNMENT

INCIDENTAL HOT-MIX ASPHALT

LOCATION		THICKNESS	40800050 INCIDENTAL HMA SURFACE TON	40800010 BITUMINOUS MATERIALS (PRIME COAT) GALLON
O/S	STA	INCH		
LT	373+50.0	2.0	1.9	1.7
RT	376+00.0	4.0	127.1	56.7
LT	384+21.9	2.0	1.9	1.7
TOTAL			130.9	60.1
USE			131.0	61.0

PAVEMENT AND SHOULDER REMOVAL

LOCATION		44000100 PAVEMENT REMOVAL SQ YD	44004250 PAVED SHOULDER REMOVAL SQ YD
*STA	TO		
360+00.0	395+00.0	8577.0	1167.0

48100200 AGGREGATE SHOULDERS, TYPE B

O/S	STA	TO	STA	TON
LT	360+00.0	TO	361+66.0	29.7
LT	361+66.0	TO	366+77.0	68.22
LT	366+77.0	TO	373+26.0	115.92
LT	373+75.0	TO	383+98.0	182.7
LT	384+46.0	TO	386+73.0	40.5
LT	386+73.0	TO	389+63.7	38.7
LT	390+79.2	TO	392+29.0	19.98
LT	392+29.0	TO	395+00.0	48.42
RT	360+00.0	TO	361+00.0	9
RT	361+00.0	TO	361+20.0	3.6
RT	361+20.0	TO	365+60.0	58.68
RT	365+60.0	TO	375+45.0	17.46
RT	376+86.0	TO	384+85.0	142.74
RT	384+85.0	TO	389+63.7	63.9
RT	390+79.2	TO	390+99.0	2.7
RT	390+99.0	TO	395+00.0	71.64
TOTAL				913.9
USE				914.0

HMA SHOULDER

LOCATION		48203029 HMA SHOULDER, 8" SQ YD	40600100 BITUMINOUS MATERIALS (PRIME COAT) GALLON	
O/S	STA	TO	STA	
LT & RT	360+00.0	TO	375+42.0	685.3
LT	375+42.0	TO	376+91.0	33.1
LT & RT	376+91.0	TO	389+63.7	565.6
LT & RT	390+79.2	TO	395+00.0	187
TOTAL				1471.0
USE				1471.0

REMOVAL OF EXISTING STRUCTURES

LOCATION		PCC STRUCTURE DESCRIPTION DIMENSIONS	APPROX. CONCRETE VOLUME CU YD	50100300 REMOVE EXISTING STRUCTURES NO. 1 EACH	50100400 REMOVE EXISTING STRUCTURES NO. 2 EACH	50100500 REMOVE EXISTING STRUCTURES NO. 3 EACH
O/S	*STA					
CL	363+70.0	12'x4'x50"	47.4	1.0		
CL	379+92.0	24'x18'x55'	10.7		1.0	
LT	385+57.0	5'x2'x22.5'	5.0			1.0
TOTAL				1.0	1.0	1.0
USE				1.0	1.0	1.0

50105220 PIPE CULVERT REMOVAL

O/S	STA	DESCRIPTION	FOOT
LT	363+70.0	36" STEEL	23.6
RT	379+92.0	48" CAST IRON	61.7
TOTAL			85.3
USE			86.0

63200310 GUARDRAIL REMOVAL

O/S	*STA	FOOT
LT	363+70.0	202.0
RT	363+70.0	163.0
TOTAL		365.0
USE		365.0

63500120 DELINEATOR REMOVAL

O/S	*STA	TO	*STA	EACH
RT & LT	362+50.0	TO	365+00.0	5.0
RT & LT	379+92.0	TO	379+92.0	2.0
TOTAL				7.0
USE				7.0

BOX CULVERTS

LOCATION		STRUCTURE	54001001 BOX CULVERT END SECTIONS CULVERT NO. 1 EACH	54001002 BOX CULVERT END SECTIONS CULVERT NO. 2 EACH	54001003 BOX CULVERT END SECTIONS CULVERT NO. 3 EACH	54011206 PRECAST BOX CULVERT 12'x6' (M259) FOOT	54021203 PRECAST BOX CULVERT 12'x3' (M273) FOOT	54011203 PRECAST BOX CULVERT 12'x3' (M259) FOOT	51500100 NAME PLATE EACH	28100201 STONE RIPRAP CLASS A1 TON	28200200 FILTER FABRIC SQ YD	20700220 POROUS GRANULAR EMBANKMENT CU YD	50200100 STRUCTURE EXCAVATION CU YD
STA	NUMBER												
363+70.0	057-2047		2.0			108.0			1.0	196.9	286.7	351.5	757.2
0+76.3	057-2048			2.0				194.0	1.0	312.5	455.1	104.8	766.1
388+50.0	057-2049				2.0		78.0		1.0	155.0	225.8	68.3	532.7
TOTAL			2.0	2.0	2.0	108.0	78.0	194.0	3.0	664.4	967.6	524.6	2056.0
USE			2.0	2.0	2.0	108.0	78.0	194.0	3.0	665.0	968.0	525.0	2056.0

PIPE CULVERTS

LOCATION		542A1063 PIPE CULVERT, CLASS A, TYPE 2 18" FOOT	542D0220 PIPE CULVERT, CLASS D, TYPE 1 15" FOOT	54213450 END SECTIONS 15" EACH	54213663 PRECAST FLARED END SECTION 18" EACH	20900110 POROUS GRANULAR BACKFILL CU YD
O/S	STA					
RT	2+50		74.0	2.0		
CL	379+00.0	95.0			2.0	11.0
TOTAL		95.0	74.0	2.0	2.0	11.0
USE		95.0	74.0	2.0	2.0	11.0

FIELD TILE ITEMS

LOCATION		61101017 STORM SEWERS PROTECTED, CLA 15" FOOT	61100605 MISCELLANEOUS CONCRETE CU YD	20800150 TRENCH BACKFILL CU YD
O/S	STA			
CL	363+70.0	145.0	2.7	50.0
TOTAL		145.0	2.7	50.0
USE		145.0	2.7	50.0

STEEL PLATE BEAM GUARDRAIL ITEMS

LOCATION		63000001 STEEL PLATE BEAM GUARDRAIL TYPE A 6 FOOT POSTS FOOT	63000025 STEEL PLATE BEAM GUARDRAIL ATTACHED TO STRUCTURES FOOT	63100167 TRAFFIC BARRIER TERMINAL TYPE 1 SPECIAL (TANGENT) EACH	63100169 TRAFFIC BARRIER TERMINAL TYPE 1 SPECIAL (FLARED) EACH	78200405 GUARDRAIL MARKERS EACH	78201000 TERMINAL MARKERS DIRECT APPLIED EACH
O/S	STA	TO	STA	LENGTH	COMMENTS		
RT	361+52.3	TO	362+02.3	50.0	TBT TY 1 SPL (FLARED)		
RT	362+02.3	TO	364+77.3	275.0	SPBGR TY A	275.0	
RT	364+77.3	TO	365+27.3	50.0	TBT TY 1 SPL (FLARED)		
RT	386+18.7	TO	386+68.7	50.0	TBT TY 1 SPL (FLARED)		
RT	386+68.7	TO	388+31.2	162.5	SPBGR TY A	162.5	
RT	388+31.2	TO	388+68.7	37.5	SBPGR ATTACHED TO STRUCTURES		37.5
RT	388+68.7	TO	389+43.7	75.0	SPBGR TY A	75.0	
RT	389+43.7	TO	391+09.2	50.0	TBT TY 1 SPL (FLARED)		
LT	361+63.9	TO	362+33.9	50.0	TBT TY 1 SPL (TANGENT)		
LT	362+33.9	TO	366+08.9	375.0	SPBGR TY A	375.0	
LT	366+08.9	TO	366+58.9	50.0	TBT TY 1 SPL (TANGENT)		
LT	387+05.7	TO	387+55.7	50.0	TBT TY 1 SPL (FLARED)		
LT	387+55.7	TO	388+30.7	75.0	SPBGR TY A	75.0	
LT	388+30.7	TO	388+68.2	37.5	SBPGR ATTACHED TO STRUCTURES		37.5
LT	388+68.2	TO	391+46.2	162.5	SPBGR TY A	162.5	
LT	391+46.2	TO	391+96.2	50.0	TBT TY 1 SPL (FLARED)		
TOTAL						1125.0	75.0
USE						1125.0	75.0

*STATIONING IS RELATIVE TO EXISTING ALIGNMENT

68600105 FURNISH AND ERECT RIGHT OF WAY MARKERS

IL 54			TR 547			EACH
STA	O/S		STA	O/S		
359+00.00	40.00	RT				1.0
362+34.37	75.00	RT				1.0
365+70.78	87.71	RT				1.0
365+78.27	80.00	RT				1.0
370+10.00	80.00	RT				1.0
371+30.00	130.00	RT				1.0
372+70.00	130.00	RT				1.0
375+07.72	100.00	RT	0+87.69	94.18	RT	1.0
			0+60.21	45.00	RT	1.0
			0+74.96	45.00	LT	1.0
			0+14.16	45.00	LT	1.0
377+00.00	95.00	RT				1.0
380+00.00	95.00	RT				1.0
381+47.69	116.21	RT				1.0
386+84.38	60.00	RT				1.0
393+00.00	60.00	RT				1.0
393+00.00	40.00	RT				1.0
360+00.00	40.86	LT				1.0
360+00.00	65.86	LT				1.0
367+50.00	66.46	LT				1.0
367+50.00	58.46	LT				1.0
371+42.71	58.78	LT				1.0
374+18.18	59.01	LT				1.0
375+50.00	59.11	LT				1.0
375+50.00	65.11	LT				1.0
382+50.00	64.68	LT				1.0
382+50.00	55.68	LT				1.0
387+00.00	55.10	LT				1.0
387+00.00	51.10	LT				1.0
393+00.00	50.47	LT				1.0
393+00.00	40.47	LT				1.0
TOTAL						31.0
USE						31.0

PAVEMENT MARKING ITEMS

LOCATION			LT EDGE (WHITE)	RT EDGE (WHITE)	CL DASH (YELLOW)	78001110 PAINT PAVEMENT MARKING LINE 4"	78100100 RAISED REFLECTIVE PAVEMENT MARKERS	70300220 TEMPORARY PAVEMENT MARKING LINE 4"	70301000 WORK ZONE PAVEMENT MARKING REMOVAL
STA	TO	STA	FOOT	FOOT	FOOT	FOOT	EACH	FOOT	SQ FT
360+00.0	TO	375+28.2	1528.2	1528.2	382.0	3438.4	19.0	3438.4	1146.2
375+28.2	TO	377+12.2	184.0		46.0	230.0	3.0	230.0	76.7
377+12.2	TO	389+63.7	1251.5	1251.5	312.9	2815.8	16.0	2815.8	938.6
390+79.2	TO	395+00.0	420.8	420.8	105.2	946.8	6.0	946.8	315.6
TOTAL						7431.1	44.0	7431.1	2477.0
USE						7432.0	44.0	7432.0	2477.0

SIGN PANEL AND POST

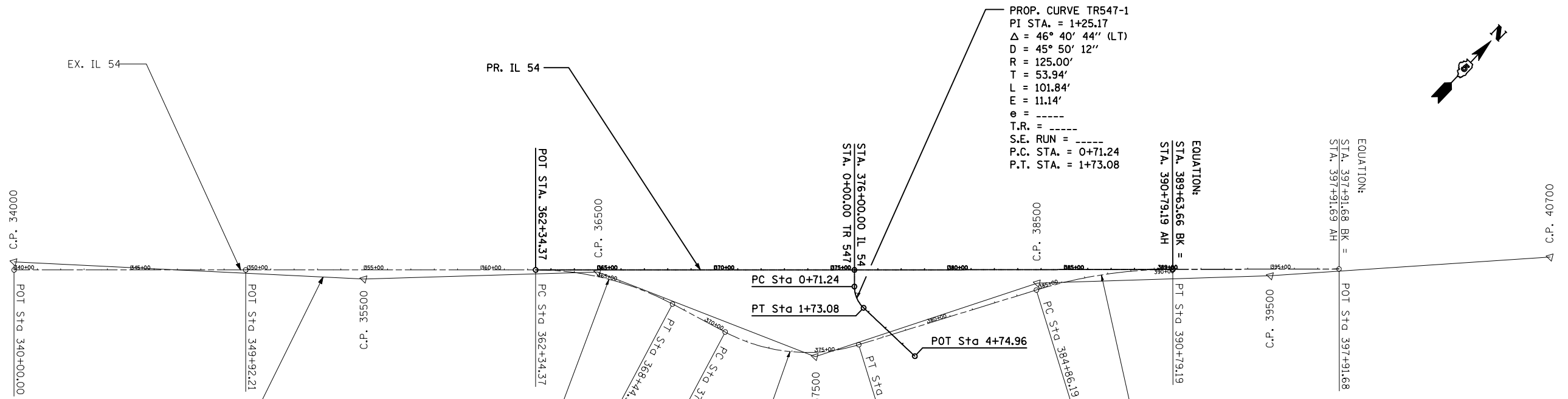
LOCATION/DESCRIPTION				72000100 SIGN PANEL TYPE 1	72900100 METAL POST TYPE A
O/S	STATION	MUTCD #	DESCRIPTION	SQ FT	FOOT
30.2 LT	0+61.2	R1-1	STOP SIGN	4.0	12.5
TOTAL				4.0	12.5
USE				4.0	12.5

X7240300 SIGN REMOVAL

O/S	*STATION	MUTCD #	SIGN DESCRIPTION	EACH
RT	356+29	W1-4	"REVERSE CURVE" WITH 45 MPH ADVISORY SIGNS	1.0
LT	356+29	W1-4	"REVERSE CURVE" WITH 45 MPH ADVISORY SIGNS	1.0
RT	362+78	W1-13	"TRUCK ROLLOVER WARNING" WITH 45 MPH ADVISORY SPEED SIGNS	1.0
LT	365+04	W1-8	"CHEVRON"	1.0
LT	365+84	W1-8	"CHEVRON"	1.0
LT	366+84	W1-8	"CHEVRON"	1.0
LT	367+46	W1-8	"CHEVRON"	1.0
RT	371+99	W1-8	"CHEVRON"	1.0
RT	372+78	W1-8	"CHEVRON"	1.0
RT	373+60	W1-8	"CHEVRON"	1.0
RT	374+39	W1-8	"CHEVRON"	1.0
RT	375+12	W1-8	"CHEVRON"	1.0
RT	380+19	W1-2	"CURVE" WITH 50 MPH ADVISORY SPEED SIGNS	1.0
RT	384+78	W1-4	"REVERSE CURVE" WITH 45 MPH ADVISORY SIGNS	1.0
LT	384+78	W1-4	"REVERSE CURVE" WITH 45 MPH ADVISORY SIGNS	1.0
LT	390+97	W1-13	"TRUCK ROLLOVER WARNING" WITH 45 MPH ADVISORY SPEED SIGNS	1.0
LT	395+68	W1-2	"CURVE" WITH 50 MPH ADVISORY SPEED SIGNS	1.0
TOTAL				17.0
USE				17.0

*STATIONING IS RELATIVE TO EXISTING ALIGNMENT

FILE NAME =	USER NAME = keysrb	DESIGNED -	REVISED -	STATE OF ILLINOIS DEPARTMENT OF TRANSPORTATION	SCHEDULE OF QUANTITIES	F.A.P. RTE.	SECTION	COUNTY	TOTAL SHEETS	SHEET NO.	
ct:\pw\work\p\d0t\keysrb\d0101441\0570592-sht-Schedules		DRAWN -	REVISED -			71	121R	MCLEAN	87	10	
	PLOT SCALE = 100.0000' / IN.	CHECKED -	REVISED -			CONTRACT NO. 70592					
	PLOT DATE = 8/9/2010	DATE -	REVISED -			SCALE:	SHEET NO.	OF SHEETS	STA.	TO STA.	ILLINOIS FED. AID PROJECT



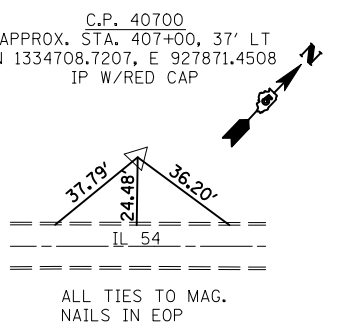
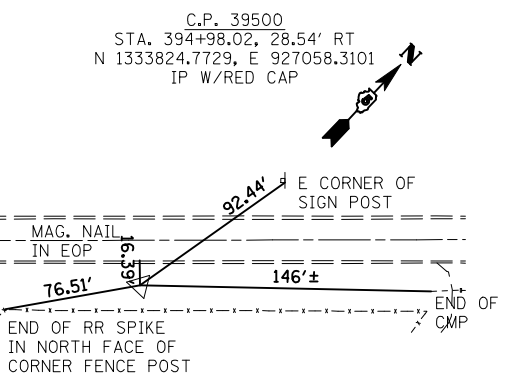
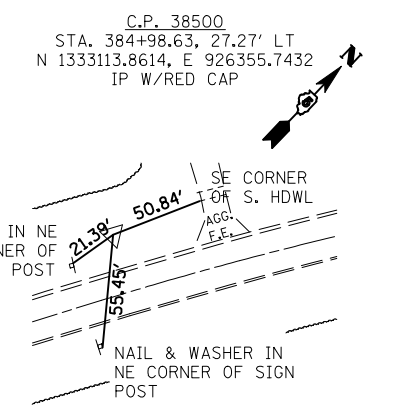
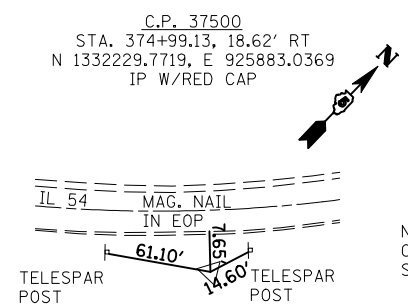
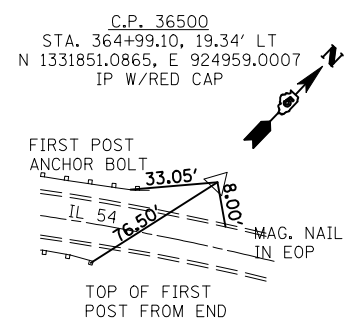
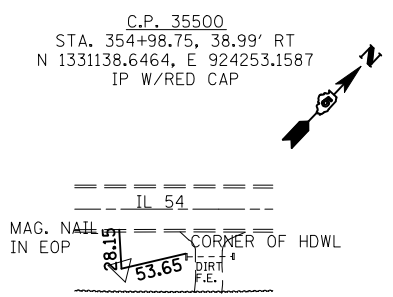
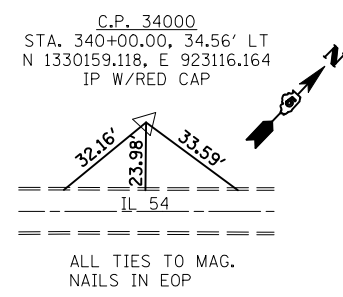
PROP. CURVE TR547-1
 PI STA. = 1+25.17
 Δ = 46° 40' 44" (LT)
 D = 45° 50' 12"
 R = 125.00'
 T = 53.94'
 L = 101.84'
 E = 11.14'
 e = -----
 T.R. = -----
 S.E. RUN = -----
 P.C. STA. = 0+71.24
 P.T. STA. = 1+73.08

EXIST. CURVEMA111C1
 PI STA. = 365+45.65
 Δ = 27° 58' 02" (RT)
 D = 4° 35' 01"
 R = 1,250.00'
 T = 311.28'
 L = 610.15'
 E = 38.18'
 e = -----
 T.R. = -----
 S.E. RUN = -----
 P.C. STA. = 362+34.37
 P.T. STA. = 368+44.52

EXIST. CURVEMA111C2
 PI STA. = 374+11.28
 Δ = 45° 04' 34" (LT)
 D = 7° 38' 22"
 R = 750.00'
 T = 311.24'
 L = 590.04'
 E = 62.02'
 e = -----
 T.R. = -----
 S.E. RUN = -----
 P.C. STA. = 371+00.04
 P.T. STA. = 376+90.08

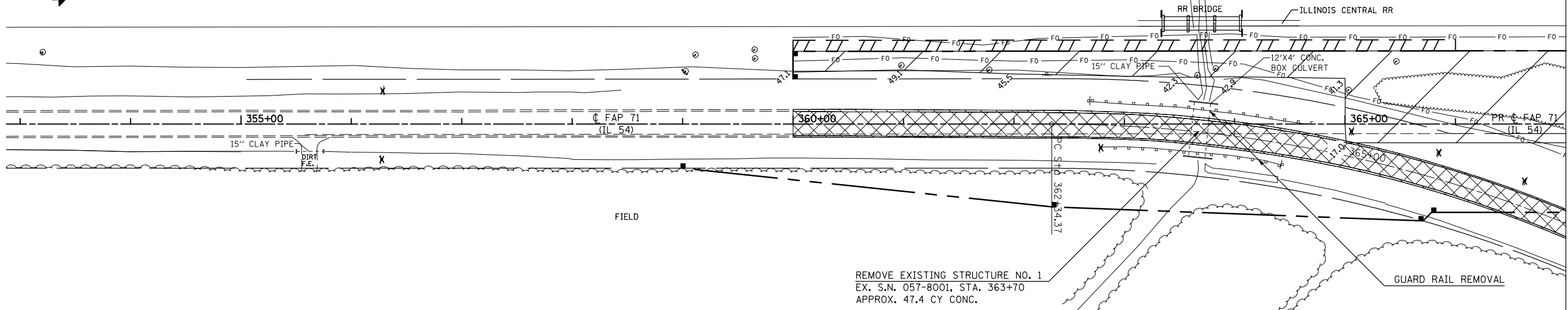
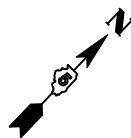
EXIST. CURVEMA111C3
 PI STA. = 387+84.88
 Δ = 16° 59' 17" (RT)
 D = 2° 51' 53"
 R = 2,000.00'
 T = 298.69'
 L = 593.00'
 E = 22.18'
 e = -----
 T.R. = -----
 S.E. RUN = -----
 P.C. STA. = 384+86.19
 P.T. STA. = 390+79.19

POINT	NORTHING	EASTING
POT 340+00.00	1330134.2078	923140.1149
POT 349+92.21	1330817.8757	923859.1954
PC/POT 362+34.37	1331673.7768	924759.4199
PT 368+44.52	1331971.9029	925284.8447
PC 371+00.04	1332040.5598	925530.9621
PT 376+90.08	1332395.5194	925983.2519
PC 384+86.19	1333089.5299	926373.3007
PT/SE 390+79.19	1333556.1784	926735.6744
POT 397+91.68	1334048.2049	927251.0006
PI 0+00.00	1332614.7493	925749.1212
PC 0+71.24	1332563.1207	925798.2072
PT 1+73.08	1332524.2512	925889.3060
POT 4+74.96	1332525.4779	926191.1885



BM #DS1	CHISELED SQUARE ON SOUTH SIDE OF A CONCRETE RR SIGNAL FOUNDATION AT THE INTERSECTION OF THE ABANDONED RR BED AND THE LIVE ILLINOIS CENTRAL RAIL APPROX. STA. 377+90, 400' LT	EL. 765.87
BM #355	CHISELED SQUARE ON CENTER OF THE SOUTH HEADWALL OF THE 15" CLAY PIPE UNDER THE DIRT F.E. AT APPROX. STA. 355+50, 25' RT	EL. 756.93
BM #363	CHISELED SQUARE ON SOUTH CORNER OF EAST HEADWALL OF 12'X4' CONC. BOX CULVERT AT APPROX. STA. 363+50, 25' RT	EL. 754.03
BM #374	METAL F.P. AT GRADE, SOUTH OF ABANDONED RR BED APPROX. 363' WEST OF IL 54	EL. 759.75
BM #380	CHISELED SQUARE IN TOP CENTER OF WEST HEADWALL OF 24"X18" CONC. BOX CULVERT AT APPROX. STA. 379+93, 30' LT	EL. 759.26
BM #394	RR SPIKE IN SOUTHWEST CORNER F.P. W. SIDE OF F.P. AT APPROX. STA. 394+25, 35' RT	EL. 764.88

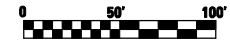
NOTE: ALL COORDINATES ARE GROUND COORDINATES



MATCHLINE PR. STA. 367+00

REMOVE EXISTING STRUCTURE NO. 1
 EX. S.N. 057-8001, STA. 363+70
 APPROX. 47.4 CY CONC.

GUARD RAIL REMOVAL



LEGEND	
x	SIGN REMOVAL
	PAVEMENT REMOVAL
	PAVED SHOULDER REMOVAL
	TREE REMOVAL

NOTE: TREE REMOVAL LAYOUT IS RELATIVE TO THE PROPOSED ALIGNMENT.

FILE NAME =	USER NAME = keysrb	DESIGNED -	REVISED -
ct\pw\work\p\dot\keysrb\0101441\070592\shtrremoval.dgn		DRAWN -	REVISED -
	PLOT SCALE = 100.0000' / IN.	CHECKED -	REVISED -
	PLOT DATE = 10/16/2009	DATE -	REVISED -

**STATE OF ILLINOIS
 DEPARTMENT OF TRANSPORTATION**

REMOVAL ITEMS

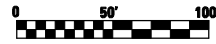
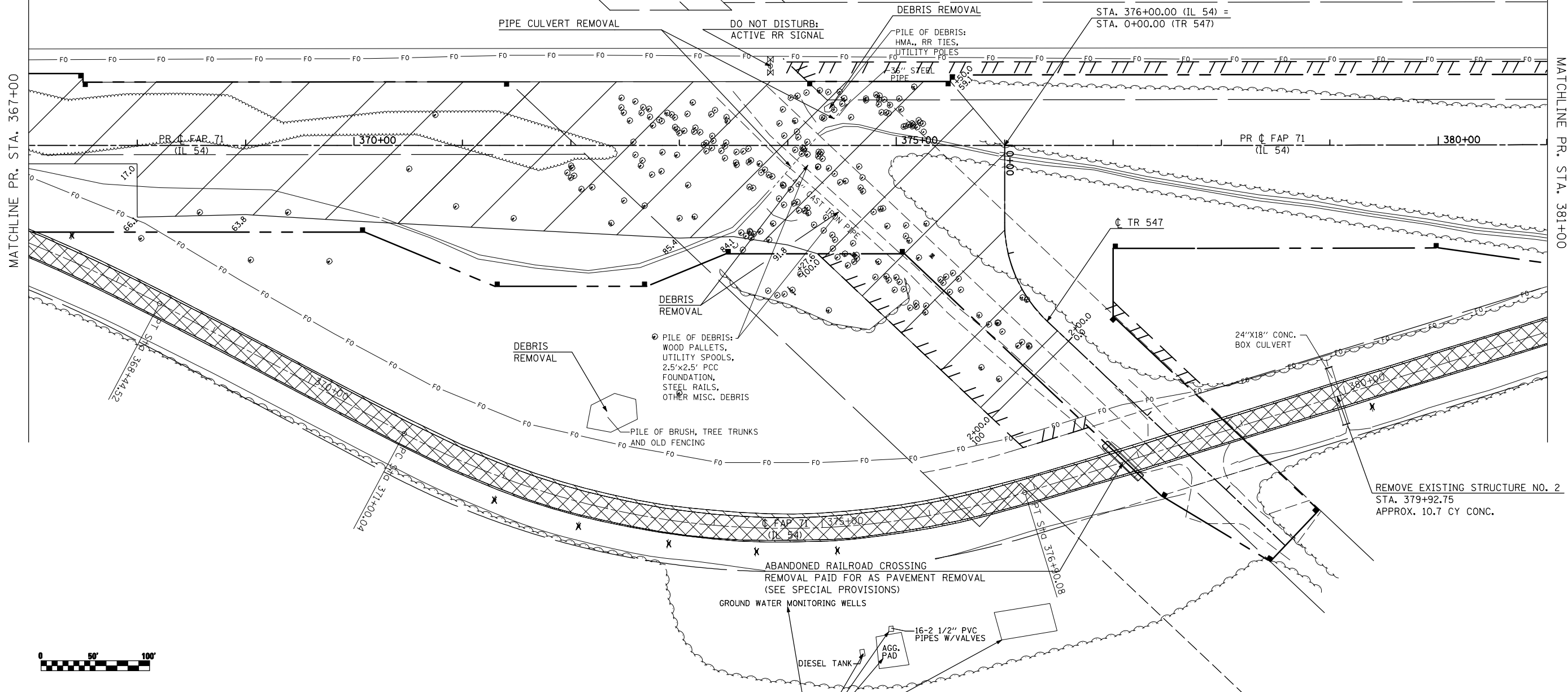
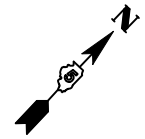
SCALE: SHEET NO. OF SHEETS STA. 360+00 TO STA. 367+00

F.A.P. RTE.	SECTION	COUNTY	TOTAL SHEETS	SHEET NO.
71	121R	MCLEAN	87	12
CONTRACT NO. 70592				
ILLINOIS FED. AID PROJECT				

SEC. 32, TWP. 22 N, RNG. 6E, 3RD P.M.

SEC. 29, TWP. 22 N, RNG. 6E, 3RD P.M.

SECTION 29
SECTION 32



LEGEND	
X	SIGN REMOVAL
	PAVEMENT REMOVAL
	PAVED SHOULDER REMOVAL
	TREE REMOVAL

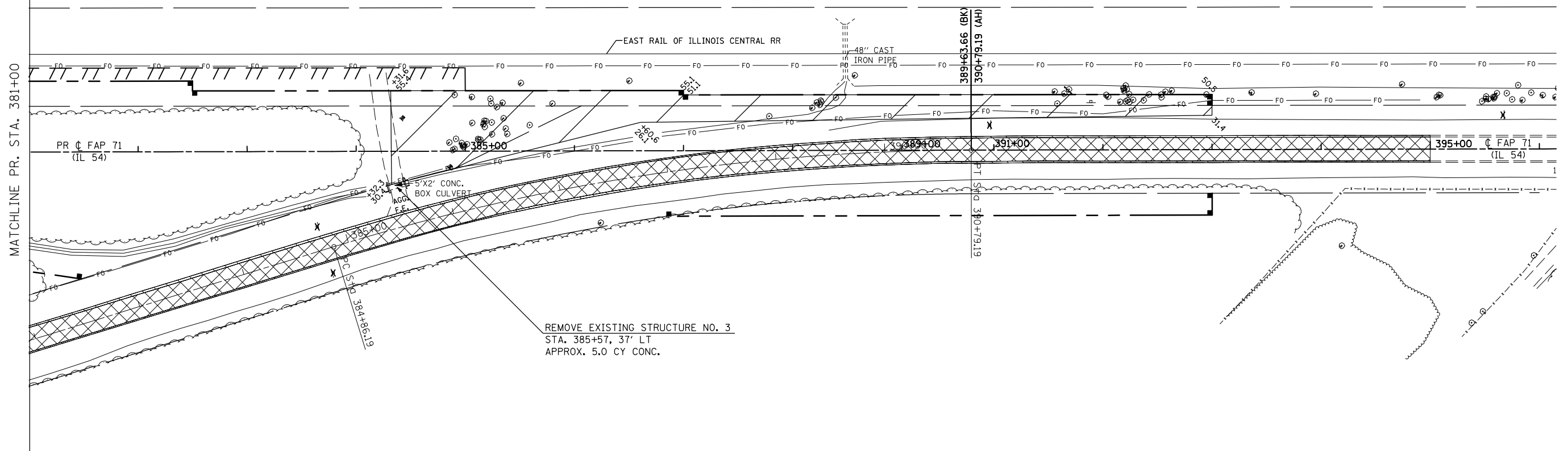
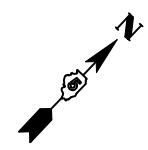
NOTE: TREE REMOVAL LAYOUT IS RELATIVE TO THE PROPOSED ALIGNMENT.

FILE NAME =	USER NAME = keysrb	DESIGNED -	REVISED -
ct:\pw\work\p\dot\keysrb\101441\070592\sh\removal.dgn		DRAWN -	REVISED -
		CHECKED -	REVISED -
		DATE -	REVISED -

**STATE OF ILLINOIS
DEPARTMENT OF TRANSPORTATION**

REMOVAL ITEMS			
F.A.P. RTE.	SECTION	COUNTY	TOTAL SHEETS
70	121R	MCLEAN	87
			13
CONTRACT NO. 70592			

SCALE:	SHEET NO.	OF	SHEETS	STA. 367+00 TO STA. 381+00
ILLINOIS FED. AID PROJECT				



REMOVE EXISTING STRUCTURE NO. 3
 STA. 385+57, 37' LT
 APPROX. 5.0 CY CONC.



LEGEND	
X	SIGN REMOVAL
[Cross-hatched box]	PAVEMENT REMOVAL
[Diagonal hatched box]	PAVED SHOULDER REMOVAL
[Wavy hatched box]	TREE REMOVAL

NOTE: TREE REMOVAL LAYOUT IS RELATIVE TO THE PROPOSED ALIGNMENT.

FILE NAME =	USER NAME = keysrb	DESIGNED -	REVISED -
ct:\pw\work\p\dot\keysrb\0101441\070592\shtrremoval.dgn		DRAWN -	REVISED -
		CHECKED -	REVISED -
		DATE -	REVISED -

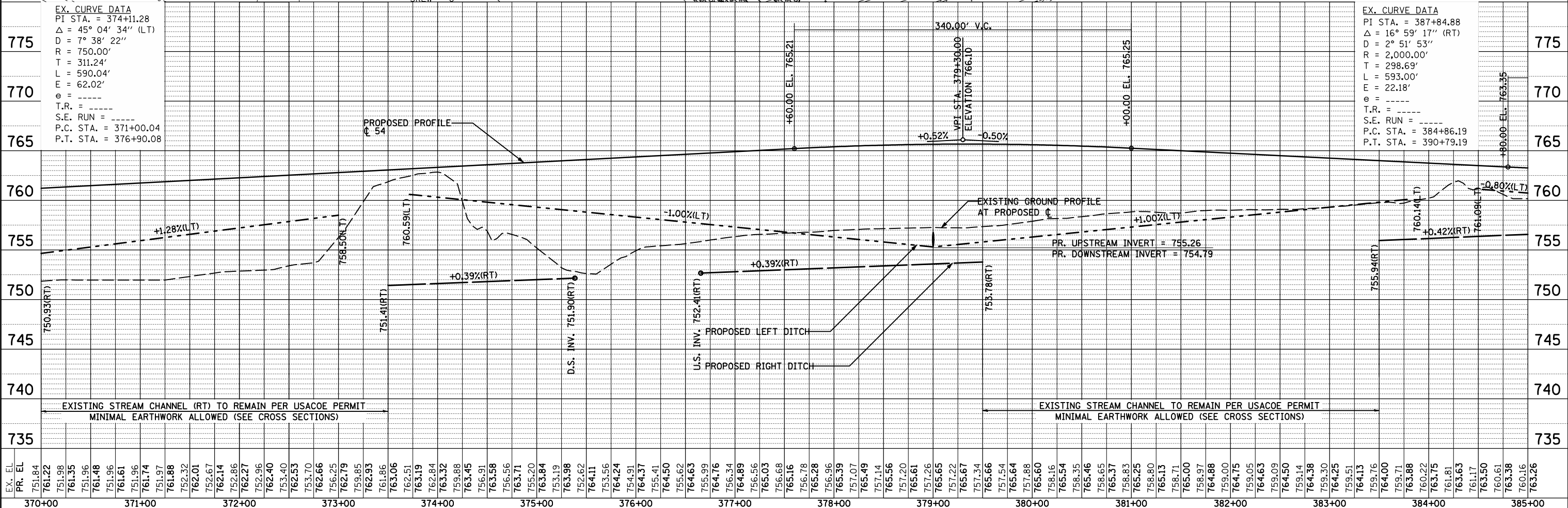
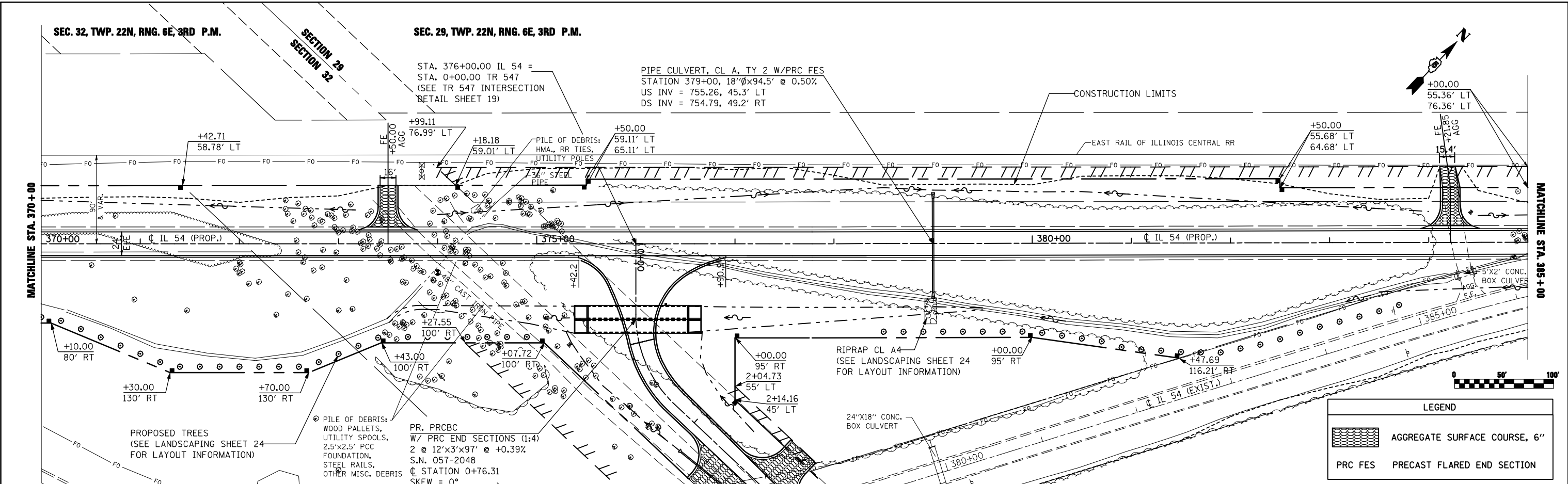
**STATE OF ILLINOIS
 DEPARTMENT OF TRANSPORTATION**

REMOVAL ITEMS			
SCALE:	SHEET NO.	OF SHEETS	STA. 381+00 TO STA. 395+00

F.A.P. RTE.	SECTION	COUNTY	TOTAL SHEETS	SHEET NO.
71	121R	MCLEAN	87	14
CONTRACT NO. 70592				
ILLINOIS FED. AID PROJECT				

PLAN	SURVEYED	BY	DATE
	PLOTTED		
	CHECKED		
	ALIGNED		
	FILE NAME		
	NO.		

PROFILE	SURVEYED	BY	DATE
	GRADES CHECKED		
	STRUCTURE		
	NOTATIS CHFD		
	NO.		



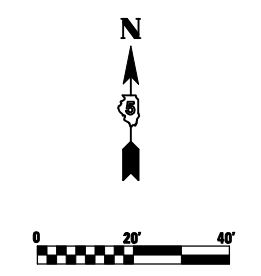
EX. CURVE DATA
 PI STA. = 374+11.28
 $\Delta = 45^\circ 04' 34''$ (LT)
 $D = 7^\circ 38' 22''$
 $R = 750.00'$
 $T = 311.24'$
 $L = 590.04'$
 $E = 62.02'$
 $\theta = \dots$
 $T.R. = \dots$
 $S.E. RUN = \dots$
 $P.C. STA. = 371+00.04$
 $P.T. STA. = 376+90.08$

EX. CURVE DATA
 PI STA. = 387+84.88
 $\Delta = 16^\circ 59' 17''$ (RT)
 $D = 2^\circ 51' 53''$
 $R = 2,000.00'$
 $T = 298.69'$
 $L = 593.00'$
 $E = 22.18'$
 $\theta = \dots$
 $T.R. = \dots$
 $S.E. RUN = \dots$
 $P.C. STA. = 384+86.19$
 $P.T. STA. = 390+79.19$

FILE NAME =	DESIGNED -	REVISED -	STATE OF ILLINOIS DEPARTMENT OF TRANSPORTATION	PROPOSED PLAN AND PROFILE IL 54	F.A.P. RTE.	SECTION	COUNTY	TOTAL SHEETS	SHEET NO.
USER NAME = keyarb	DRAWN -	REVISED -			71	121R	MCLEAN	87	16
ct:\pwwork\pwwork\keysarb\d0101441\0570592\sheet\p\pr\FIL54.dgn	CHECKED -	REVISED -			CONTRACT NO. 70592				
PLOT SCALE = 100.0000' / IN.	DATE -	REVISED -			ILLINOIS FED. AID PROJECT				
PLOT DATE = 10/16/2009			SCALE:	SHEET NO.	OF	SHEETS	STA. 370+00 TO STA. 385+00		

PROP. CURVE TR547-1
 PI STA. = 1+25.17
 $\Delta = 46^\circ 40' 44''$ (LT)
 $D = 45^\circ 50' 12''$
 $R = 125.00'$
 $T = 53.94'$
 $L = 101.84'$
 $E = 11.14'$
 $e = \text{-----}$
 $T.R. = \text{-----}$
 $S.E. \text{ RUN} = \text{-----}$
 $P.C. \text{ STA.} = 0+71.24$
 $P.T. \text{ STA.} = 1+73.08$

70' - 115'
 7' O.S.

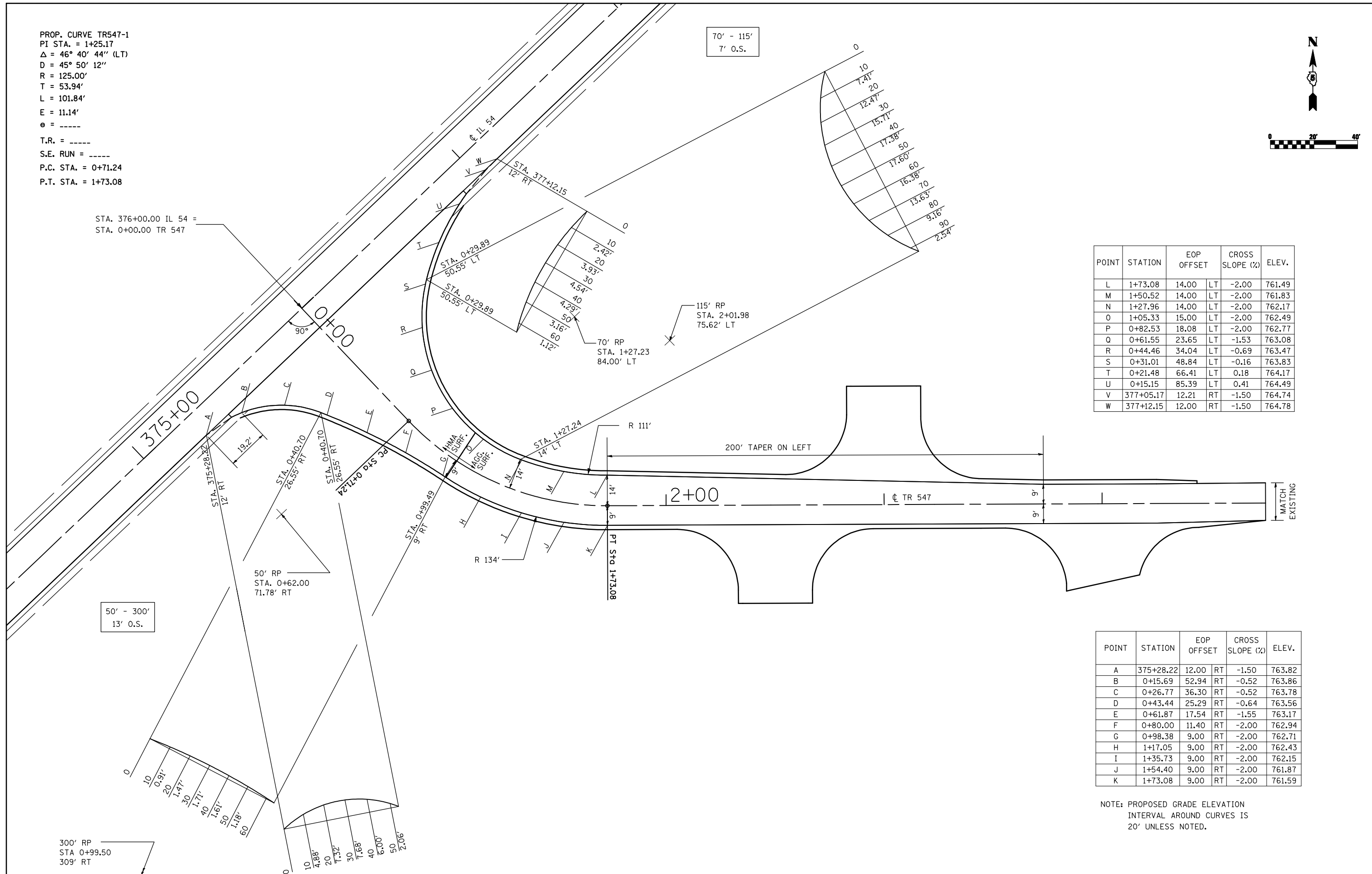


STA. 376+00.00 IL 54 =
 STA. 0+00.00 TR 547

POINT	STATION	EOP OFFSET	CROSS SLOPE (%)	ELEV.
L	1+73.08	14.00	LT -2.00	761.49
M	1+50.52	14.00	LT -2.00	761.83
N	1+27.96	14.00	LT -2.00	762.17
O	1+05.33	15.00	LT -2.00	762.49
P	0+82.53	18.08	LT -2.00	762.77
Q	0+61.55	23.65	LT -1.53	763.08
R	0+44.46	34.04	LT -0.69	763.47
S	0+31.01	48.84	LT -0.16	763.83
T	0+21.48	66.41	LT 0.18	764.17
U	0+15.15	85.39	LT 0.41	764.49
V	377+05.17	12.21	RT -1.50	764.74
W	377+12.15	12.00	RT -1.50	764.78

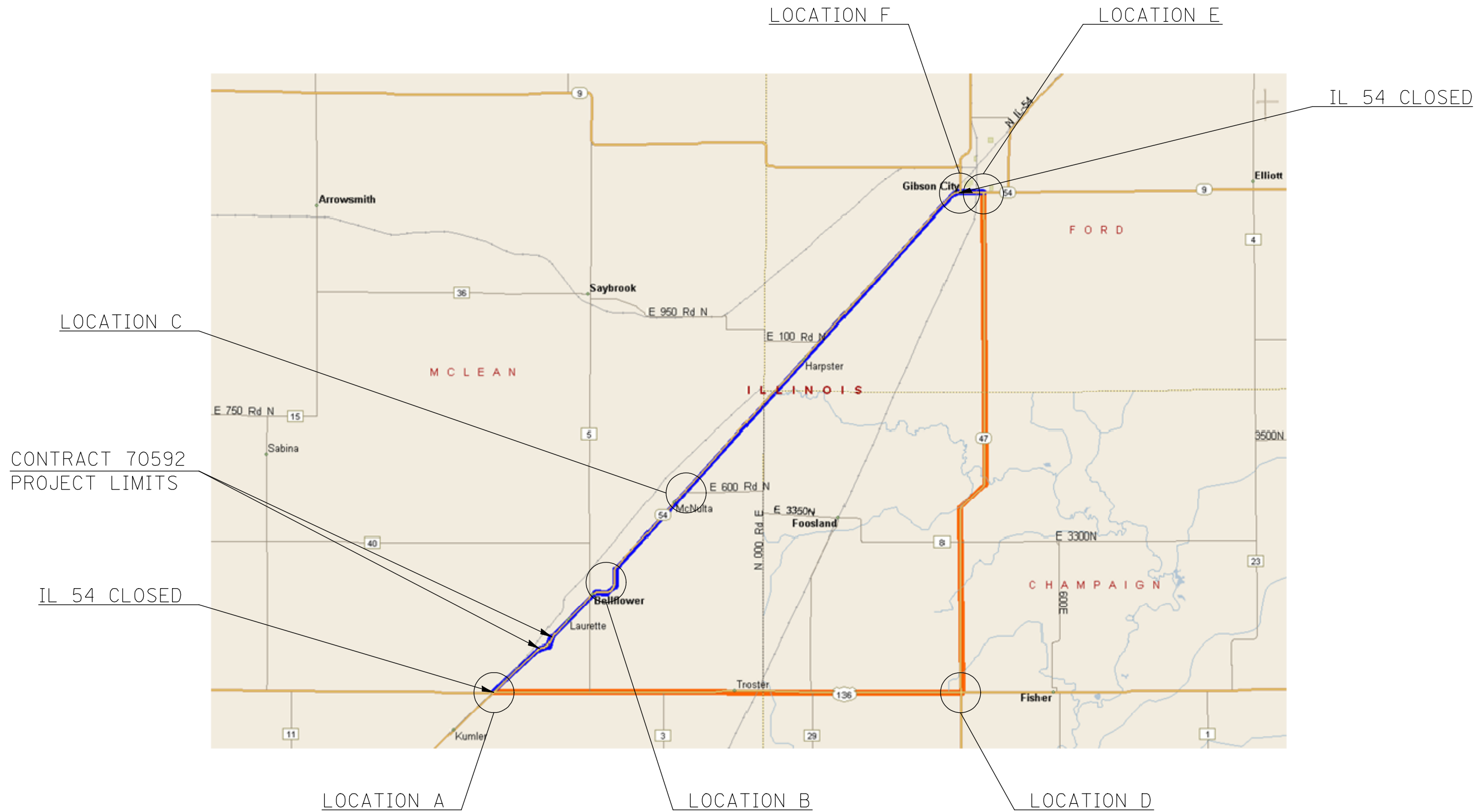
POINT	STATION	EOP OFFSET	CROSS SLOPE (%)	ELEV.
A	375+28.22	12.00	RT -1.50	763.82
B	0+15.69	52.94	RT -0.52	763.86
C	0+26.77	36.30	RT -0.52	763.78
D	0+43.44	25.29	RT -0.64	763.56
E	0+61.87	17.54	RT -1.55	763.17
F	0+80.00	11.40	RT -2.00	762.94
G	0+98.38	9.00	RT -2.00	762.71
H	1+17.05	9.00	RT -2.00	762.43
I	1+35.73	9.00	RT -2.00	762.15
J	1+54.40	9.00	RT -2.00	761.87
K	1+73.08	9.00	RT -2.00	761.59

NOTE: PROPOSED GRADE ELEVATION
 INTERVAL AROUND CURVES IS
 20' UNLESS NOTED.



50' - 300'
 13' O.S.

300' RP
 STA 0+99.50
 309' RT

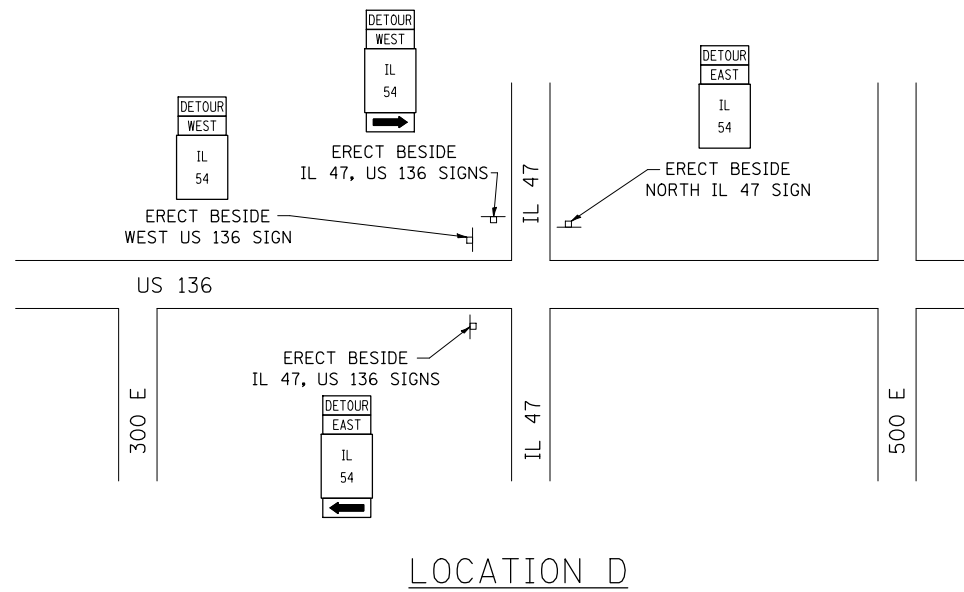
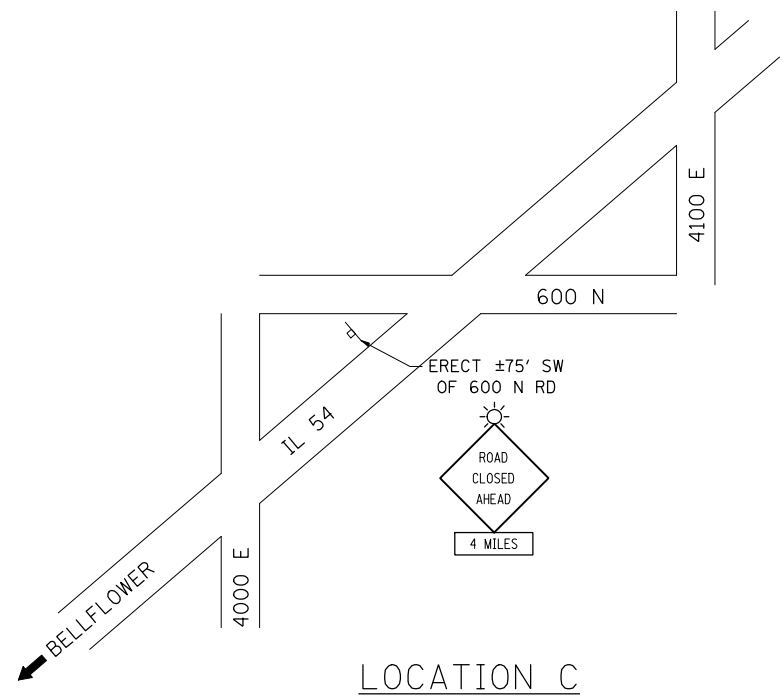
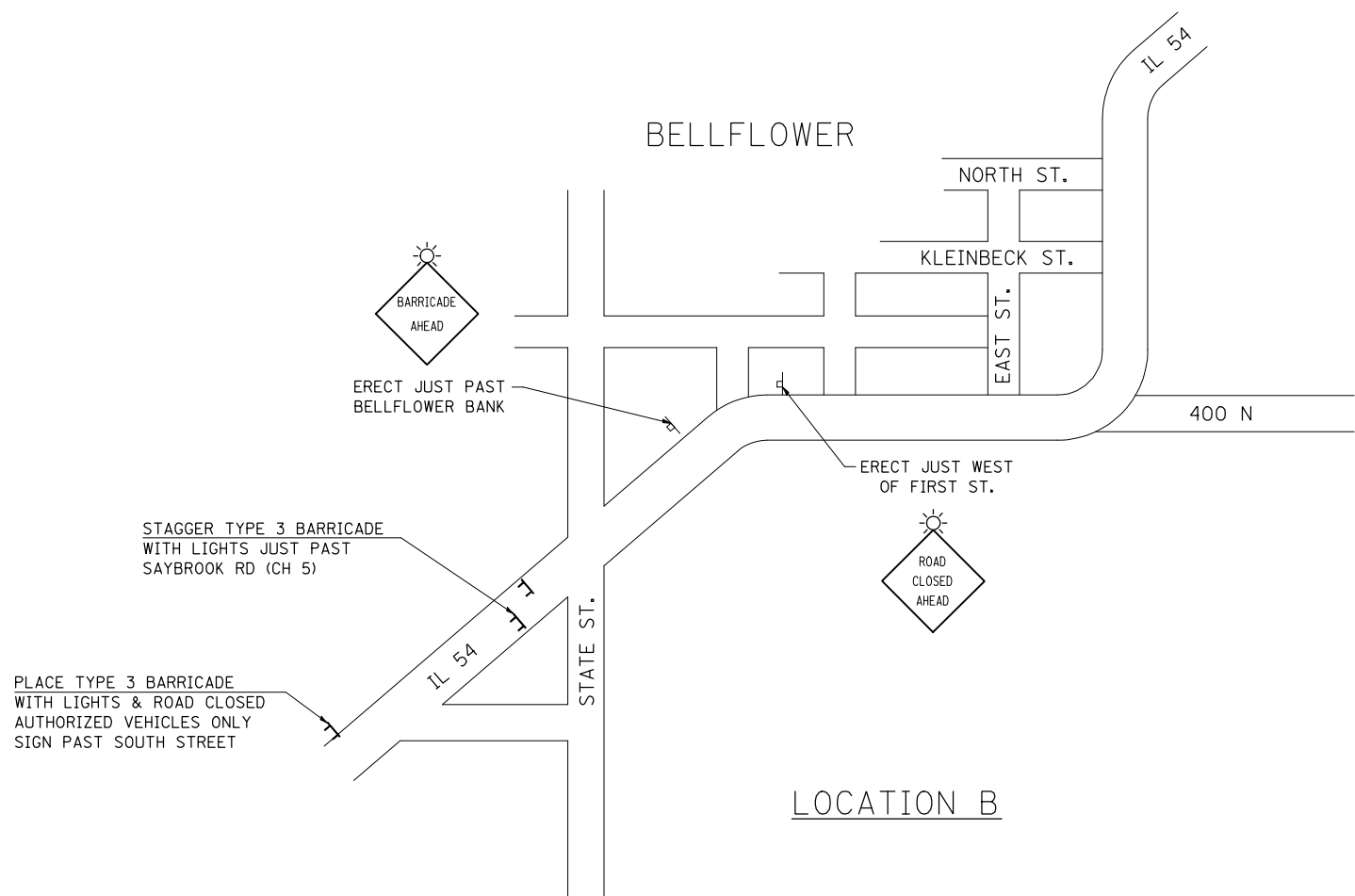
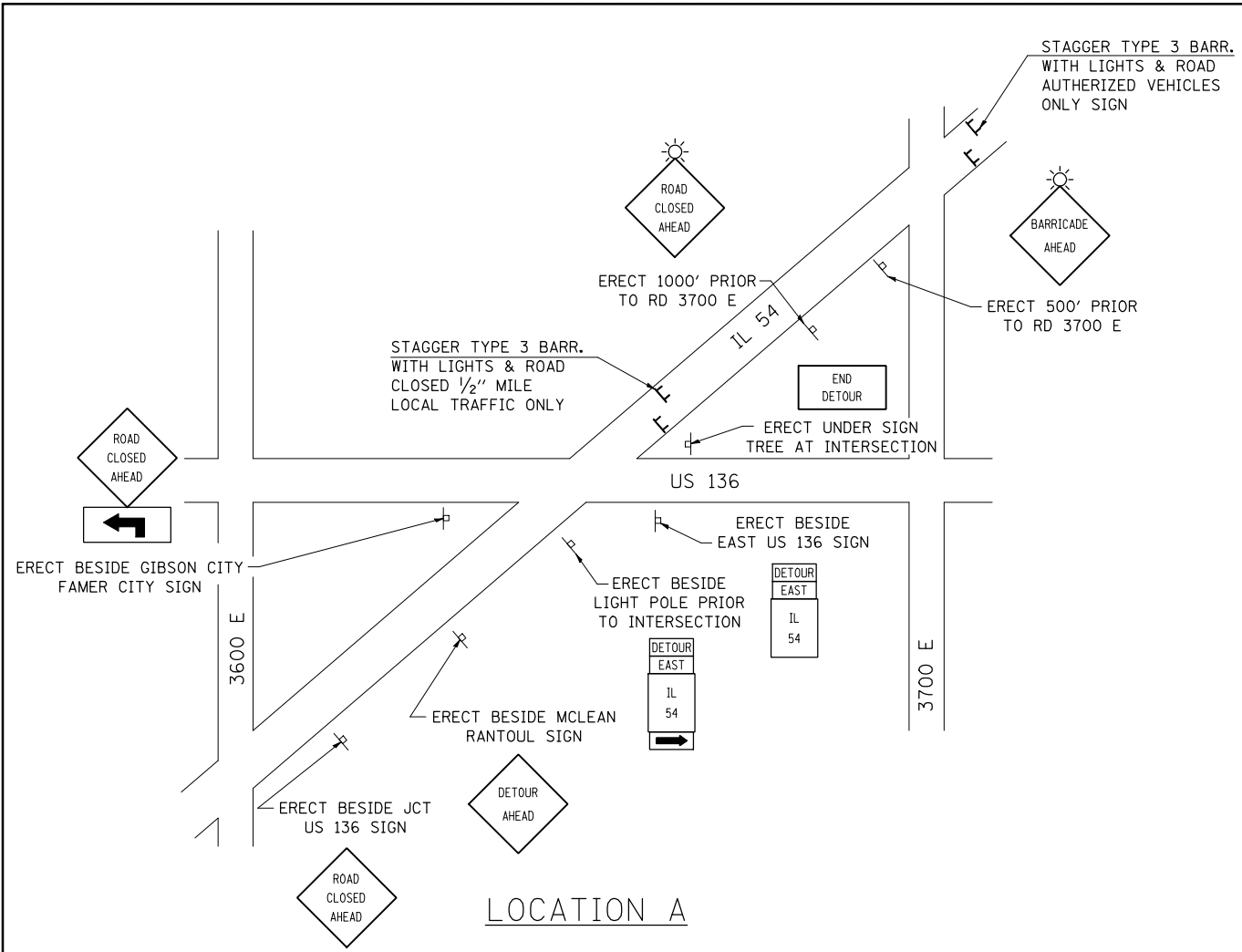


FILE NAME =	USER NAME = keysrb	DESIGNED -	REVISED -
ct:\pw\work\p\dot\keysrb\0101441\0570592-sht-detour_details.dgn		DRAWN -	REVISED -
	PLOT SCALE = 40.0000' / IN.	CHECKED -	REVISED -
	PLOT DATE = 10/16/2009	DATE -	REVISED -

**STATE OF ILLINOIS
DEPARTMENT OF TRANSPORTATION**

DETOUR SIGNING DETAIL				
SCALE:	SHEET NO.	OF SHEETS	STA.	TO STA.

F.A.P. RTE.	SECTION	COUNTY	TOTAL SHEETS	SHEET NO.
71	121R	MCLEAN	87	20
CONTRACT NO. 70592				
ILLINOIS FED. AID PROJECT				



FILE NAME =	USER NAME = keysrb	DESIGNED -	REVISED -
ct:\pw\work\p\dot\keysrb\0101441\0570592-sht-detour_details.dgn		DRAWN -	REVISED -
PLOT SCALE = 40.0000' / IN.		CHECKED -	REVISED -
PLOT DATE = 10/16/2009		DATE -	REVISED -

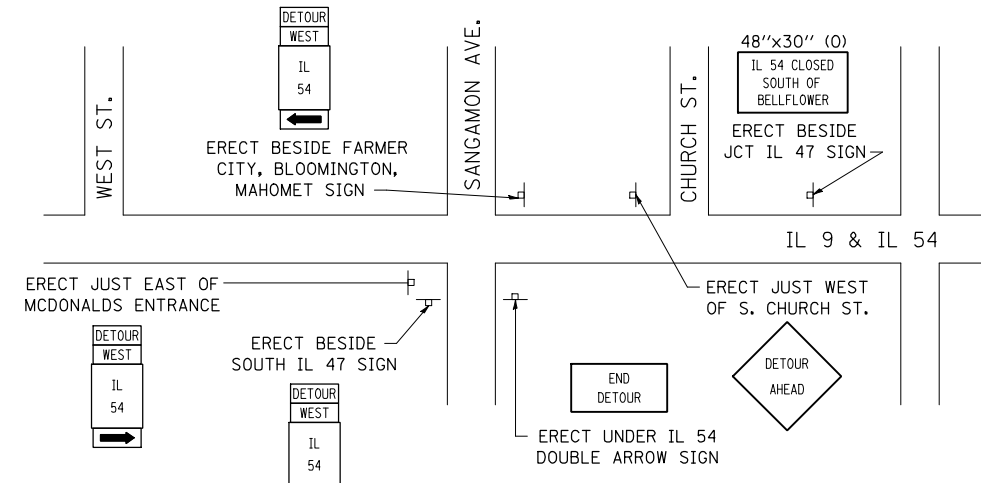
**STATE OF ILLINOIS
DEPARTMENT OF TRANSPORTATION**

DETOUR SIGNING DETAIL

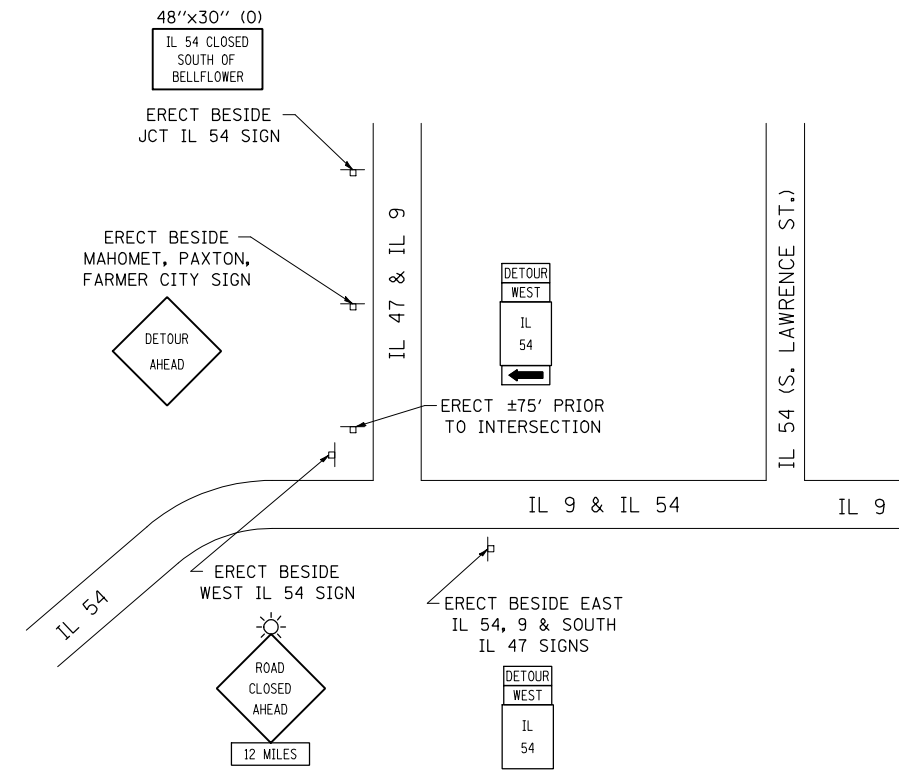
SCALE: SHEET NO. OF SHEETS STA. TO STA.

F.A.P. RTE.	SECTION	COUNTY	TOTAL SHEETS	SHEET NO.
71	121R	MCLEAN	87	21
CONTRACT NO. 70592				
ILLINOIS FED. AID PROJECT				

GIBSON CITY



LOCATION E



LOCATION F

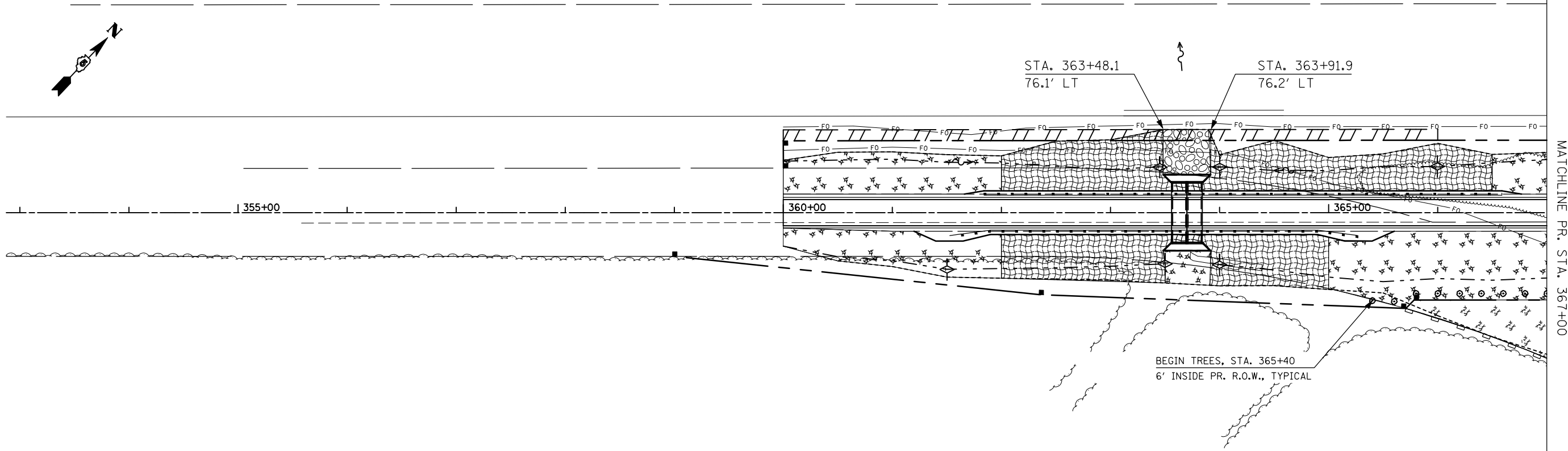
FILE NAME =	USER NAME = keysrb	DESIGNED -	REVISED -
ct:\pw\work\p\dot\keysrb\0101441\0570592-sht-detour_details.dgn		DRAWN -	REVISED -
PLOT SCALE = 40.0000' / IN.		CHECKED -	REVISED -
PLOT DATE = 10/16/2009		DATE -	REVISED -

STATE OF ILLINOIS
DEPARTMENT OF TRANSPORTATION

DETOUR SIGNING DETAIL

SCALE: SHEET NO. OF SHEETS STA. TO STA.

F.A.P. RTE.	SECTION	COUNTY	TOTAL SHEETS	SHEET NO.
71	121R	MCLEAN	87	22
CONTRACT NO. 70592				
ILLINOIS FED. AID PROJECT				



MATCHLINE PR. STA. 367+00

NOTES:

1. CLASS 7 SEEDING SHALL BE USED TO TEMPORARILY SEED AREAS DESIGNATED TO BE SEEDED PERMANENTLY WITH CLASS 2 AND CLASS 4 SEED
2. SEEDING CLASS 2 AREAS SHALL BE FERTILIZED. SEEDING CLASS 4 AREAS WILL NOT BE FERTILIZED PER ARTICLE 250.07 OF THE STANDARD SPECIFICATIONS.
3. SEE ARTICLE 250.07 OF THE STANDARD SPECIFICATIONS FOR PLANTING TIMES.

LEGEND	
	SEEDING, CLASS 2, EROSION CONTROL BLANKET
	SEEDING, CLASS 2, MULCH METHOD 2
	SEEDING, CLASS 4, MULCH METHOD 2
	RIPRAP, CLASS A4
	2" BALLED AND BURLAPPED TREE ON 20' CENTERS
	TEMPORARY DITCH CHECK
	PERIMETER EROSION BARRIER
	INLET AND PIPE PROTECTION

FILE NAME =	USER NAME = keysrb	DESIGNED -	REVISED -
ct:\pw\work\p\dot\keysrb\0101441\0570592-sht-erosion.dgn		DRAWN -	REVISED -
	PLOT SCALE = 100.0000' / IN.	CHECKED -	REVISED -
	PLOT DATE = 10/16/2009	DATE -	REVISED -

**STATE OF ILLINOIS
DEPARTMENT OF TRANSPORTATION**

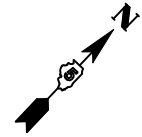
EROSION, SEDIMENT CONTROL AND LANDSCAPING ITEMS			
SCALE:	SHEET NO.	OF SHEETS	STA. 360+00 TO STA. 367+00

F.A.P. RTE.	SECTION	COUNTY	TOTAL SHEETS	SHEET NO.
71	121R	MCLEAN	87	23
CONTRACT NO. 70592				
ILLINOIS FED. AID PROJECT				

SEC. 32, TWP. 22 N, RNG. 6E, 3RD P.M.

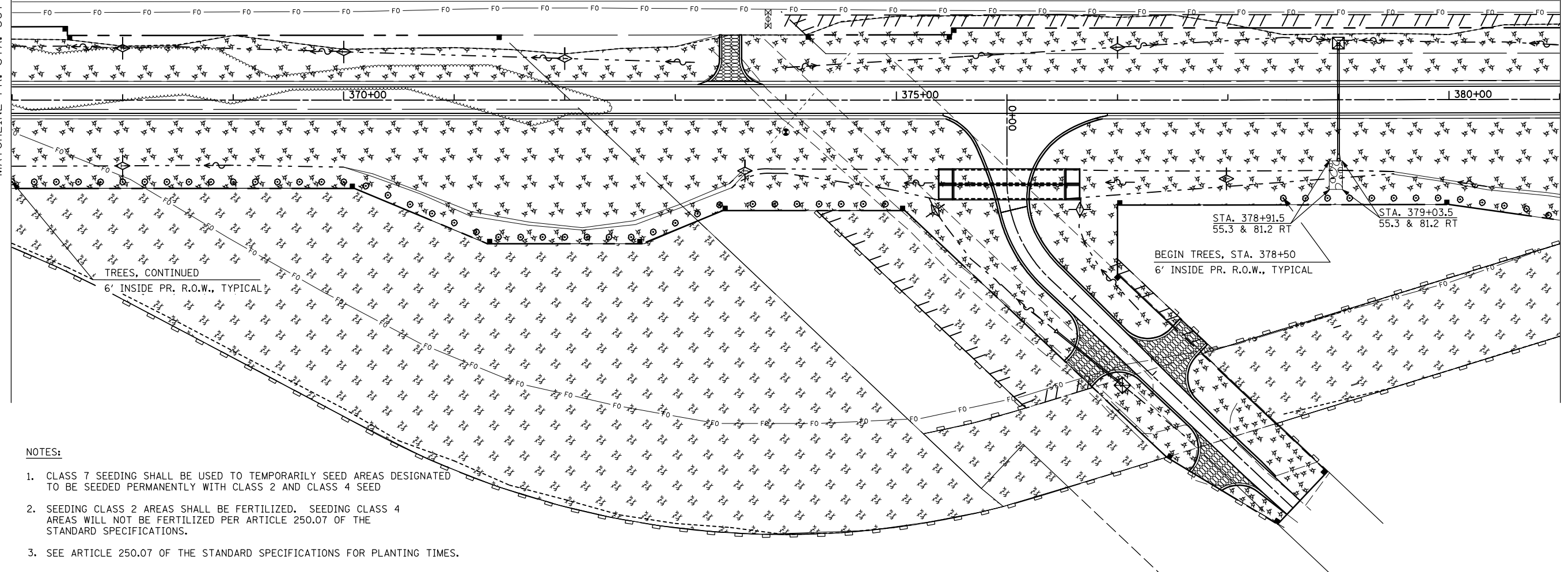
SEC. 29, TWP. 22 N, RNG. 6E, 3RD P.M.

SECTION 29
SECTION 32



MATCHLINE PR. STA. 367+00

MATCHLINE PR. STA. 381+00



NOTES:

1. CLASS 7 SEEDING SHALL BE USED TO TEMPORARILY SEED AREAS DESIGNATED TO BE SEEDED PERMANENTLY WITH CLASS 2 AND CLASS 4 SEED
2. SEEDING CLASS 2 AREAS SHALL BE FERTILIZED. SEEDING CLASS 4 AREAS WILL NOT BE FERTILIZED PER ARTICLE 250.07 OF THE STANDARD SPECIFICATIONS.
3. SEE ARTICLE 250.07 OF THE STANDARD SPECIFICATIONS FOR PLANTING TIMES.

LEGEND	
	SEEDING, CLASS 2, EROSION CONTROL BLANKET
	SEEDING, CLASS 2, MULCH METHOD 2
	SEEDING, CLASS 4, MULCH METHOD 2
	RIPRAP, CLASS A4
	2" BALLED AND BURLAPPED TREE ON 20' CENTERS
	TEMPORARY DITCH CHECK
	PERIMETER EROSION BARRIER
	INLET AND PIPE PROTECTION

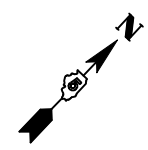
FILE NAME =	USER NAME = keysrb	DESIGNED -	REVISED -
ct:\pw\work\p\dot\keysrb\101441\0570592-sht-erosion.dgn		DRAWN -	REVISED -
	PLOT SCALE = 100.0000' / IN.	CHECKED -	REVISED -
	PLOT DATE = 10/16/2009	DATE -	REVISED -

**STATE OF ILLINOIS
DEPARTMENT OF TRANSPORTATION**

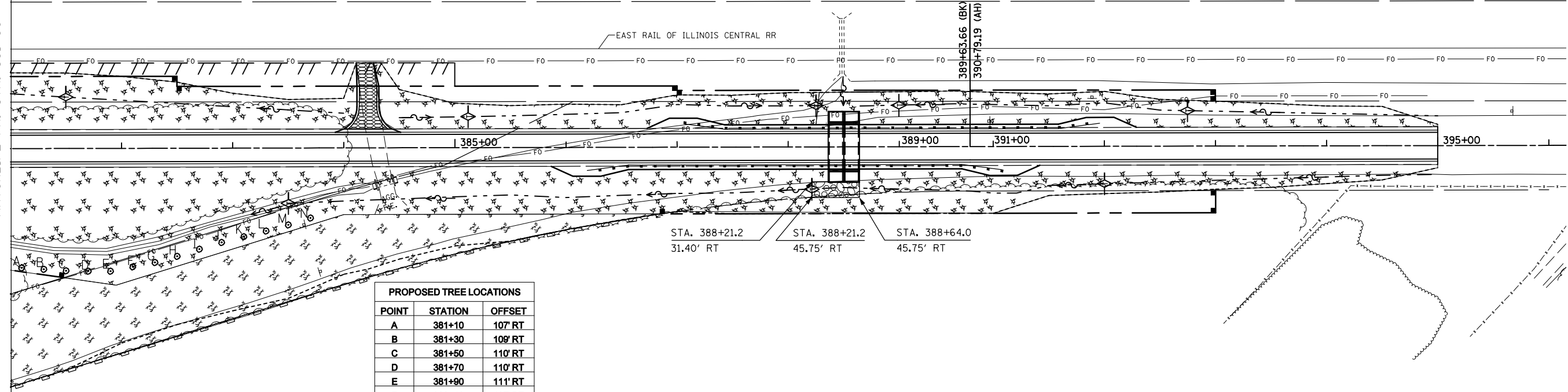
**EROSION, SEDIMENT CONTROL AND
LANDSCAPING ITEMS**

SCALE: SHEET NO. OF SHEETS STA. 367+00 TO STA. 381+00

F.A.P. RTE.	SECTION	COUNTY	TOTAL SHEETS	SHEET NO.
70	121R	MCLEAN	87	24
CONTRACT NO. 70592				
ILLINOIS FED. AID PROJECT				



MATCHLINE PR. STA. 381+00



PROPOSED TREE LOCATIONS		
POINT	STATION	OFFSET
A	381+10	107' RT
B	381+30	109' RT
C	381+50	110' RT
D	381+70	110' RT
E	381+90	111' RT
F	382+10	107' RT
G	382+30	103' RT
H	382+50	97' RT
I	382+70	91' RT
J	382+90	85' RT
K	383+10	80' RT
L	383+30	75' RT
M	383+50	69' RT
N	383+70	63' RT

NOTES:

1. CLASS 7 SEEDING SHALL BE USED TO TEMPORARILY SEED AREAS DESIGNATED TO BE SEEDED PERMANENTLY WITH CLASS 2 AND CLASS 4 SEED
2. SEEDING CLASS 2 AREAS SHALL BE FERTILIZED. SEEDING CLASS 4 AREAS WILL NOT BE FERTILIZED PER ARTICLE 250.07 OF THE STANDARD SPECIFICATIONS.
3. SEE ARTICLE 250.07 OF THE STANDARD SPECIFICATIONS FOR PLANTING TIMES.

LEGEND	
	SEEDING, CLASS 2, EROSION CONTROL BLANKET
	SEEDING, CLASS 2, MULCH METHOD 2
	SEEDING, CLASS 4, MULCH METHOD 2
	RIPRAP, CLASS A4
	2" BALLED AND BURLAPPED TREE ON 20' CENTERS
	TEMPORARY DITCH CHECK
	PERIMETER EROSION BARRIER
	INLET AND PIPE PROTECTION

FILE NAME =	USER NAME = keysrb	DESIGNED -	REVISED -
ct:\pw\work\p\dot\keysrb\10101441\0570592-sht-erosion.dgn		DRAWN -	REVISED -
	PLOT SCALE = 100.0000' / IN.	CHECKED -	REVISED -
	PLOT DATE = 10/16/2009	DATE -	REVISED -

**STATE OF ILLINOIS
DEPARTMENT OF TRANSPORTATION**

**EROSION, SEDIMENT CONTROL AND
LANDSCAPING ITEMS**

SCALE: SHEET NO. OF SHEETS STA. 381+00 TO STA. 395+00

F.A.P. RTE.	SECTION	COUNTY	TOTAL SHEETS	SHEET NO.
71	121R	MCLEAN	87	25
CONTRACT NO. 70592				
ILLINOIS FED. AID PROJECT				

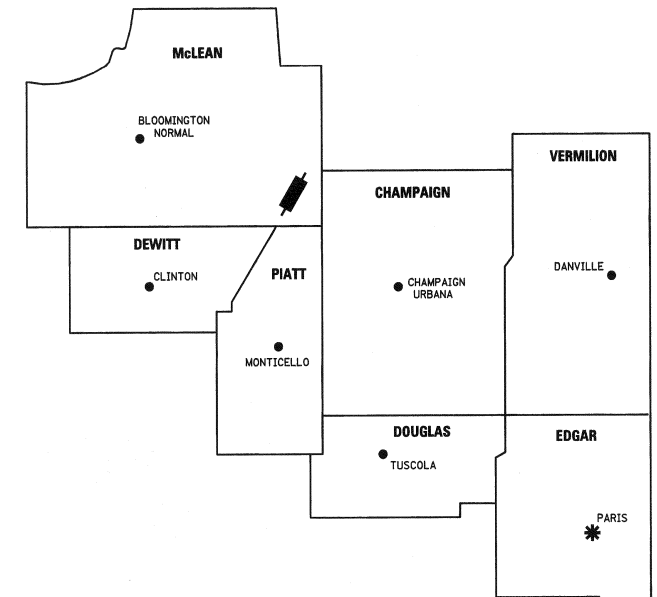
**STATE OF ILLINOIS
DEPARTMENT OF TRANSPORTATION
DIVISION OF HIGHWAYS
RIGHT OF WAY PLANS
FOR PROPOSED
FEDERAL AID HIGHWAY**

**FAP ROUTE 71 (IL. 54)
SECTION 121R
JOB R-95-050-07
McLEAN COUNTY**

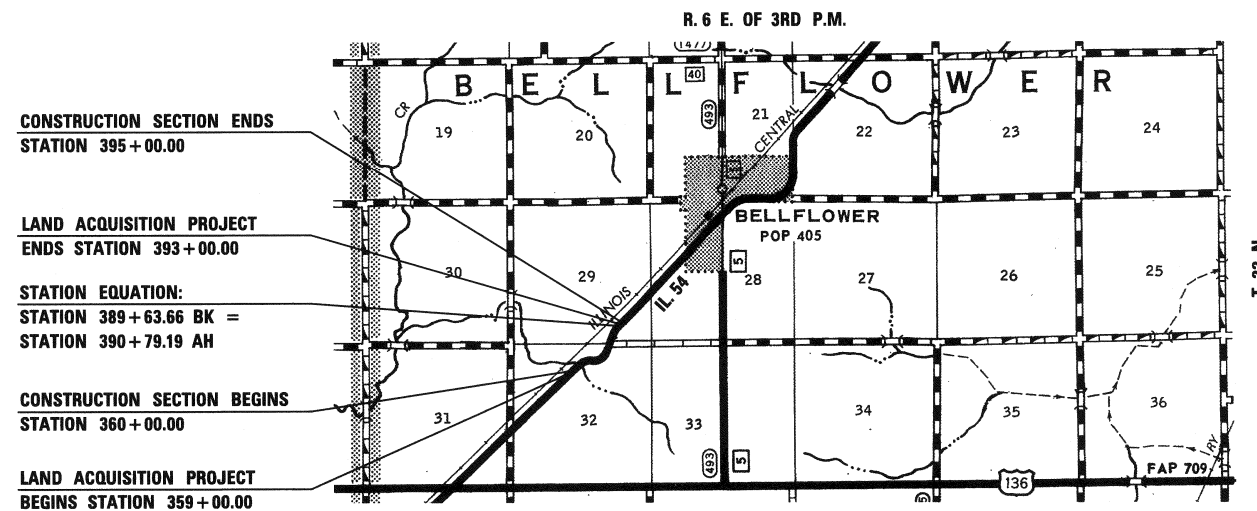
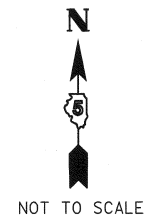
ROUTE	SECTION	COUNTY	TOTAL SHEETS	SHEET NO.
FAP 71 (IL. 54)	121R	McLEAN	2	1
F.H.W.A. REG.		ILLINOIS PROJECT		

CONTRACT NO. 70592

REGION 3 / DISTRICT 5



* DISTRICT HEADQUARTERS
— PROJECT LOCATION



CONSTRUCTION SECTION ENDS
STATION 395+00.00

LAND ACQUISITION PROJECT
ENDS STATION 393+00.00

STATION EQUATION:
STATION 389+63.66 BK =
STATION 390+79.19 AH

CONSTRUCTION SECTION BEGINS
STATION 360+00.00

LAND ACQUISITION PROJECT
BEGINS STATION 359+00.00

LENGTH OF LAND ACQUISITION PROJECT = 3284 LIN. FT. = 0.622 MILE



THIS IS TO CERTIFY THAT THIS IS A TRUE AND CORRECT SET OF RIGHT OF WAY PLANS MADE UNDER MY DIRECTION FOR THE DIVISION OF HIGHWAYS, STATE OF ILLINOIS.

Kenneth W. Hackney 01/11/10
ILLINOIS PROFESSIONAL LAND SURVEYOR NO. 3135 DATE
LICENSE EXPIRES 11/30/10

**STATE OF ILLINOIS
DEPARTMENT OF TRANSPORTATION
DIVISION OF HIGHWAYS**

SUBMITTED JANUARY 11 2010
Joseph E. Crowe, P.E.
JOSEPH E. CROWE, P.E.
DEPUTY DIRECTOR OF HIGHWAYS
REGION 3 ENGINEER

EXAMINED JANUARY 11 2010
Kenneth W. Hackney
KENNETH W. HACKNEY
DISTRICT CHIEF OF PLATS & PLANS

PASSED JANUARY 11 2010
David L. Bayler
DAVID L. BAYLER
DISTRICT LAND ACQUISITION ENGINEER

- NOTES**
- BEARINGS BASED ON ILLINOIS STATE PLANE COORDINATES, EAST ZONE NAD 83.
 - IRON PIN W/ IDOH CAP SET
 - FENCE POST FOUND
 - () RECORD DATA
 - FIELD WORK COMPLETED = JANUARY 2009

LAND ACQUISITION PROJECT BEGINS
STATION 359+00.00

ICRR REFERENCE DEEDS:
DEED BOOK 102 PAGE 263
DEED BOOK 104 PAGE 133
DEED BOOK 125 PAGE 362
DEED BOOK 231 PAGE 11
DEED BOOK 231 PAGE 12
DEED BOOK 391 PAGE 27
DEED BOOK 392 PAGE 385

CONSTRUCTION SECTION BEGINS
STATION 360+00.00

5507001

ILLINOIS CENTRAL RAILROAD COMPANY
DOC. NO. 2010-09993 QUIT CLAIM DEED (CORPORATION)

- TOTAL ROW AREA REQUIRED = 2.072 AC.±
- TOTAL TEMPORARY EASEMENT AREA REQUIRED = 0.510 AC.±
- ESTIMATED REMAINING AREA = NON APPLICABLE

TRACT 1

- ROW AREA REQUIRED = 1.399 AC.±
- TEMPORARY EASEMENT AREA REQUIRED = 0.138 AC.±
(PURPOSE OF TEMPORARY EASEMENT = GRADING AND SHAPING)

TRACT 2

- ROW AREA REQUIRED = 0.673 AC.±
- TEMPORARY EASEMENT AREA REQUIRED = 0.372 AC.±
(PURPOSE OF TEMPORARY EASEMENT = GRADING AND SHAPING)

5507002

MADelyn MORRIS
DOC. NO. 2009-30162 WARRANTY DEED

- TOTAL ROW AREA REQUIRED = 1.002 AC.±
- AREA IN EXISTING DEDICATED ROW = 0.670 AC.±
- NET ROW AREA REQUIRED = 0.332 AC.±
- ESTIMATED REMAINING AREA = 305.088 AC.±

5507003

MARILYN H. SCHMIDT, AS TRUSTEE OF THE MARILYN H. SCHMIDT REVOCABLE TRUST DATED MAY 28, 1981 AS TO AN UNDIVIDED 198200ths INTEREST; PAUL SCHMIDT AS TO AN UNDIVIDED 1200th INTEREST AND JOHN SCHMIDT AS TO AN UNDIVIDED 1200th INTEREST

DOC. NO. 2009-38445 WARRANTY DEED
DOC. NO. 2009-38446 TRUSTEE'S DEED
DOC. NO. 2009-38447 WARRANTY DEED

- TOTAL ROW AREA REQUIRED = 7.825 AC.±
- AREA IN EXISTING DEDICATED ROW = 3.152 AC.±
- NET ROW AREA REQUIRED = 4.673 AC.±
- TOTAL TEMPORARY EASEMENT AREA REQUIRED = 0.338 AC.±
- ESTIMATED REMAINING AREA = 301.505 AC.±

TRACT 1

- TEMPORARY EASEMENT AREA REQUIRED = 0.312 AC.±
(PURPOSE OF TEMPORARY EASEMENT = GRADING AND SHAPING)

TRACT 2

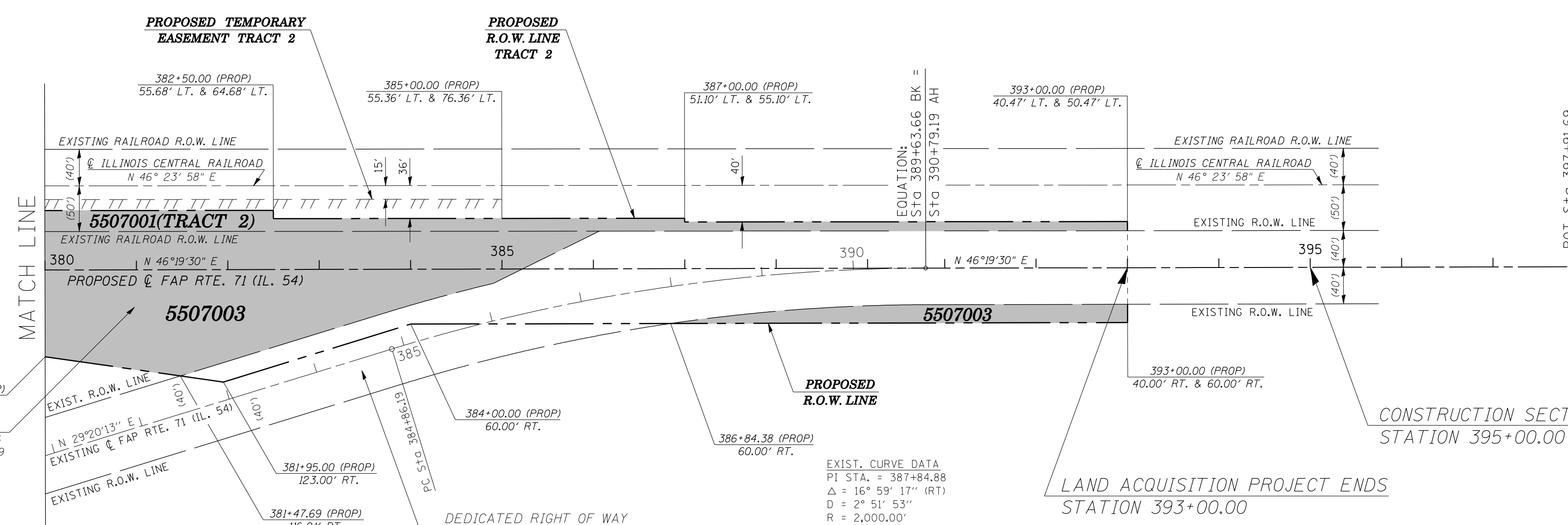
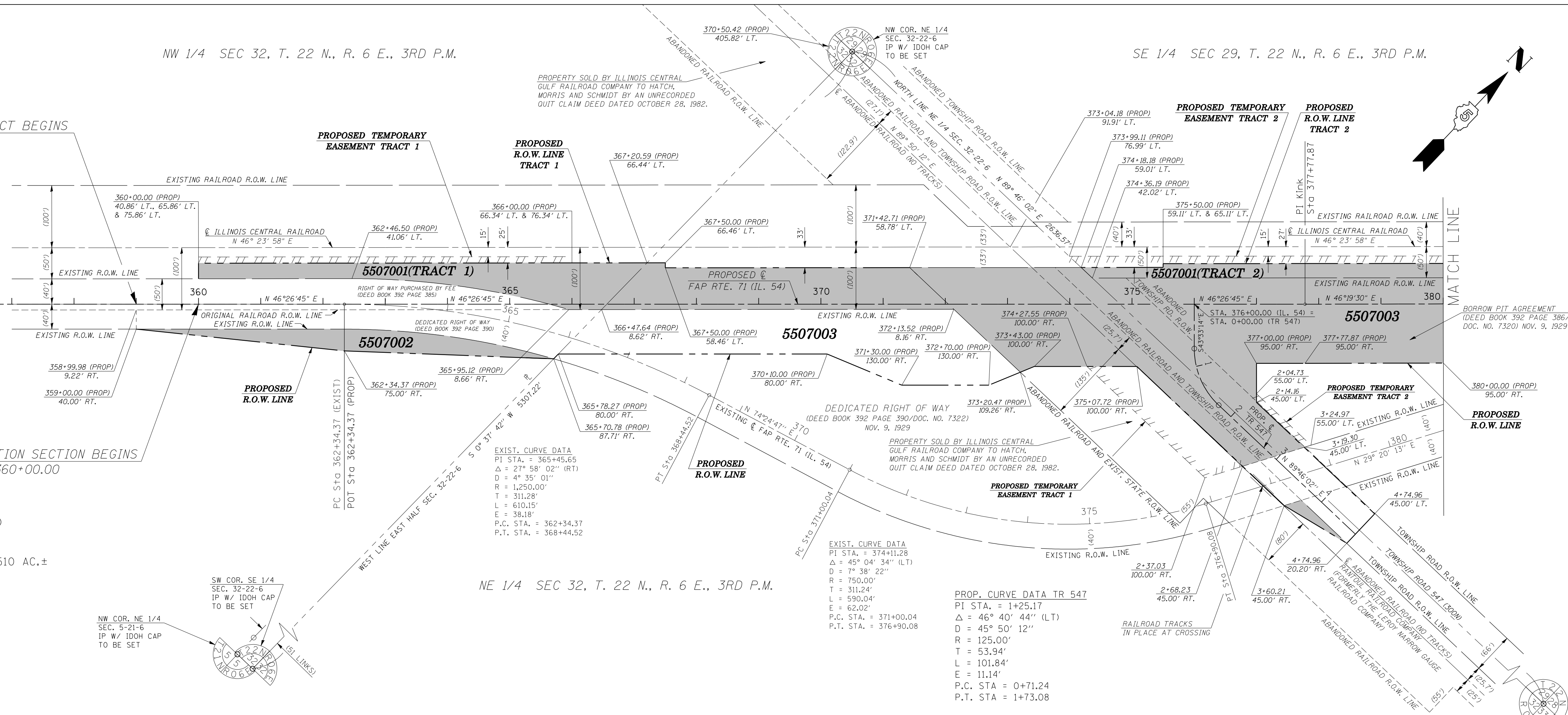
- TEMPORARY EASEMENT AREA REQUIRED = 0.026 AC.±
(PURPOSE OF TEMPORARY EASEMENT = GRADING AND SHAPING)

NW 1/4 SEC 32, T. 22 N., R. 6 E., 3RD P.M.

SE 1/4 SEC 29, T. 22 N., R. 6 E., 3RD P.M.

BY	DATE

R.O.W. PLAT NO.	NOTEBOOK NO.



SE 1/4 SEC 29, T. 22 N., R. 6 E., 3RD P.M.

CONTRACT NO. 70592

REVISION	DATE	DESCRIPTION

ILLINOIS DEPT. OF TRANSPORTATION
RIGHT OF WAY PLAN
ROUTE FAP 71 (IL. 54)
SECTION 121R
COUNTY MCLEAN
JOB# R-95-050-07
SEC 29 & 32, T. 22 N., R. 6 E. OF 3RD P.M.
STA 359+00.00 TO STA 393+00.00
DRAWN M.L.W. CHECKED K.W.H.
SCALE: 1"= 100' SHEET NO. 2 OF 2

EXISTING STRUCTURE: S.N. 057-8001 was constructed in 1930 at STA. 363+70 as a 12'x4'x50' cast-in-place box culvert with concrete headwalls as S.B.I. 48, Sec. 121 in McLean County. The existing structure is to be completely removed and replaced. Road closure will be utilized.

BENCHMARK ELEV. = 754.03 Chiseled square on south corner of east headwall of str. 057-8001 at approx. STA. 363+50, 25' RT.

General Notes

Build tops of headwalls parallel to the grade lines.

All construction joints shall be bonded according to Article 503.09 of the Standard Specifications.

Reinforcement bars shall conform to the requirements of ASTM A706 Gr. (IL Modified). See Special Provisions.

The 6" Porous Granular Material required per Art. 540.06 of the Standard Specifications shall also extend beneath the Box Culvert End Sections and shall be considered included in the cost of Precast Concrete Box Culverts and Box Culvert End Sections.

When lapping sheets of welded wire fabric, the overlap measured between the outermost cross wires of each fabric sheet shall not be less than 8"

End Sections will be paid for at the contract unit price per each for BOX CULVERT END SECTIONS, as outlined in Section 540 of the Standard Specifications.

Class SI Concrete shall be used throughout.

Concrete, Rebar, and Welded Wire Fabric quantities and lengths calculated for the cast-in-place End Sections may vary based on the precast box culverts supplied.

Drain holes shall be provided in accordance with Article 503.11 of the Standard Specifications.

The box culvert end section shall be built in the field and a precast option is not allowed except the cut-off wall may be precast. If the contractor elects to use a precast cut-off wall, shop drawings and a proposed construction sequence shall be submitted to the Engineer for approval.

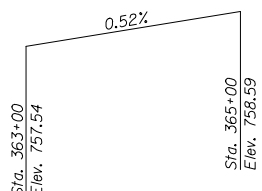
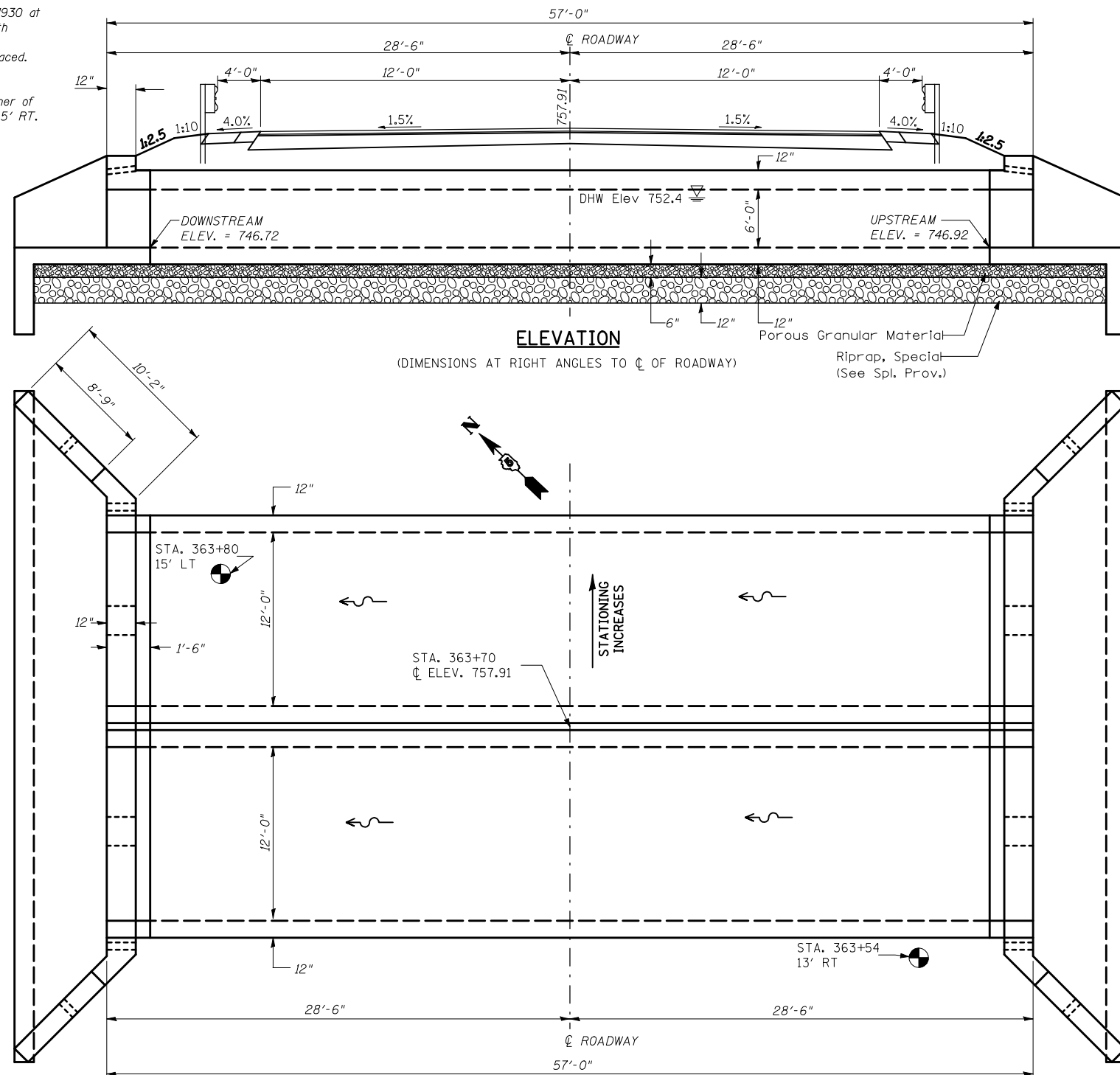
The ends of the precast box sections adjacent to the end section shall be formed without the male and female shapes specified in Article 8.1 of AASHTO M259. See Sections B-B, D-D, E-E, and F-F on Sheet 2.

The design fill height for this box is greater than 2 feet. The Precast Concrete Box Culvert Sections shall conform to the requirements of AASHTO M 259.

The joints between precast box sections shall be sealed, all voids filled with a mastic joint sealer. In addition, the joints shall be externally sealed on all four sides with a 13 inch wide external sealing band. The seal shall be centered over the joint, secured in place and protected during the backfilling process.

All dimensions are in FEET (') - INCHES (") unless otherwise noted.

Drawings not to scale.



Profile Grade
Along ϕ Roadway

STATION 363+70
BUILT 2011 BY
STATE OF ILLINOIS
F.A.P. RT. 71 SEC. 121R
LOADING HS 20
STRUCTURE NO. 057-2047

NAME PLATE
See Std. 515001

INDEX OF SHEETS

1. General Plan and Elevation
2. Box Culvert End Section Details
3. Soil Borings
4. As-Built Plan

DESIGN SPECIFICATIONS

2002 AASHTO

LOADING HS20-44

Allow 50#/sq.ft. for future wearing surface

DESIGN STRESSES

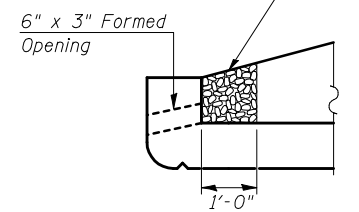
FIELD UNITS

- $f'_c = 3,500$ psi
- $f_y = 60,000$ psi (reinforcement)
- $f_y = 65,000$ psi (welded wire fabric)

PRECAST UNITS

- $f'_c = 5,000$ psi
- $f_y = 65,000$ psi (welded wire fabric)

Coarse aggregate full length of both headwalls. To be placed by Grading Contractor. Cost included with Box Culvert End Sections.



DRAIN DETAIL

WATERWAY INFORMATION TABLE

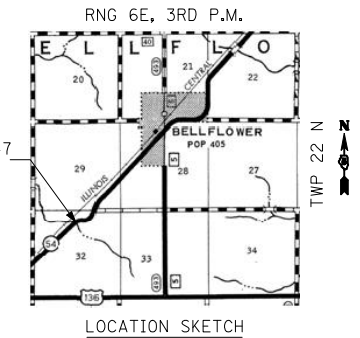
Route:	FAP 71 (IL-64)	Existing S.N.:	057-8001
Section:	121R	Proposed S.N.:	057-2047
County:	McLean	Waterway:	Unnamed Tributary of Salt Creek
Date:	4/30/2009	By:	GMS

Existing Low Grade Elev. = 767.04 ft. @ Sta. 361+00		Proposed Low Grade Elev. = 767.04 ft. @ Sta. 361+00					
Drainage Area = 0.97 (Exist.) 1.4 (Prop.) mi. ²							
Flood	Freq. Yr.	Q (Exist.) C.F.S.	Q (Prop.) C.F.S.	Opening Sq. Ft.	Natural H.W.E.	Head - Ft. Existing	Headwater Elevation Existing
	10	343	455	48	105	762.6	751.3
Design	50	672	758	48	131	766.3	752.4
Base	100	676	896	48	143	Over	752.9
Overtopping							
Max. Calc.	500	933	1235	48	144	Over	754.2

10 YEAR VELOCITY THROUGH EXISTING BRIDGE = 11.4 ft/s
 10 YEAR VELOCITY THROUGH PROPOSED BRIDGE = 4.6 ft/s
 ALL-TIME H.W.E. & DATE: ~ 757.4 ft. - High Water Report dated 06/20/1990 states that flood water observed 4" deep over pavement. All-time H.W.E. is estimated at 0.33 ft. higher than existing low-grade elevation.

Design Scour Elevation Table

Design Scour Elevation (ft.)	Upstream	Downstream
	743.92	743.72

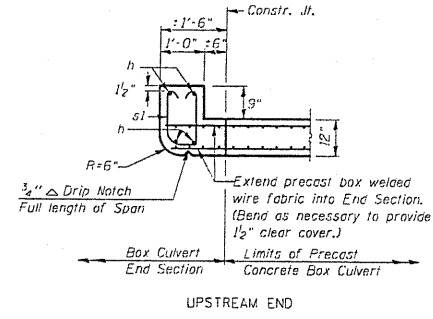
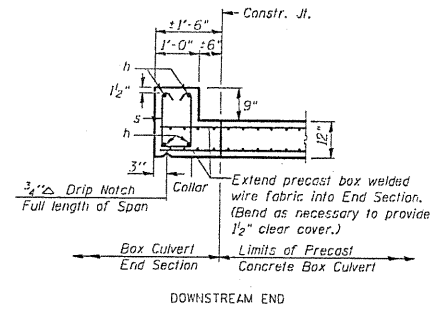
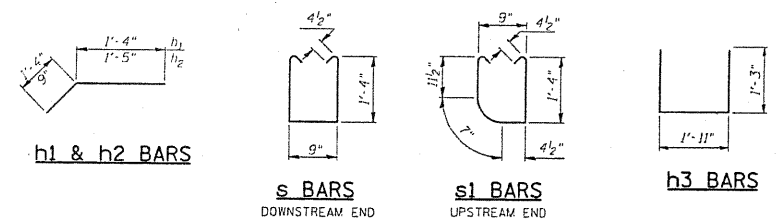
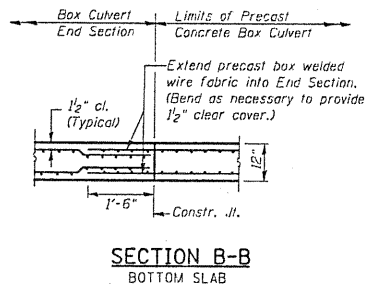
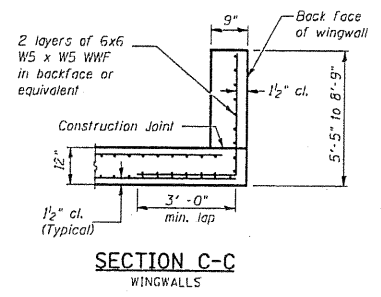
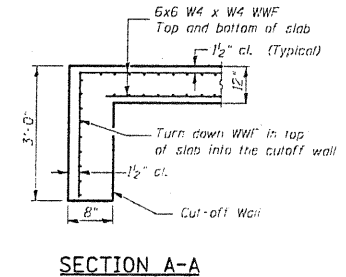
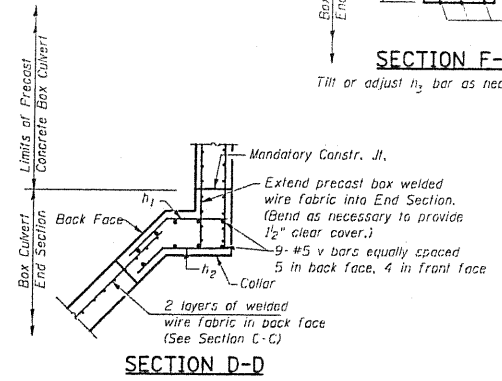
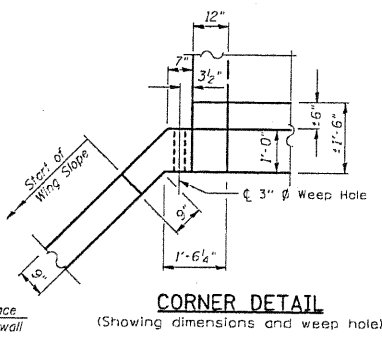
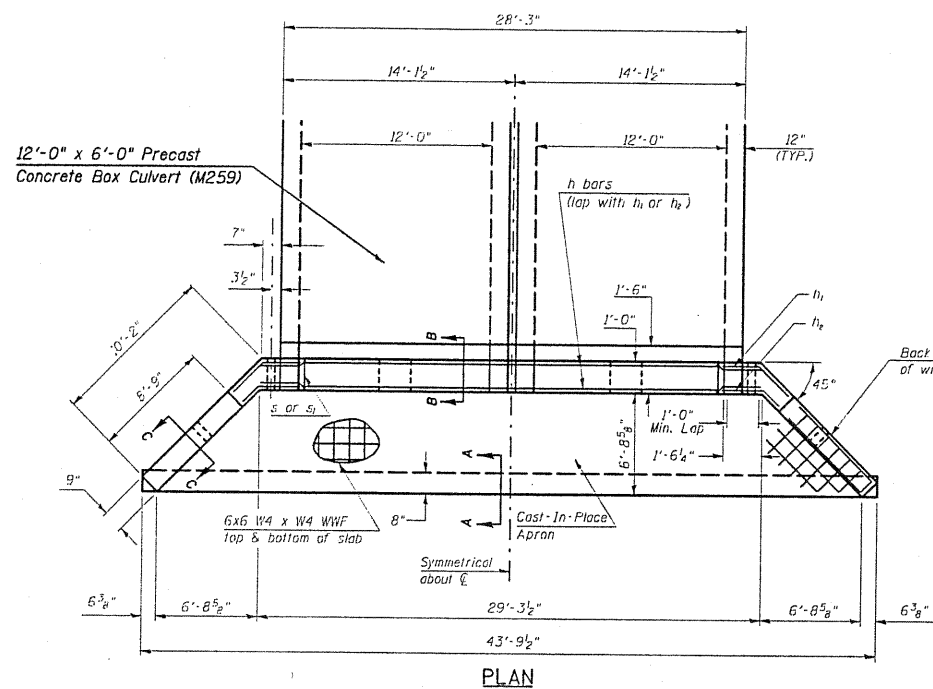
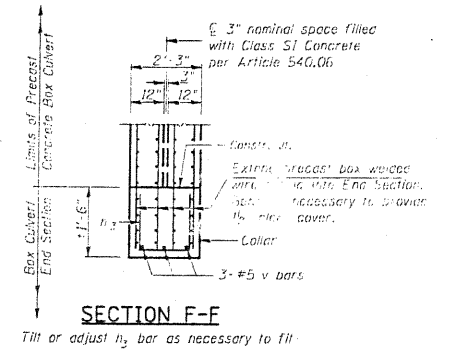
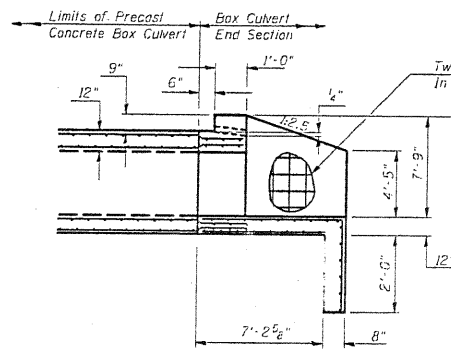
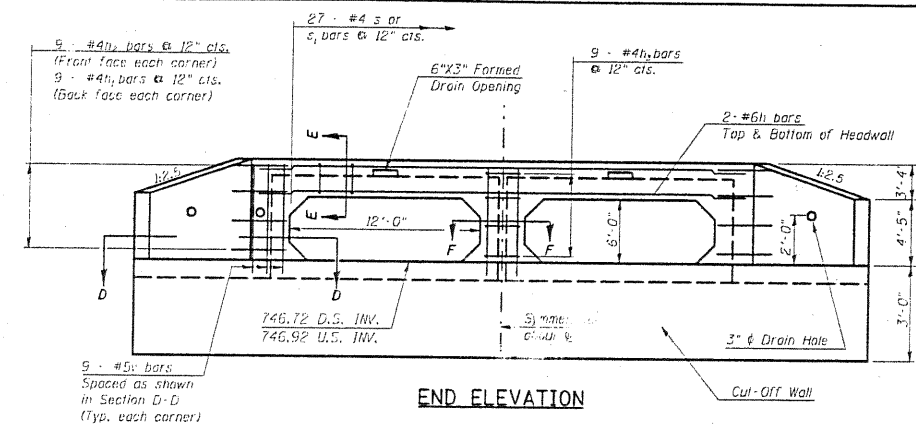


TOTAL BILL OF MATERIAL

Item	Unit	Total
Removal of Existing Structures No. 1	Each	1
Precast Concrete Box Culverts 12'x6'	Foot	108
Box Culvert End Sections	Each	2
Name Plates	Each	1
Permanent Benchmark	Each	1

SHEET 1 OF 4

GENERAL PLAN AND ELEVATION
DOUBLE 12'x6' PRECAST BOX CULVERT
F.A.P. ROUTE 71 - SECTION 121R
MCLEAN COUNTY
STATION 363+70.00 S.N. 057-2047
CULVERT NO. 1



BILL OF MATERIAL
For Information Only
(One End Section)

Bar	No.	Size	Length	Shape
h	4	#6	29'-5"	
h1	18	#4	2'-8"	
h2	18	#4	2'-2"	
h3	9	#4	4'-5"	
s or s1	27	#4	4'-2"	
v	21	#5	8'-6"	
Item		Unit	Total	
Concrete Box Culverts		Cu. Yd.	29.6	
Reinforcement Bars		Pound	530.0	
Welded Wire Fabric		Sq. Ft.	1,063.0	

END SECTION DETAILS
DOUBLE 12'x6' PRECAST BOX CULVERT
F.A.P. ROUTE 71 - SECTION 121R
MCLEAN COUNTY
STATION 363+70, S.N. 057-2047
CULVERT NO. 1

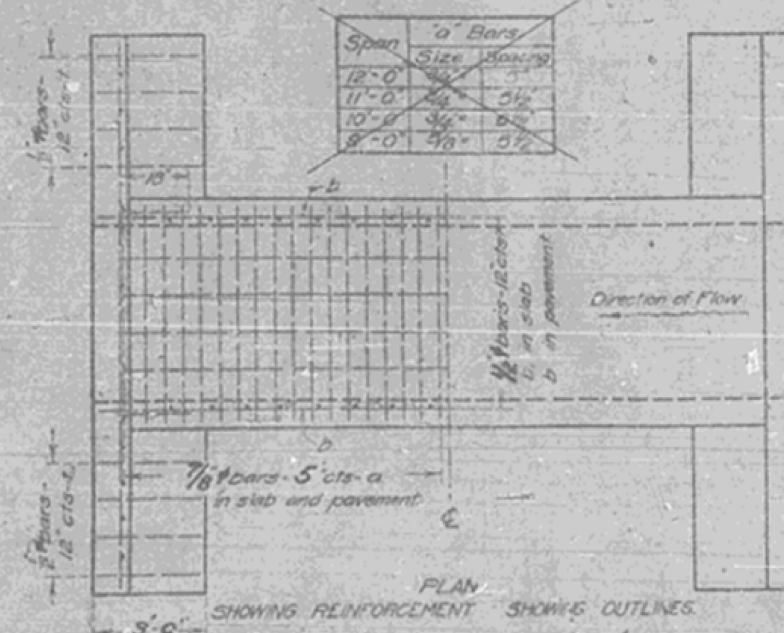
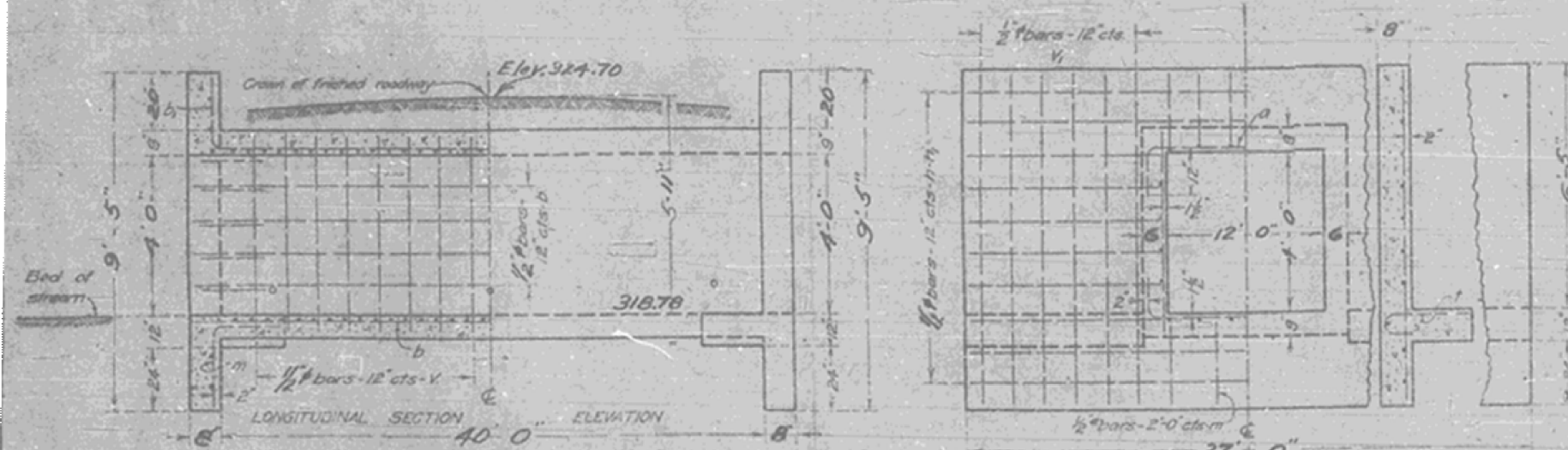
SHEET 2 OF 4

FILE NAME: g:\p\... USER NAME: kagrb	DESIGNED: - DRAWN: - CHECKED: - DATE: -	REVISED: - REVISED: - REVISED: - REVISED: -	STATE OF ILLINOIS DEPARTMENT OF TRANSPORTATION	BOX CULVERT END SECTION DETAILS PROPOSED CULVERT NO. 1 - STR. NO. 057-2047	F.A.P. RTE. 71 SECTION 121R COUNTY MCLEAN TOTAL SHEETS 87 SHEET NO. 29
SCALE: 1/4" = 1'-0"	SHEET NO. OF SHEETS STA. TO STA.	ILLINOIS FED. AID PROJECT	CONTRACT NO. 70592		

STATE OF ILLINOIS
STATE HIGHWAY DEPARTMENT
REINFORCED CONCRETE BOX CULVERT

FED. ROAD DIST. NO.	STATE	FED-AID PROJ. NO.	FISCAL YEAR	SHEET NO.	TOTAL SHEETS
7	ILL	159	1928	33	38

Rt 48, Sec. A-12R, DeWitt-McLean Co.



Note - Use 'm' bars in downstream headwall only.
Bar 'a' designed for full.
Maximum clearance = 8'-0".

ADJUST HEIGHT OF HEAD WALLS TO BE 12 INCHES ABOVE SHOULDER ELEVATION.
BUILD TOPS OF HEAD WALLS PARALLEL TO GRADE LINE.

BILL OF MATERIAL

Bars	No.	Size	Length
v	80	1/2"	5'-3"
w	28	1/2"	9'-3"
h	20	1/2"	14'-6"
n	16	1/2"	8'-6"
a	198	3/8"	14'-9"
b	38	3/8"	21'-6"
d	26	3/8"	23'-6"
f	28	1/2"	3'-6"
m	6	1/2"	5'-0"
Steel - Lbs			7150
Concrete - Cu Yds			47.4

Class A concrete to be used throughout
Proportions 1 - 2 1/2 - 4

SPECIAL CULVERT DESIGN
S.B.1 ROUTE 48 CONST. SEC. 121
DEWITT-MCLEAN COS
STATION 363+70

STANDARD
COMPUTER AIDED DESIGN
CHECKED
DRAWN
PLOT SCALE = 44.0000' / IN.
PLOT DATE = 10/16/2009

EXAMINED
PASSED
ENGINEER OF DESIGN

EXISTING STRUCTURE DETAIL
FOR INFORMATION ONLY

SHEET 4 OF 4

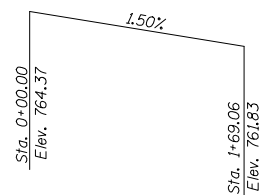
FILE NAME =	USER NAME = keysrb	DESIGNED -	REVISED -	STATE OF ILLINOIS DEPARTMENT OF TRANSPORTATION	EXISTING STRUCTURE 057-8001 DETAILS - FOR INFORMATION ONLY PROPOSED CULVERT NO. 1 - STR. NO. 057-2047	F.A.P. RTE.	SECTION	COUNTY	TOTAL SHEETS	SHEET NO.
ct:\pw\work\pwsdot\keysrb\10101441\070592	sh:BoxCulverts.dgn	DRAWN -	REVISED -			71	121R	MCLEAN	87	31
	PLOT SCALE = 44.0000' / IN.	CHECKED -	REVISED -			CONTRACT NO. 70592				
	PLOT DATE = 10/16/2009	DATE -	REVISED -			ILLINOIS FED. AID PROJECT				

EXISTING STRUCTURE: No Existing Structure

BENCHMARK ELEV. = 759.26 Chiseled square in top center of west headwall of 24" x 18" concrete box culvert at approx. Sta. 379+93, 30' LT.

General Notes

See 'Double Cell Precast Box Culvert End Sections' for end section details.



Profile Grade
Along ϕ TR 547 Roadway

STATION 0+76.31
BUILT 2011 BY
STATE OF ILLINOIS
F.A.P. RT. 71 SEC. 121R
LOADING HS 20
STRUCTURE NO. 057-2048

NAME PLATE
See Std. 515001

DESIGN SPECIFICATIONS
2002 AASHTO

LOADING HS20-44

Allow 50#/sq.ft. for future wearing surface

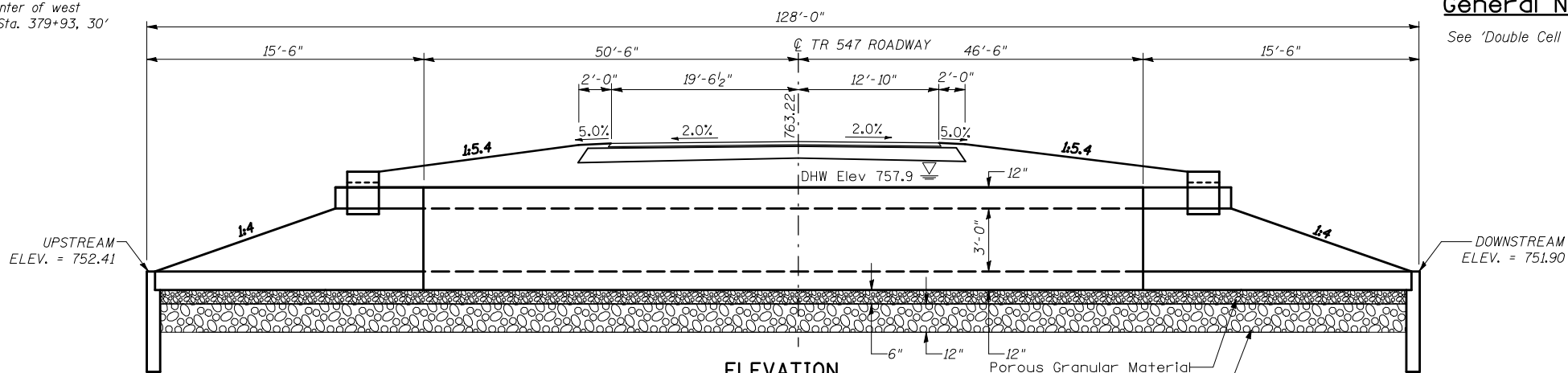
DESIGN STRESSES

FIELD UNITS

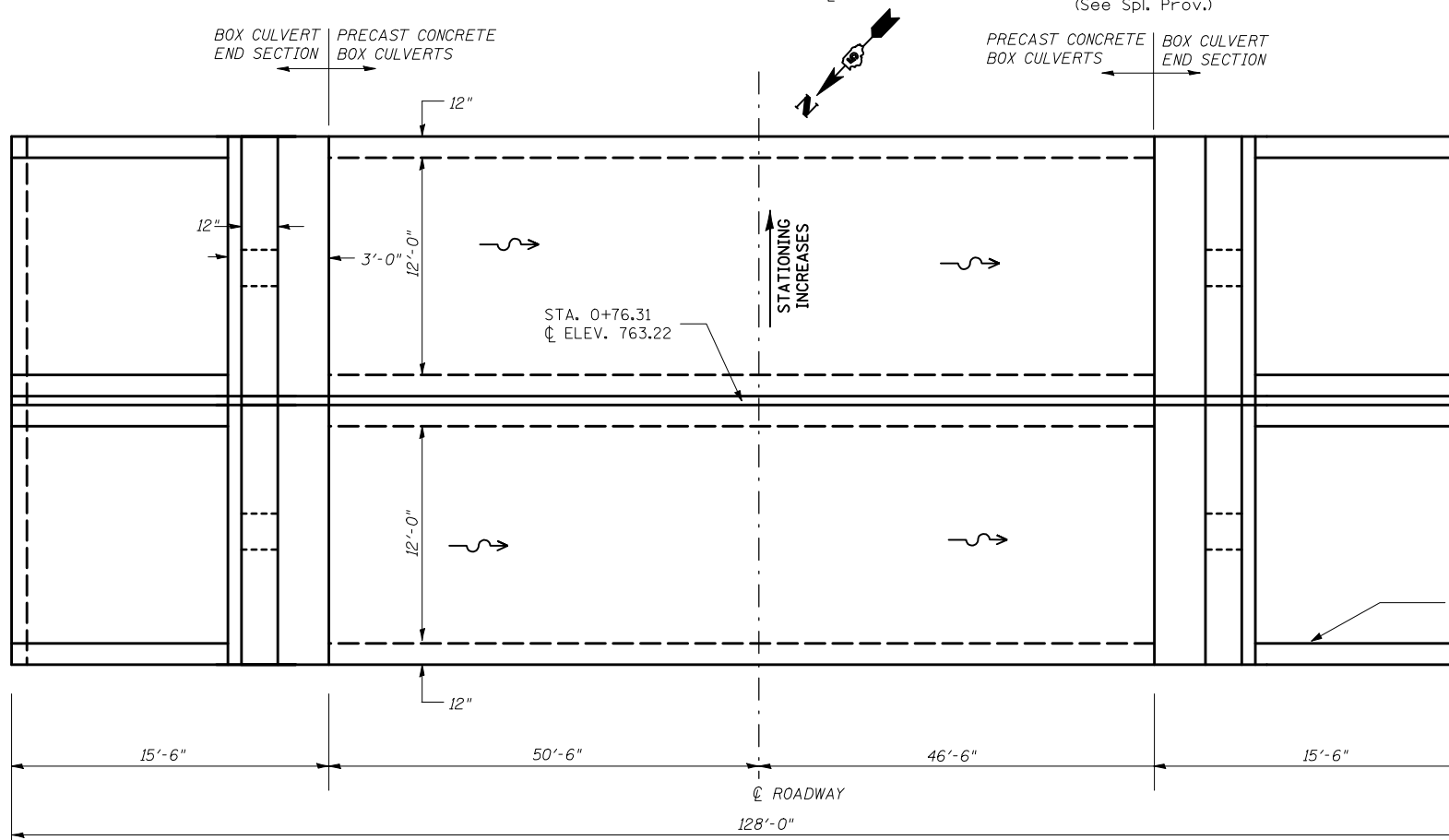
f'_c = 3,500 psi
 f_y = 60,000 psi (reinforcement)
 f_y = 65,000 psi (welded wire fabric)

PRECAST UNITS

f'_c = 5,000 psi
 f_y = 65,000 psi (welded wire fabric)



ELEVATION
(DIMENSIONS AT RIGHT ANGLES TO ϕ OF ROADWAY)



PLAN

WATERWAY INFORMATION TABLE

Route: TR 547	Existing S.N.: SLD 6.68 LT - No Structure Exists
Section: 121R	Proposed S.N.: 057-2048
County: McLean	Waterway: Unnamed Tributary of Salt Creek
Date: 4/30/2009	By: GMS

Flood	Freq. Yr.	Q C.F.S.	Opening Sq. Ft.		Natural H.W.E.	Head - Ft.		Headwater Elevation	
			Existing	Proposed		Existing	Proposed	Existing	Proposed
	10	244	N/A	72	N/A	N/A	N/A	N/A	756.6
Design	50	414	N/A	72	N/A	N/A	N/A	N/A	757.9
Base	100	493	N/A	72	N/A	N/A	N/A	N/A	758.5
Overtopping									
Max. Calc.	500	688	N/A	72	N/A	N/A	N/A	N/A	760.0

10 YEAR VELOCITY THROUGH EXISTING BRIDGE : N/A

10 YEAR VELOCITY THROUGH PROPOSED BRIDGE : 3.39 ft/s

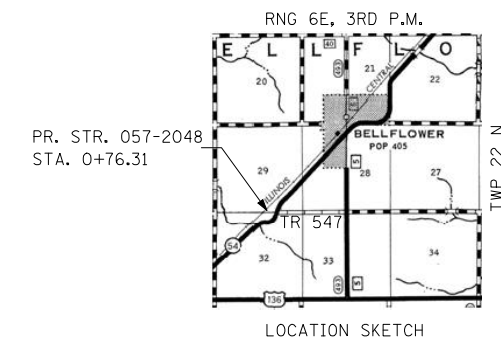
Design Scour Elevation Table

Design Scour Elevation (ft.)	Upstream	Downstream
	749.41	748.91

TOTAL BILL OF MATERIAL

Item	Unit	Total
Removal of Existing Structures No. 2	Each	1
Precast Concrete Box Culverts 12'x3'	Foot	194
Box Culvert End Sections, Culvert No.2	Each	2
Name Plates	Each	1

GENERAL PLAN AND ELEVATION
DOUBLE 12'x3' PRECAST BOX CULVERT
F.A.P. ROUTE 71 - SECTION 121R
MCLEAN COUNTY
STATION 0+76.31 S.N. 057-2048
CULVERT NO. 2

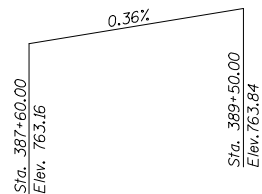


EXISTING STRUCTURE: No Existing Structure

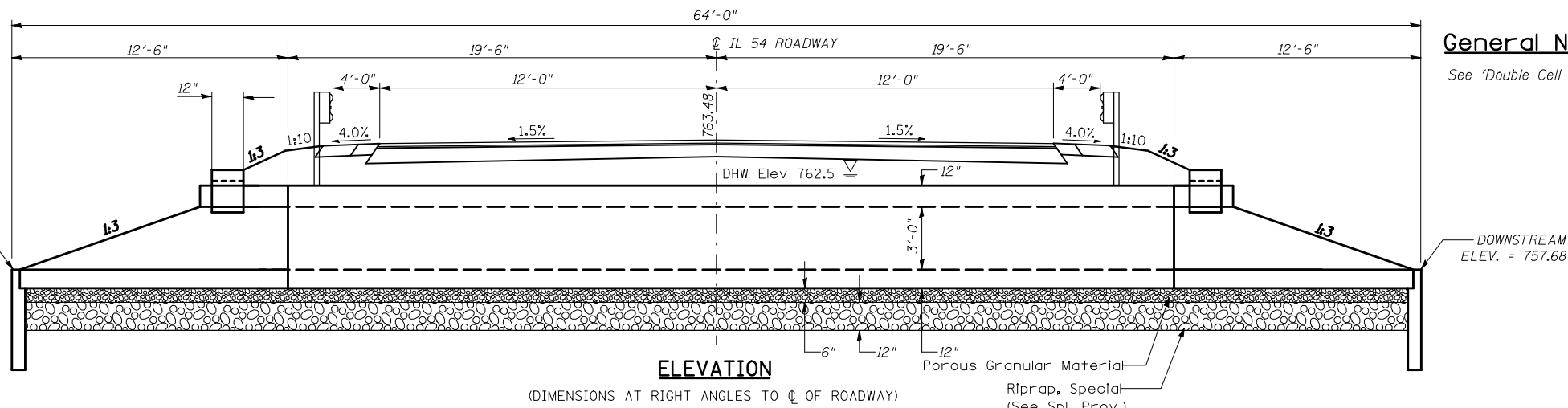
BENCHMARK ELEV. = 764.88 RR Spike in southwest corner F.P., west side F.P., at approx. Sta. 394+25, 35' RT.

General Notes

See 'Double Cell Precast Box Culvert End Sections' detail.



Profile Grade
Along ϕ IL 54 Roadway



ELEVATION

(DIMENSIONS AT RIGHT ANGLES TO ϕ OF ROADWAY)

UPSTREAM ELEV. = 757.90

DOWNSTREAM ELEV. = 757.68

STATION 388+50.00
BUILT 2011 BY
STATE OF ILLINOIS
F.A.P. RT. 71 SEC. 121R
LOADING HS 20
STRUCTURE NO. 057-2049

NAME PLATE
See Std. 515001

INDEX OF SHEETS

1. General Plan and Elevation
2. Soil Borings

DESIGN SPECIFICATIONS

2002 AASHTO

LOADING HS20-44

Allow 50#/sq.ft. for future wearing surface

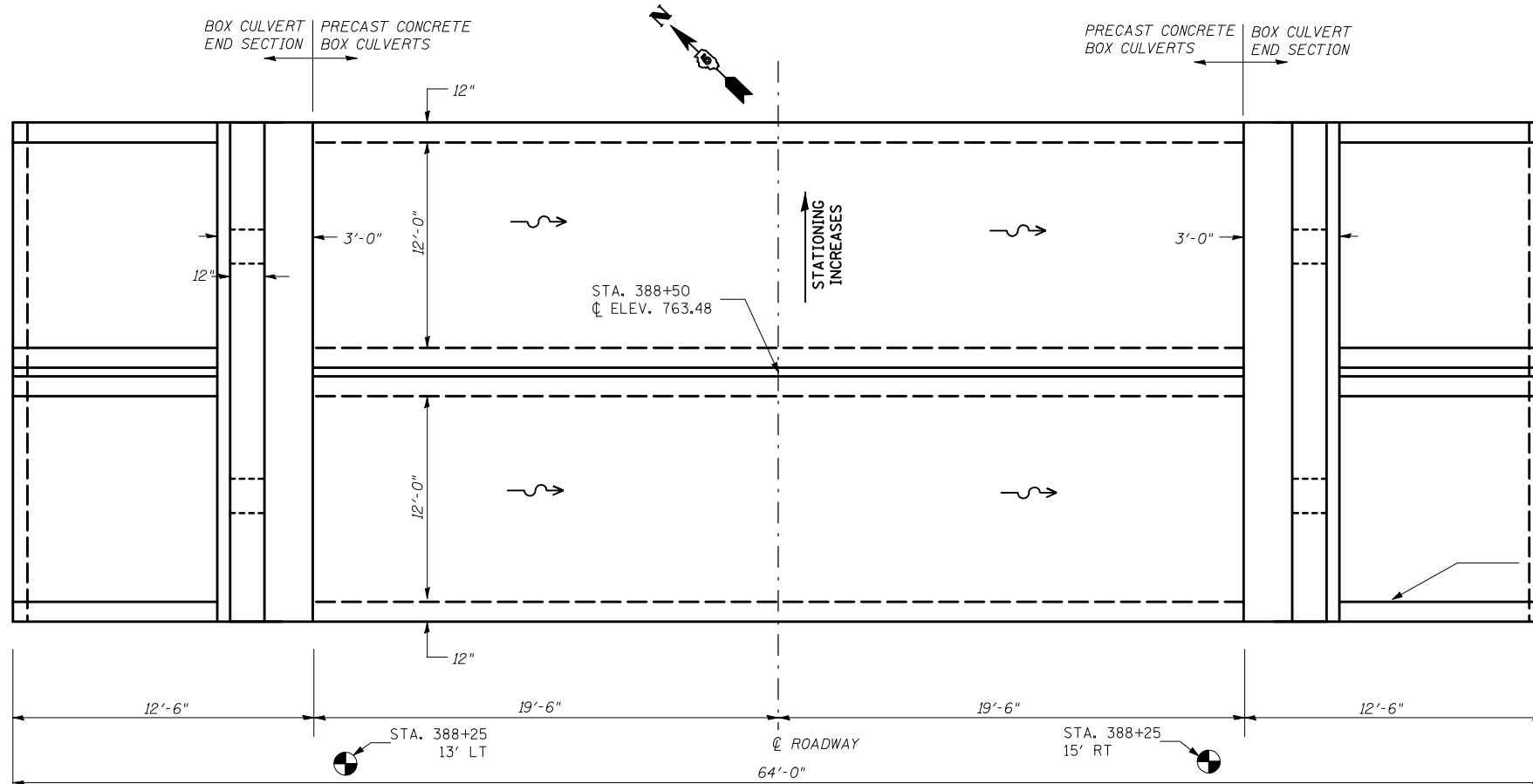
DESIGN STRESSES

FIELD UNITS

- $f'c = 3,500$ psi
- $f_y = 60,000$ psi (reinforcement)
- $f_y = 65,000$ psi (welded wire fabric)

PRECAST UNITS

- $f'c = 5,000$ psi
- $f_y = 65,000$ psi (welded wire fabric)



PLAN

MOUNT NAME PLATE

TOTAL BILL OF MATERIAL

Item	Unit	Total
Removal of Existing Structures No. 3	Each	1
Precast Concrete Box Culverts 12'x3'	Foot	78
Box Culvert End Sections, Culvert No.3	Each	2
Name Plates	Each	1

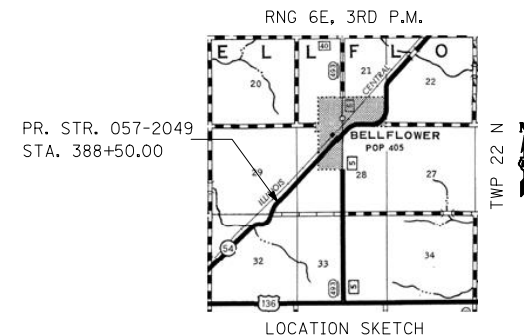
WATERWAY INFORMATION TABLE

Route: FAP 71 (IL-54)	Existing S.N.: SLD 6.62 - No Structure Exists
Section: 121R	Proposed S.N.: 057-2049
County: McLean	Waterway: Unnamed Tributary of Salt Creek
Date: 4/30/2009	By: GMS

Drainage Area = 0.4 mi. ²		Existing Low Grade Elev. = N/A @ Sta.		Proposed Low Grade Elev. = 762.95 ft. @ Sta. 386+20				
Flood Yr.	Q C.F.S.	Opening Sq. Ft. Existing	Proposed	Natural H.W.E.	Head - Ft. Existing	Proposed	Headwater Elevation Existing	Proposed
10	222	N/A	72	N/A	N/A	N/A	N/A	761.1
Design	50	379	72	N/A	N/A	N/A	N/A	762.5
Base	100	451	72	N/A	N/A	N/A	N/A	Over
Overtopping								
Max. Calc.	500	631	72	N/A	N/A	N/A	N/A	Over

Design Scour Elevation Table

Design Scour Elevation (ft.)	Upstream	Downstream
	754.90	754.68



GENERAL PLAN AND ELEVATION
DOUBLE 12'x3' PRECAST BOX CULVERT
F.A.P. ROUTE 71 - SECTION 121R
MCLEAN COUNTY
STATION 388+50.00 S.N. 057-2049
CULVERT NO. 3

SHEET 1 OF 2

STATE OF ILLINOIS
DEPARTMENT OF TRANSPORTATION

GENERAL NOTES

Box Culvert End Sections shall be constructed according to the requirements of Section 540 of the Standard Specifications except as modified herein. The unit of measurement of each for the pay item Box Culvert End Sections shall include all culvert sections necessary to construct the end section for the multi-cell culvert.

Typical box section dimensions, materials, and reinforcement details for Box Culvert End Sections shall be according to the requirements of AASHTO M 259 or M 273 as required for the design of the portion of the culvert within the limits of Precast Concrete Box Culverts except as modified herein.

Length and number of precast box sections required to construct Box Culvert End Sections shall be determined by the Contractor.

Cast-in-place concrete toewall shall be reinforced the full length with welded wire fabric, 6 in. x 6 in. - W4.0 x W4.0, weighing 58 lbs. per 100 sq. ft. Forms for the toewall may be omitted when soil conditions permit.

See roadway plans for embankment slope (V:H).

1" ϕ anchor rods for the culvert ties shall conform to the requirements of ASTM F1554, Grade 105. Structural steel for tie plate and restraint angle shall conform to the requirements of Article 1006.04 of the Standard Specifications. All components of the culvert tie detail shall be galvanized according to the requirements of AASHTO M 111 or M 232 as applicable. 2 1/4" x 2 1/4" x 5/16" plate washers shall be provided under each nut required for the anchor rods. All anchor rods in a culvert tie assembly shall be snug tightened by a few impacts of an impact wrench or the full force of a worker using an ordinary spud wrench. Formed holes may be provided in the culvert walls for the culvert tie assembly in lieu of drilling holes.

Culvert ties shall be provided on the exterior walls. Alternate culvert ties similar in strength and stiffness to the plan details may be provided by the Contractor. Alternate culvert ties shall be subject to approval of the Engineer.

The superimposed headwall shall be cast directly onto the box sections after being laid in the field. Class SI concrete shall be used for construction of the superimposed headwall.

In lieu of using expansion anchors or ferrule loop inserts, the Contractor may attach the headwall to the box section by epoxy grouting reinforcement bars or threaded rods according to the requirements of Section 584 of the Standard Specifications. The chemical adhesive system shall be capable of achieving the minimum proof load stated with drilled hole depths that do not exceed 2/3 of the thickness of the top slab of the box section.

All costs associated with furnishing and installing or constructing the filter fabric, toewall, superimposed headwall, and culvert ties will not be measured for payment but shall be included in the contract unit price for Box Culvert End Sections.

Reinforcement bars designated (E) shall be epoxy coated.

Reinforcement bars shall conform to the requirements of ASTM A 706 Gr. 60. See Special Provisions.

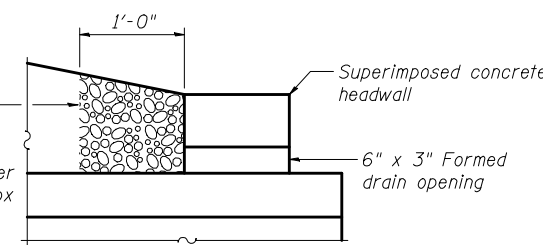
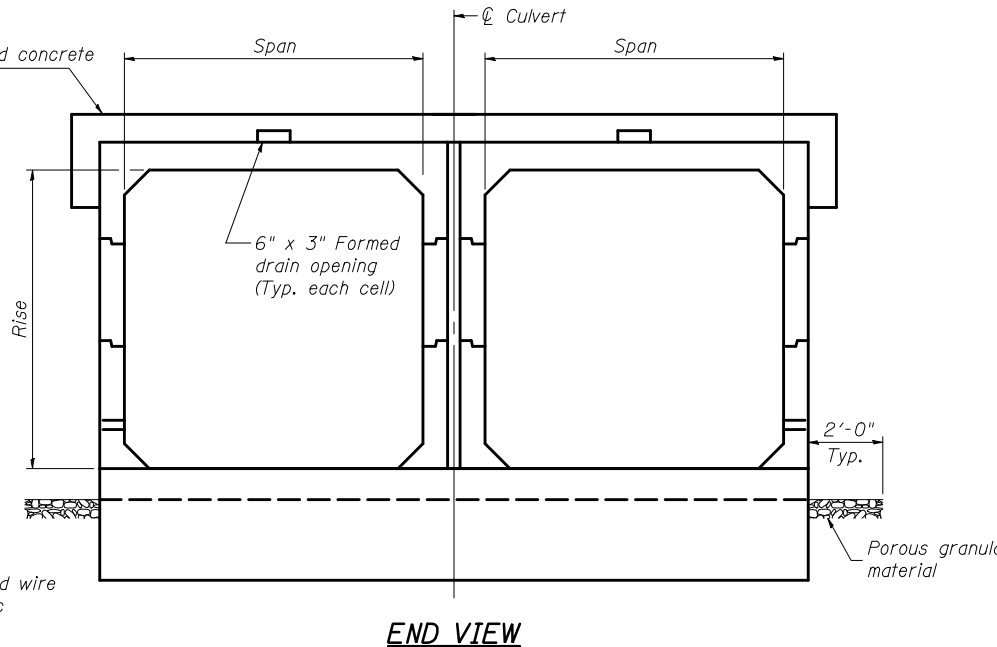
Drainage holes shall conform to the requirements of Article 503.11 of the Standard Specifications.

The 3" nominal space between adjacent end sections shall be filled with Class SI concrete in accordance with Article 540.06 of the Standard Specifications. Cost included with Box Culvert End Sections.

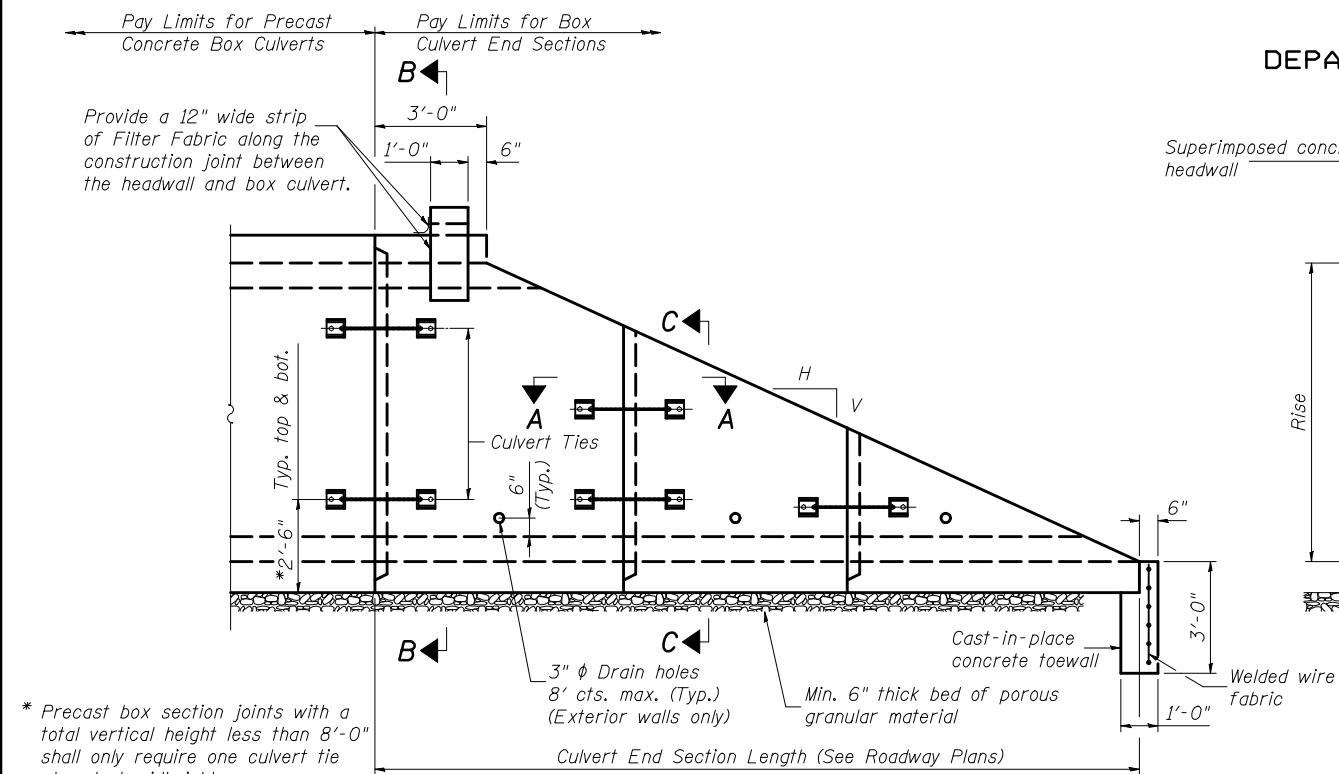
DOUBLE CELL PRECAST BOX CULVERT END SECTIONS

(Sheet 1 of 2)

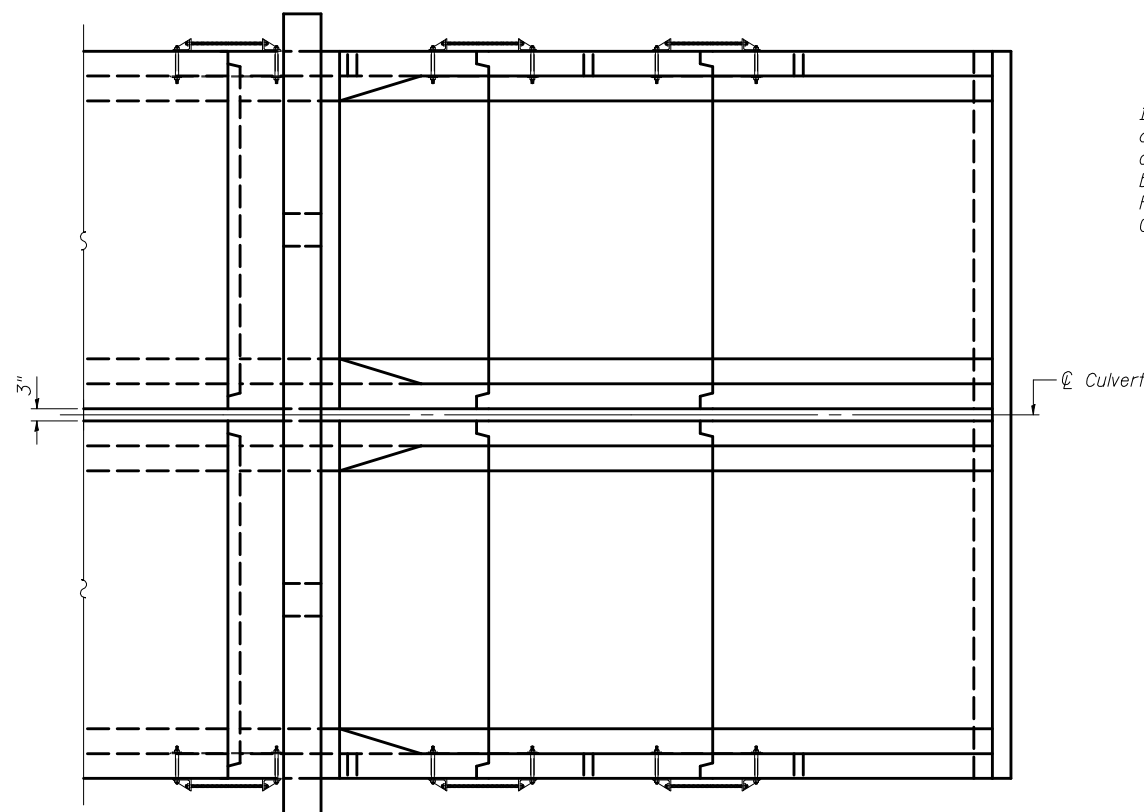
F.A. RTE.	SECTION	COUNTY	TOTAL SHEETS	SHEET NO.
71	121R	MCLEAN	87	35
CONTRACT NO. 70592				
FED. ROAD DIST. NO.		ILLINOIS	FED. AID PROJECT	



FORMED DRAIN DETAIL
(Showing section thru headwall)



SIDE ELEVATION



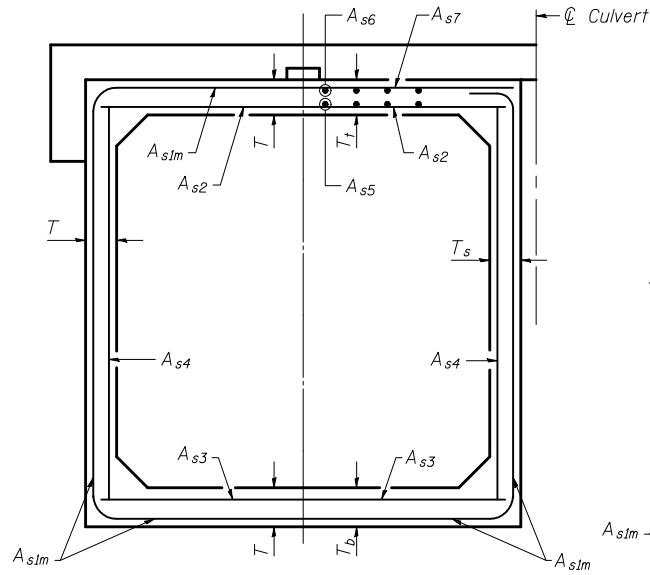
PLAN VIEW

* Precast box section joints with a total vertical height less than 8'-0" shall only require one culvert tie placed at midheight.

DESIGNED -	200
CHECKED -	EXAMINED
DRAWN -	PASSED
CHECKED -	ENGINEER OF BRIDGES AND STRUCTURES

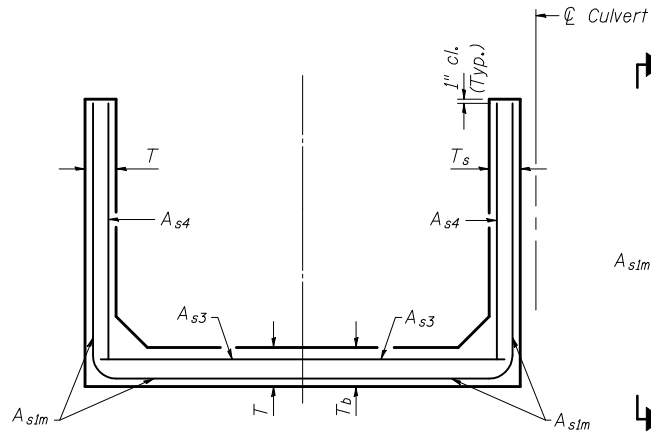
(09-01-09)

STATE OF ILLINOIS
DEPARTMENT OF TRANSPORTATION



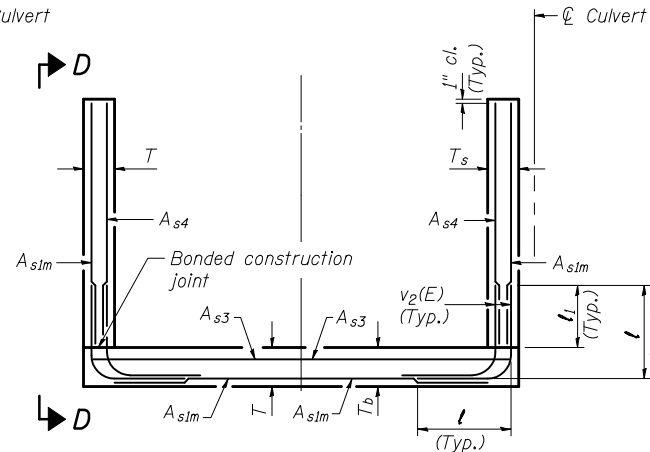
SECTION B-B

(AASHTO M 259 Details) (AASHTO M 273 Details)



SECTION C-C

(AASHTO M 259 Details) (AASHTO M 273 Details)

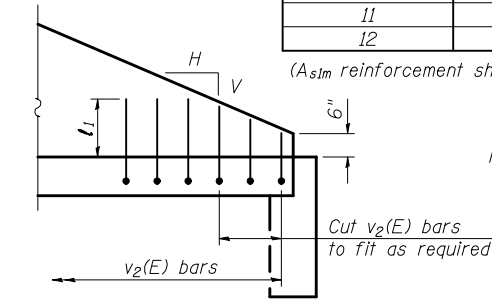


ALTERNATE SECTION C-C

(AASHTO M 259 Details) (AASHTO M 273 Details)

l₁ DIMENSION

- #3 bar = 1'-4"
- #4 bar = 1'-9"
- #5 bar = 2'-3"
- #6 bar = 2'-8"



SECTION D-D

(Showing partial side elevation and conceptual layout of v₂(E) bars.)

Rise (ft.) T(in.), T _s (in.)	Reinforcing Steel A _{slm} (in. ² /ft.)											
	2	3	4	5	6	7	8	9	10	11	12	
4	0.19	0.15										
5	0.26	0.21	0.18									
6		0.26	0.23	0.22								
7		0.33	0.29	0.27	0.28							
8			0.43	0.39	0.36	0.34	0.40					
9				0.43	0.40	0.37	0.36	0.48				
10				0.47	0.44	0.41	0.38	0.42	0.56			
11					0.54	0.46	0.41	0.38	0.42	0.50	0.65	
12					0.58		0.50		0.45	0.46	0.75	

(A_{slm} reinforcement shall consist of welded wire fabric conforming to AASHTO M 55 or M 221).

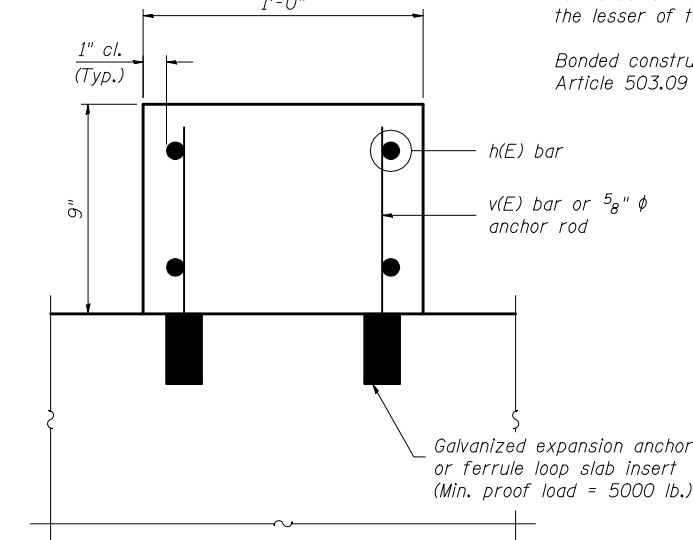
Notes:

Sections B-B and C-C and Partial Superimposed Headwall Elevation are symmetric about the \varnothing culvert through 180° rotation.

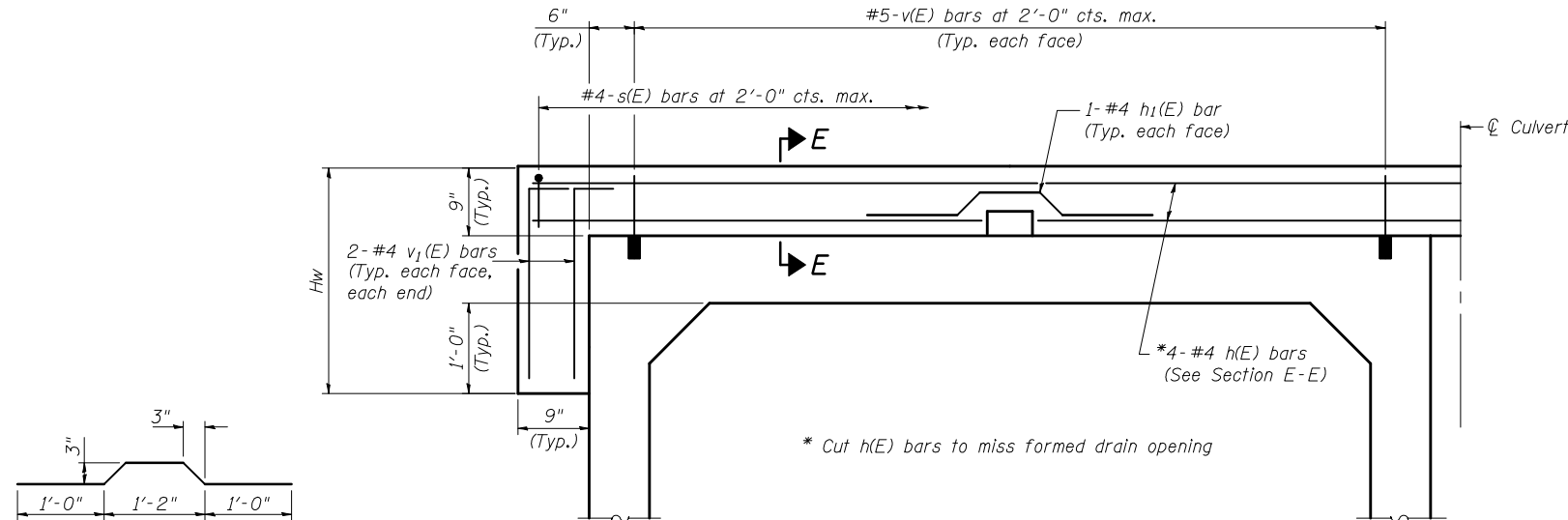
Alternate Section C-C is provided to allow the Contractor the option of casting the bottom slab of the end section first followed by construction of the sidewalls using conventional forming methods. Shop drawings that detail slab thickness and reinforcement layout shall be submitted to the Engineer for review and approval when using Alternate Section C-C.

The size and spacing of the v₂(E) bars shall provide a minimum reinforcement area along each face of the walls (in.²/ft.) equal to 1.10*(A_{slm}). v₂(E) bars may consist of #3 thru #6 size reinforcement bars and the longitudinal spacing shall not exceed the lesser of the wall thickness or 8 inches.

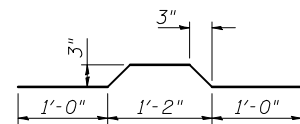
Bonded construction joints shall be prepared in accordance with Article 503.09 of the Standard Specifications.



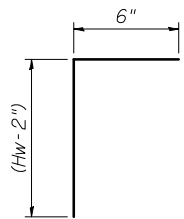
SECTION E-E



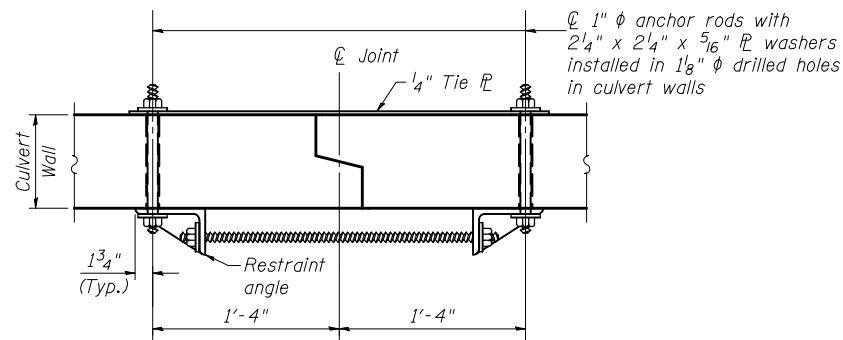
PARTIAL SUPERIMPOSED HEADWALL ELEVATION



BAR h₁(E)

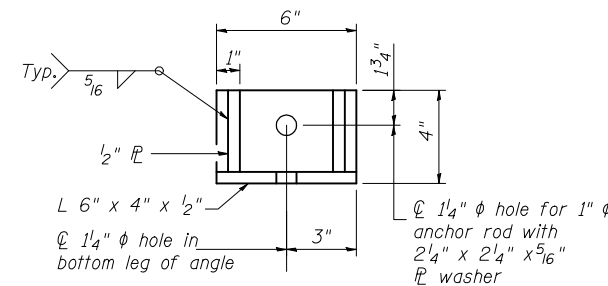


BAR v₁(E)

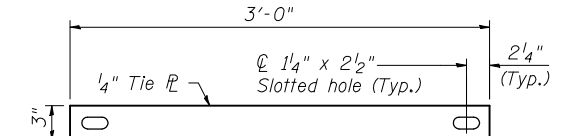


SECTION A-A

(Showing culvert tie details)



RESTRAINT ANGLE DETAIL



TIE PLATE DETAIL

DOUBLE CELL PRECAST BOX CULVERT END SECTIONS

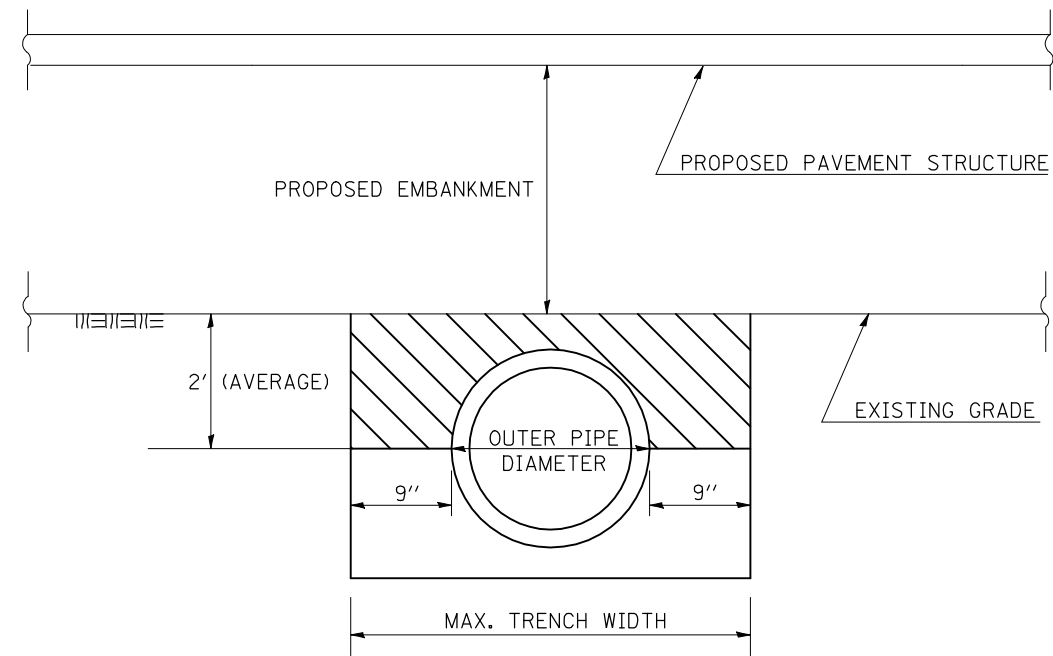
(Sheet 2 of 2)

DESIGNED -	200
CHECKED -	EXAMINED
DRAWN -	PASSED
CHECKED -	ENGINEER OF BRIDGE DESIGN
	ENGINEER OF BRIDGES AND STRUCTURES

(09-01-09)

F.A. RTE.	SECTION	COUNTY	TOTAL SHEETS	SHEET NO.
71	121R	MCLEAN	87	36
CONTRACT NO. 70592				
FED. ROAD DIST. NO.		ILLINOIS FED. AID PROJECT		

PIPE CULVERT, CL A, TY II, 18"
STA. 379 + 00.00



 PAY LIMITS OF POROUS GRANULAR BACKFILL - CA-6

NOTE: POROUS GRANULAR BACKFILL SHALL EXTEND 2'-0" OUTSIDE OF THE EDGE OF THE AGGREGATE SHOULDER.

Note: All dimensions are in INCHES (millimeters) unless otherwise shown.

FILE NAME =	USER NAME = keyarb	DESIGNED -	REVISED - 07/09 KJT
ct:\pw\work\PWIDOT\KEYSRB\0010144\057052-sht-details.dgn		DRAWN -	REVISED -
	PLOT SCALE = 40.0000 ' / IN.	CHECKED -	REVISED -
	PLOT DATE = 10/16/2009	DATE -	REVISED -

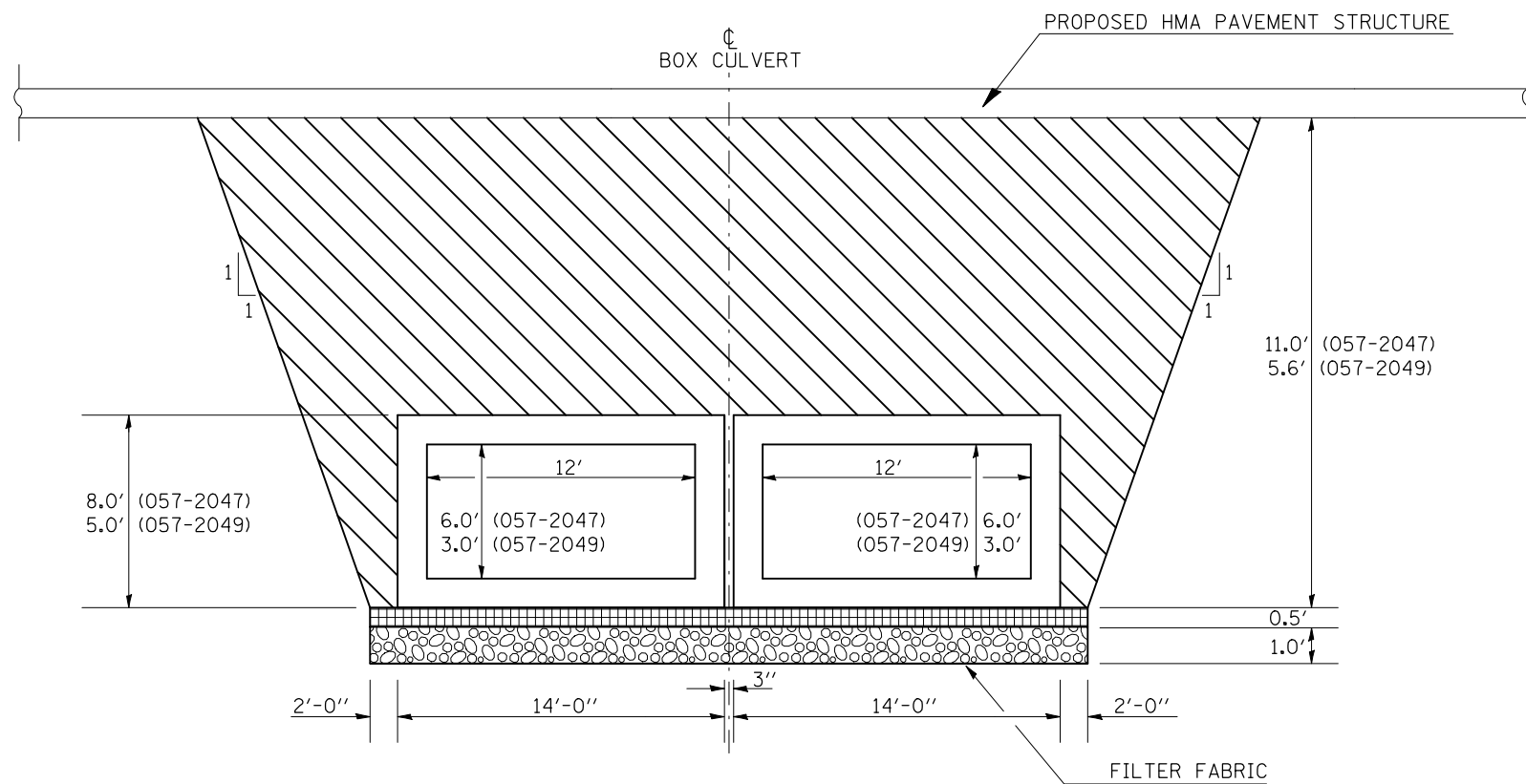
**STATE OF ILLINOIS
DEPARTMENT OF TRANSPORTATION**

POROUS GRANULAR BACKFILL DETAIL

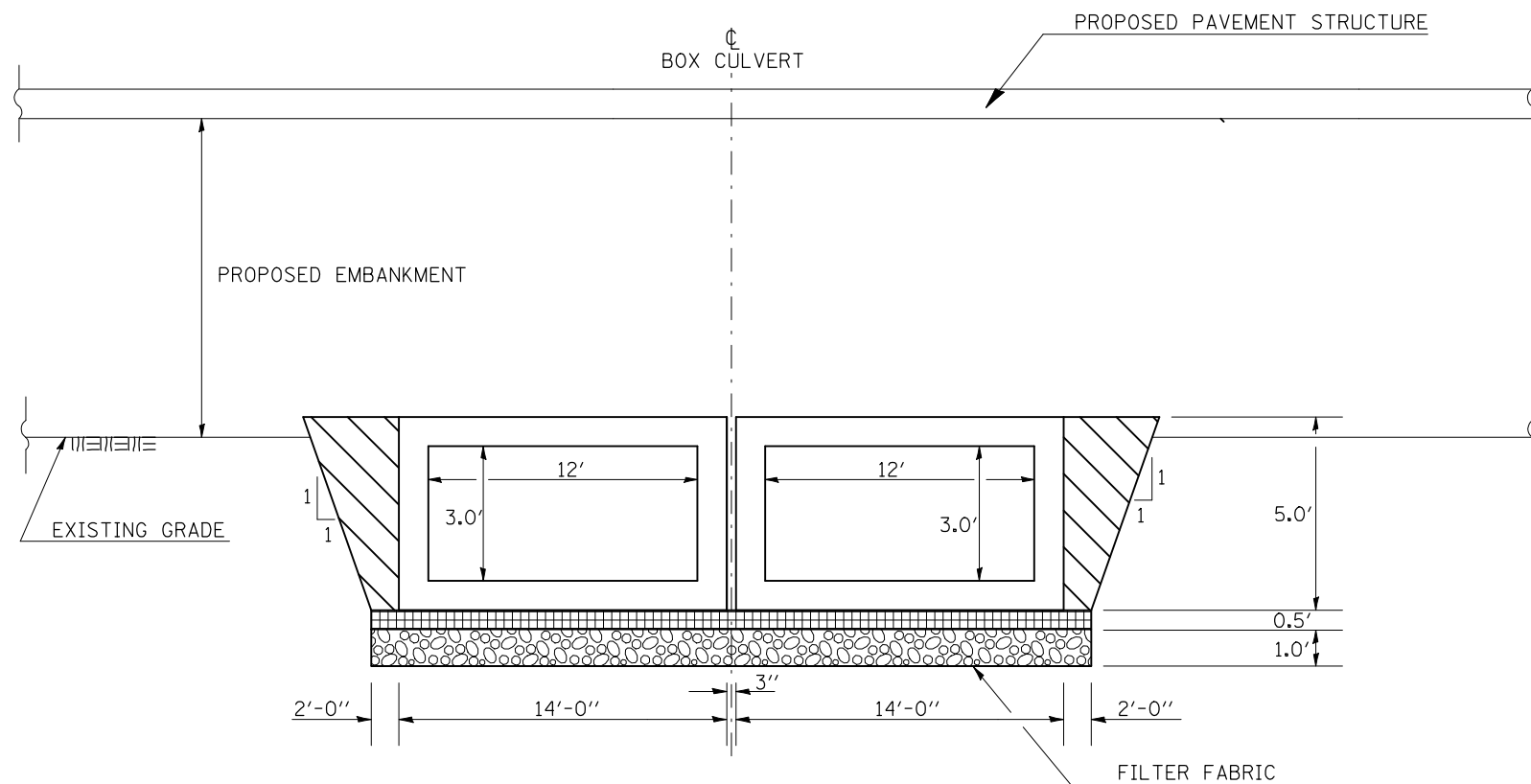
SCALE: SHEET NO. OF SHEETS STA. TO STA.

F.A.P. RTE.	SECTION	COUNTY	TOTAL SHEETS	SHEET NO.
71	121R	MCLEAN	87	37
CONTRACT NO. 70592				
ILLINOIS FED. AID PROJECT				

STR. NO. 057-2047 & 057-2049

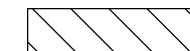


STR. NO. 057-2048



NOTES:

1. POROUS GRANULAR EMBANKMENT SHALL EXTEND 2'-0" BEYOND THE AGGREGATE OR EARTH SHOULDER.
2. WORK SHOWN IN THIS DETAIL SHALL BE PERFORMED ACCORDING TO THE APPLICABLE PORTIONS OF ARTICLES 207 AND 540 OF THE STANDARD SPECIFICATIONS AND SHALL BE PAID FOR AT THE CONTRACT UNIT PRICE PER CUBIC YARD FOR POROUS GRANULAR EMBANKMENT.
3. THE AREA TO BE EXCAVATED FOR THE PROPOSED BOX CULVERTS SHALL BE MEASURED AND PAID FOR AT THE CONTRACT UNIT PRICE PER CUBIC YARD FOR STRUCTURE EXCAVATION.
4. THE 3" SPACE BETWEEN THE BOXES SHALL BE FILLED ACCORDING TO ARTICLE 540.06 AND SHALL NOT BE PAID FOR SEPARATELY, BUT SHALL BE CONSIDERED INCIDENTAL TO THE VARIOUS PAY ITEMS ASSOCIATED WITH BOX CULVERT CONSTRUCTION.
5. ADDITIONAL UNDERCUT MAY BE SPECIFIED AT SOME BOX CULVERTS.
6. THIS DETAIL IS NOT DRAWN TO SCALE.
7. RIPRAP (SPECIAL) INCLUDES THE EXCAVATION OF THE UNSUITABLE MATERIAL. THE FILTER FABRIC SHALL BE PAID FOR SEPARATELY. RIPRAP (SPECIAL) SHALL EXTEND 2' BEYOND THE BARREL AND THE APRON FROM BACK TO BACK OF CUTOFF WALLS.



PAY LIMITS OF POROUS GRANULAR EMBANKMENT - CA-6



POROUS GRANULAR MATERIAL - CA 7 (6'') INCLUDED IN PAY ITEM FOR BOX CULVERT



RIPRAP (SPECIAL) ON FILTER FABRIC

Note: All dimensions are in INCHES (millimeters) unless otherwise shown.

FILE NAME =	USER NAME = keyarb	DESIGNED -	REVISED - 07/09 KJT
ct:\pw\work\PWIDOT\KEYSRB\00101441\057052-sht-details.dgn		DRAWN -	REVISED -
	PLOT SCALE = 40.0000 ' / IN.	CHECKED -	REVISED -
	PLOT DATE = 10/16/2009	DATE -	REVISED -

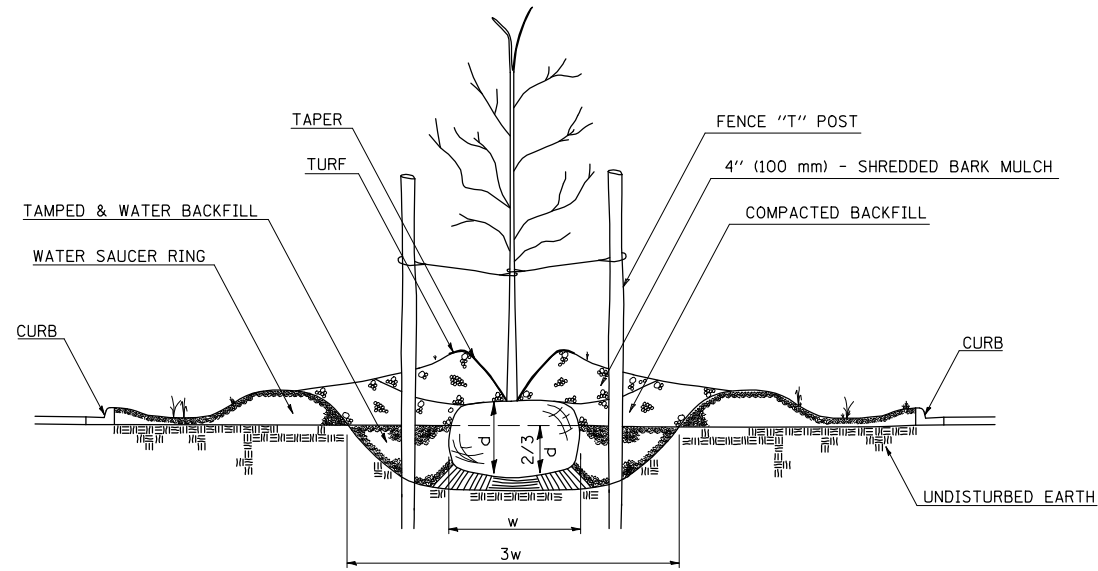
STATE OF ILLINOIS
DEPARTMENT OF TRANSPORTATION

POROUS GRANULAR EMBANKMENT DETAILS

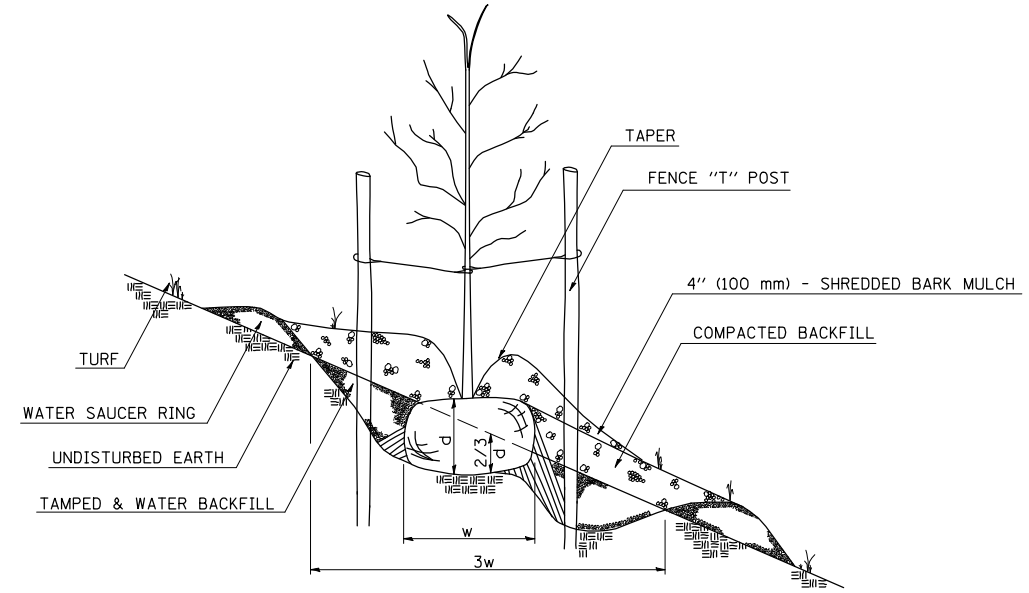
SCALE: SHEET NO. OF SHEETS STA. TO STA.

F.A.P. RTE.	SECTION	COUNTY	TOTAL SHEETS	SHEET NO.
71	121R	MCLEAN	87	38
CONTRACT NO. 70592				
ILLINOIS FED. AID PROJECT				

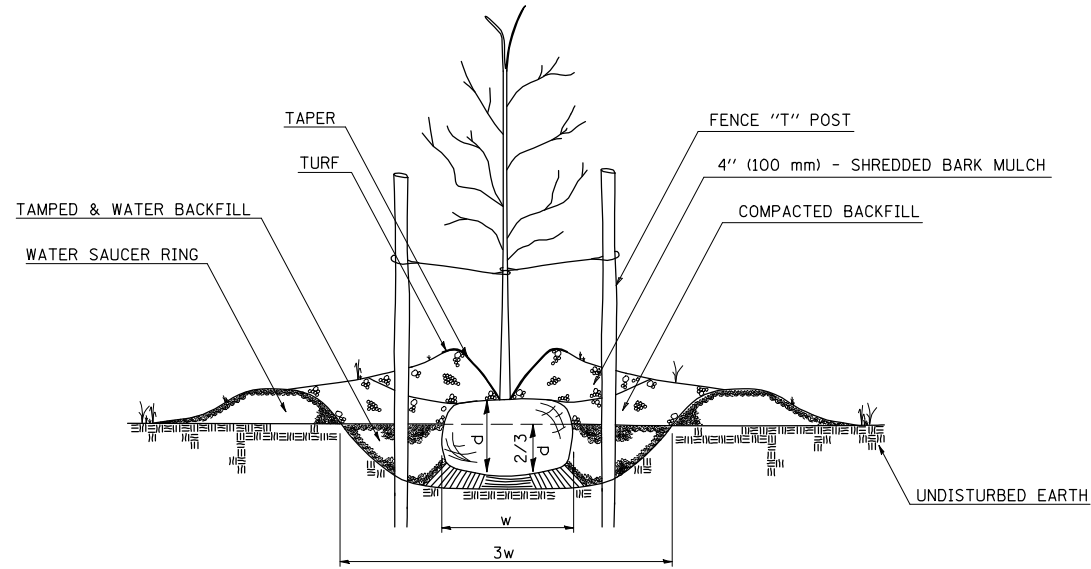
PARKWAY PLANTING DETAIL



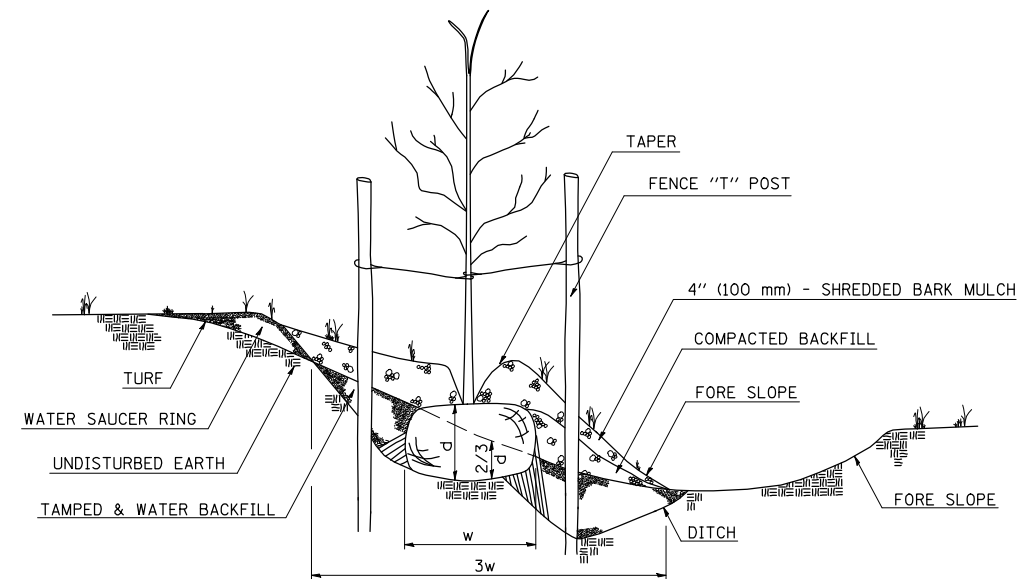
HILL PLANTING DEPTH



FLAT GROUND PLANTING DETAIL



DITCH AREA PLANTING DETAIL



HOLE DEPTH SCHEDULE

Tree Size (Calliper)		Shrub Tree Height		Evergreen Height		Min. Diameter Ball (w)		Min. Depth Ball (d)		Hole Depth (2/3d)		Hole Width (3w)	
6 mm	1/4 in	600 mm	2 ft	500 mm	1.5 ft	255 mm	10 in	190 mm	7 1/2 in	130 mm	5 in	760 mm	30 in
13	1/2	900	3	600	2	300	12 in	230	9	150	6	900	36
19	3/4	1250	4	900	3	355	14	270	10 1/2	180	7	1070	42
25	1	1500	5	1250	4	400	16	300	12	205	8	1220	48
30	1 1/4	1800	6	1375	4 1/2	460	18	345	13 1/2	230	9	1375	54
40	1 1/2	2000	7	1500	5	500	20	345	13 1/2	230	9	1525	60
45	1 3/4	2500	8	1800	6	560	22	370	14 1/2	255	10	1680	66
50	2	2700	9	2000	7	600	24	400	16	280	11	1830	72
60	2 1/2	3000	10	2500	8	700	28	470	18 1/2	300	12	2140	84
80	3	3500	11	2700	9	800	32	500	20	330	13	2440	96
90	3 1/2	3700 mm	12 ft	3700	12	960	38	585	23	380	15	2900	114
100	4			4300	14	1070	42	635	25	430	17	3200	126
110	4 1/2			4900	16	1220	48	740	29	485	19	3660	144
130	5			5400 mm	18 ft	1375	54	815	32	535	21	4115	162
140	5 1/2					1450	57	865	34	585	23	4315	171
150	6					1525	60	915	36	610	24	4575	180
180	7					1780	70	1070	42	700	28	5330	210
205 mm	8 in					2030 mm	80 in	1220 mm	48 in	815 mm	32 in	6070 mm	240 in

Note: All dimensions are in INCHES (millimeters) unless otherwise shown.

DISTRICT 5 DETAIL NO. 253AAAAA

FILE NAME =	USER NAME = keyarb	DESIGNED -	REVISED - 12/06
ct:\pw\work\PWIDOT\KEYSRB\00101441\0570592-sht-details.dgn		DRAWN -	REVISED -
	PLOT SCALE = 40.0000' / IN.	CHECKED -	REVISED -
	PLOT DATE = 10/16/2009	DATE -	REVISED -

STATE OF ILLINOIS
DEPARTMENT OF TRANSPORTATION

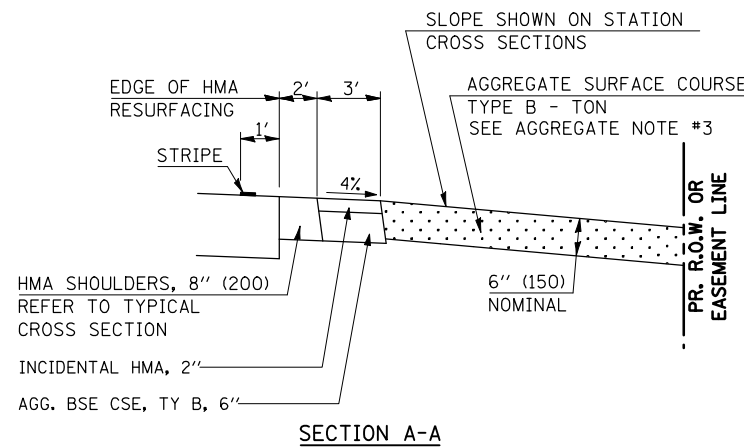
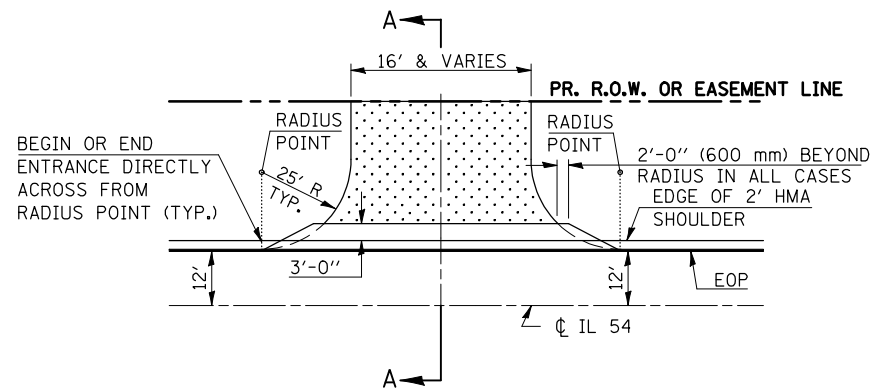
PLANTING DETAILS

SCALE: SHEET NO. OF SHEETS STA. TO STA.

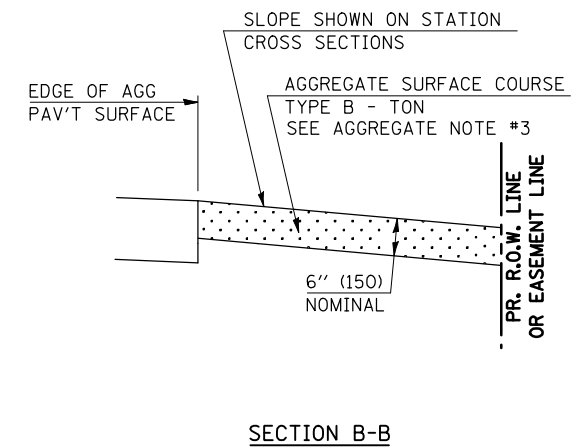
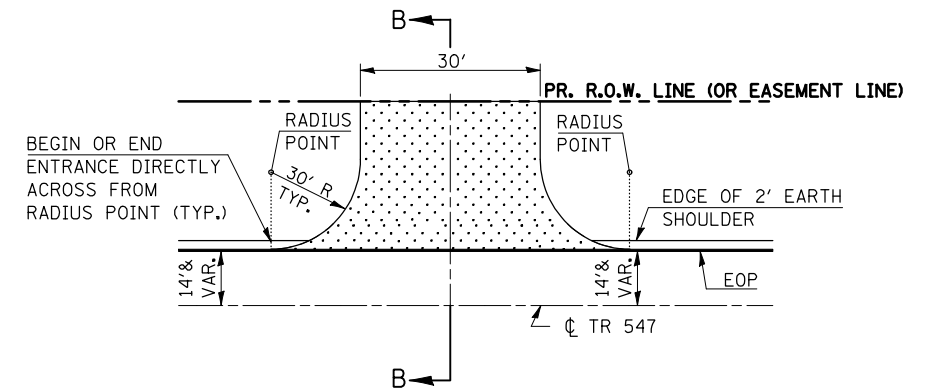
F.A. RTE.	SECTION	COUNTY	TOTAL SHEETS	SHEET NO.
71	121R	MCLEAN	87	39
CONTRACT NO. 70592				
FED. ROAD DIST. NO. ILLINOIS FED. AID PROJECT				

FIELD ENTRANCE DETAILS

IL 54 ENTRANCES



TR 547 ENTRANCES

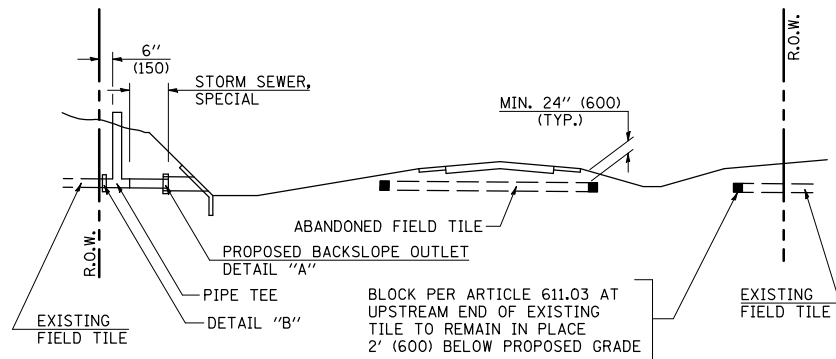


RURAL ENTRANCE DESIGN STANDARDS (PPM 40-09)								
DESIGN ELEMENT	NEW CONSTRUCTION & 3R with RECONSTRUCTION							
	NONCOMMERCIAL						COMMERCIAL	
	PRIVATE & FIELD			FIELD W/ FARM IMPLEMENTS				
	min.	des.	max.	min.	max.	min.	des.	max.
SURFACE WIDTH (FT)	12	16	24	24	30	1 LANE, 1 WAY		
						14	16	24
RADIUS (FT)	15	25	40	30		2 LANE, 2 WAY		
						24	30	35
SHOULDER WIDTH (FT)	2	2		2		1	3	
SHOULDER SLOPE (%)	2	4	6	4		2	4	6
ENTRANCE GRADE (%)	0	2 to 5	10 or 12	2 to 5	10 or 12	0	2 to 5	8 or 10
SIDE SLOPE (FT)	1:4	1:4	1:10	1:4	1:6	1:4	1:6	1:10
SURFACE TYPE								
INCIDENTAL HMA SURFACING (INCH)		2		2		3 or 4		
AGGREGATE SURFACE COURSE, TYPE B (INCH)		6		6		8		
PCC DRIVEWAY PAVEMENT (INCH)		6						6 or 8

GENERAL NOTES

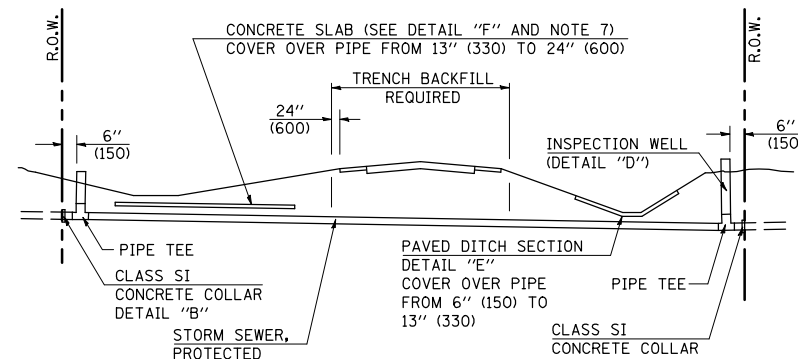
1. THE EXISTING SURFACE SHALL BE PREPARED IN ACCORDANCE WITH SECTION 408 OF THE STANDARD SPECIFICATIONS.
2. ANY NECESSARY WORK BEHIND THE HMA SHOULDER OR THE INCIDENTAL HMA SURFACING SHALL BE AS SHOWN IN THE PLANS AND/OR AS DIRECTED BY THE ENGINEER.
3. EARTH EXCAVATION REQUIRED FOR THE CONSTRUCTION OF THE AGGREGATE SURFACE COURSE SHALL BE INCLUDED IN THE COST OF AGGREGATE SURFACE COURSE.
4. AGGREGATE BASE COURSE, TYPE B, 6" (150) MIN. SHALL BE USED WHERE IN THE OPINION OF THE ENGINEER THERE IS NOT SUFFICIENT BASE MATERIAL FOR THE PROPOSED ENTRANCES. THIS MATERIAL SHALL GENERALLY BE USED TO WIDEN ANY EXISTING RETURN OR TO CONSTRUCT NEW ENTRANCES WHERE NONE NOW EXISTS.
5. THE AGGREGATE BASE COURSE SHALL BE CONSTRUCTED 12" (300 mm) WIDER THAN THE SURFACE DIMENSIONS AS SHOWN ABOVE.

Note: All dimensions are in INCHES (millimeters) unless otherwise shown.



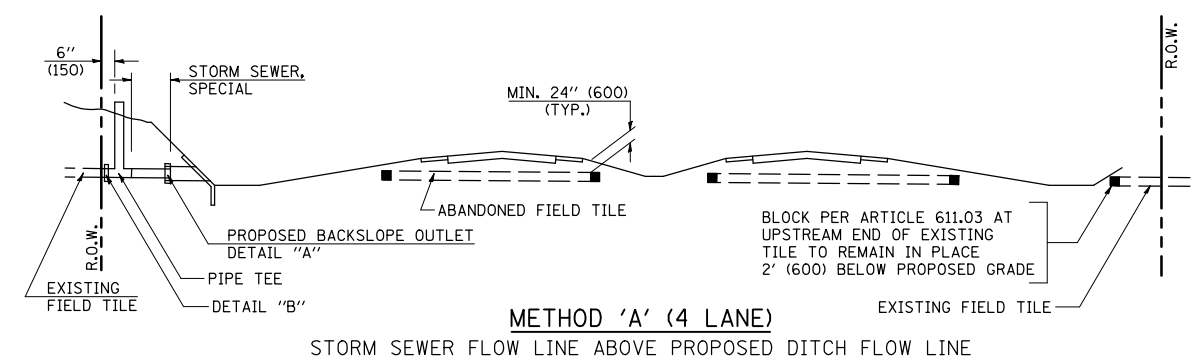
METHOD 'A' (2 LANE)

STORM SEWER FLOW LINE ABOVE PROPOSED DITCH FLOW LINE



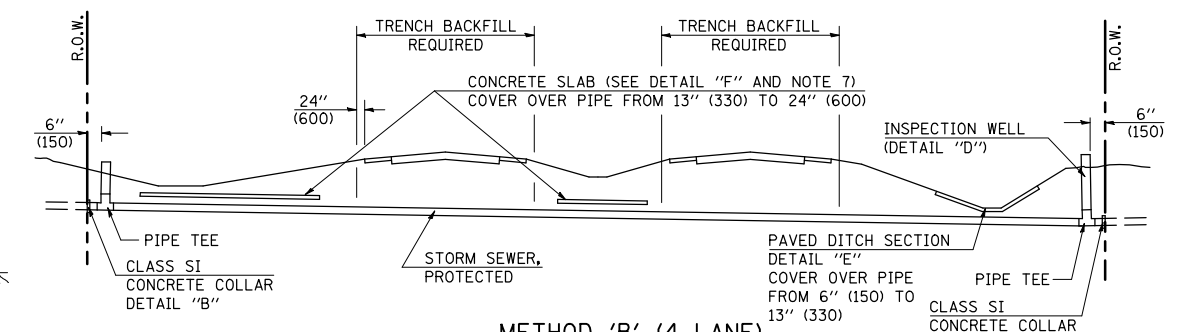
METHOD 'B' (2 LANE)

STORM SEWER LESS THAN 2' (600 mm) BELOW DITCH FLOW LINE AND STORM SEWERS CROSSING UNDER PAVEMENT AND PAVED DITCH



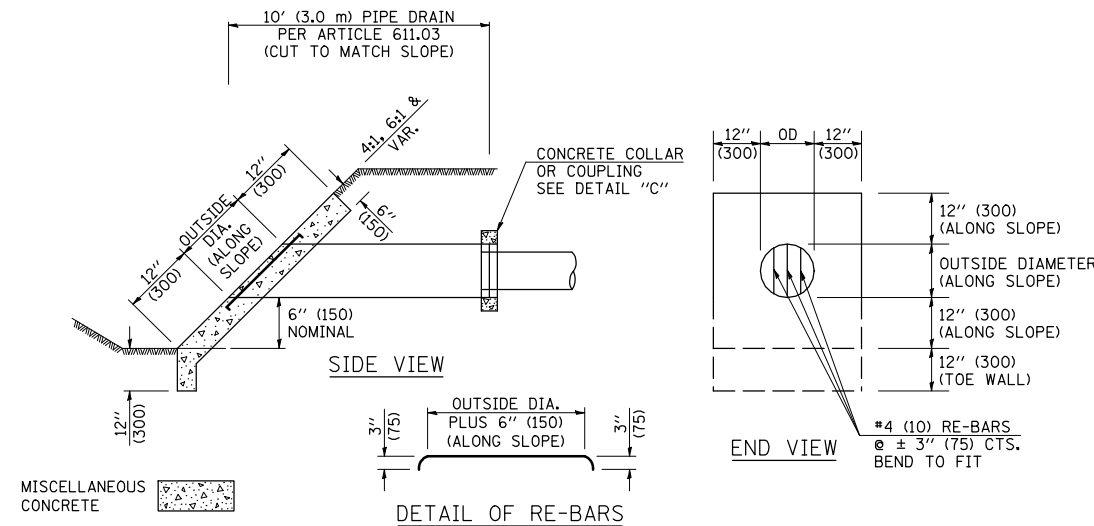
METHOD 'A' (4 LANE)

STORM SEWER FLOW LINE ABOVE PROPOSED DITCH FLOW LINE

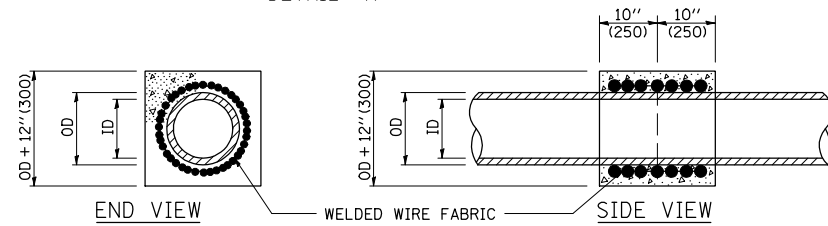


METHOD 'B' (4 LANE)

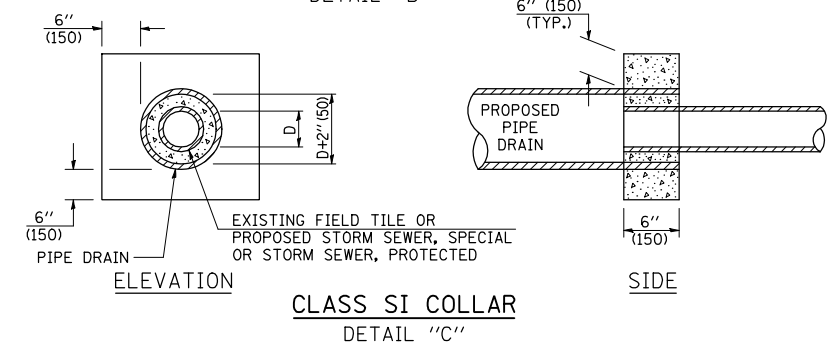
STORM SEWER LESS THAN 2' (600 mm) BELOW DITCH FLOW LINE AND STORM SEWERS CROSSING UNDER PAVEMENTS AND PAVED DITCHES



HEADWALL FOR BACKSLOPE OUTLET
DETAIL "A"



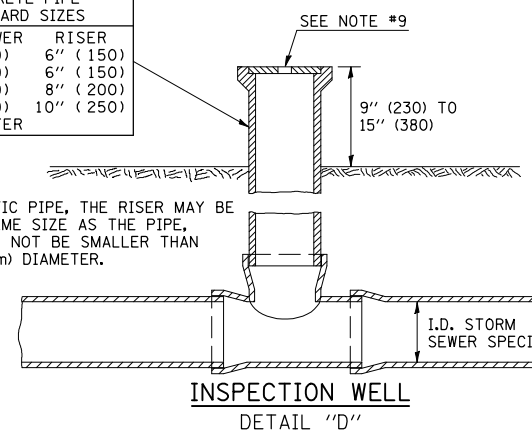
CONCRETE COLLAR
DETAIL "B"



CLASS SI COLLAR
DETAIL "C"

CONCRETE PIPE STANDARD SIZES	
STORM SEWER	RISER
6" (150)	6" (150)
8" (200)	6" (150)
10" (250)	8" (200)
12" (300)	10" (250)
OR GREATER	

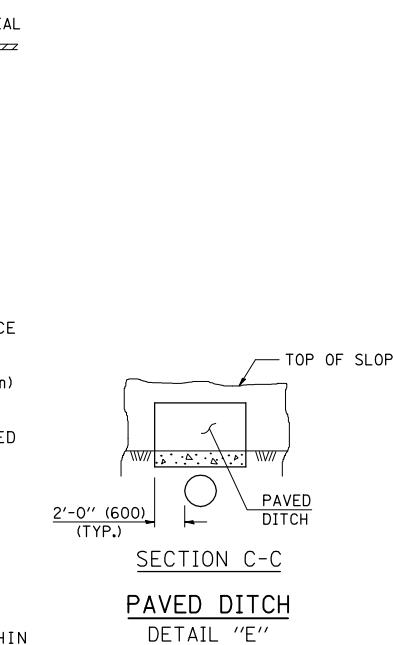
FOR PLASTIC PIPE, THE RISER MAY BE OF THE SAME SIZE AS THE PIPE, BUT SHALL NOT BE SMALLER THAN 4" (100 mm) DIAMETER.



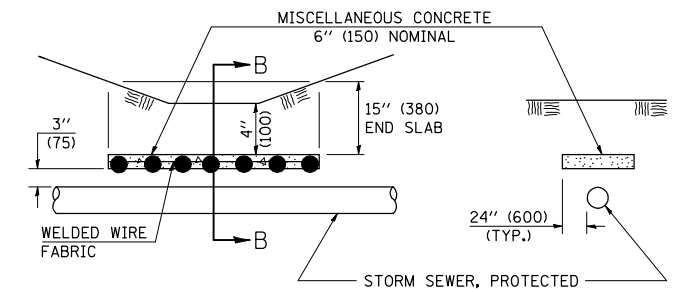
INSPECTION WELL
DETAIL "D"

GENERAL NOTES

- EXISTING FIELD TILE ENCOUNTERED BY EXPLORATION TRENCH SHALL BE INSPECTED BY THE ENGINEER FOR UNOBSTRUCTED FLOW WITHIN THE LIMITS OF THE RIGHT-OF-WAY.
- ONLY FIELD TILE THAT DOES NOT HAVE SATISFACTORY FLOW AND OR HAS VISIBLE SIGNS OF DETERIORATION (SINK HOLES, ETC.) SHALL BE REPLACED WITHIN THE LIMITS OF THE RIGHT-OF-WAY IN ACCORDANCE WITH METHOD "B".
- INSPECTION WELLS SHALL BE CONSTRUCTED APPROXIMATELY 6" (150 mm) INSIDE OF BOTH RIGHT-OF-WAY LINES AT ALL FIELD TILE LOCATIONS.
- EXISTING FIELD TILE ABANDONED UNDER EXISTING PAVEMENTS OR PAVED SHOULDERS SHALL BE FILLED WITH FLOWABLE GROUT AS DIRECTED BY THE ENGINEER. THIS WORK WILL BE PAID FOR ACCORDING TO ARTICLE 109.04.
- NON-CIRCULAR FIELD TILE SHALL BE REPLACED WITH STORM SEWER, SPECIAL OF AT LEAST THE SAME CROSS SECTIONAL AREA. ALL EXISTING FIELD TILE SHALL BE REPLACED WITH STORM SEWER OF THE TYPE REQUIRED FOR THE MINIMUM DEPTH OF COVER.
- THE 6" (150 mm) CONCRETE SLAB OR DITCH LINING SHALL BE POURED THE LENGTH OF THE TRENCH AT ALL DITCH FLOW LINE LOCATIONS WITHIN THE RIGHT-OF-WAY WITH LESS THAN 2' (600 mm) OF EARTH COVER. MISCELLANEOUS CONCRETE SHALL BE USED ACCORDING TO SECTION 611.
- ALL MISCELLANEOUS SLABS, APRONS AND DITCH LININGS SHALL BE REINFORCED WITH WELDED WIRE FABRIC AS SHOWN FOR PAVED DITCH IN STANDARD 606401.
- HEADWALL FOR BACKSLOPE OUTLET MAY BE USED FOR PIPE DRAIN DIAMETERS UP TO 10" (250 mm). SPECIAL DESIGNS WILL BE REQUIRED FOR LARGER SIZES.
- THE INSPECTION WELL LID FOR P.C.C. PIPE SHALL BE CONSTRUCTED OF 3/8" (10 mm) CAST IRON AND PROVIDED WITH A 1" (25 mm) DIAMETER HOLE IN CENTER. THE LID FOR THE OTHER PIPE MATERIALS SHALL BE A GRATE ASSEMBLY PREFABRICATED FOR AND COMPATIBLE WITH THE PIPE SYSTEM.



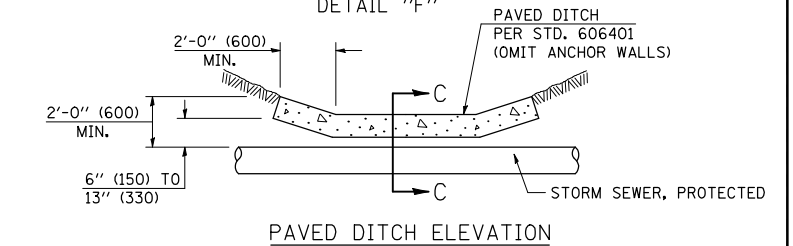
PAVED DITCH
DETAIL "E"



SLAB ELEVATION

CONCRETE SLAB
DETAIL "F"

SECTION B-B



PAVED DITCH ELEVATION

Note: All dimensions are in INCHES (millimeters) unless otherwise shown.

DISTRICT 5 DETAIL NO. 61101011A

FILE NAME =	USER NAME = keyarb	DESIGNED -	REVISED - 11/06
et:\pw\work\p\WIDOT\KEYSRB\d0101441\057052-sh-t-details.dgn		DRAWN -	REVISED -
		CHECKED -	REVISED -
		DATE -	REVISED -

STATE OF ILLINOIS
DEPARTMENT OF TRANSPORTATION

FIELD TILE SYSTEMS (TREATMENT OF EXISTING)

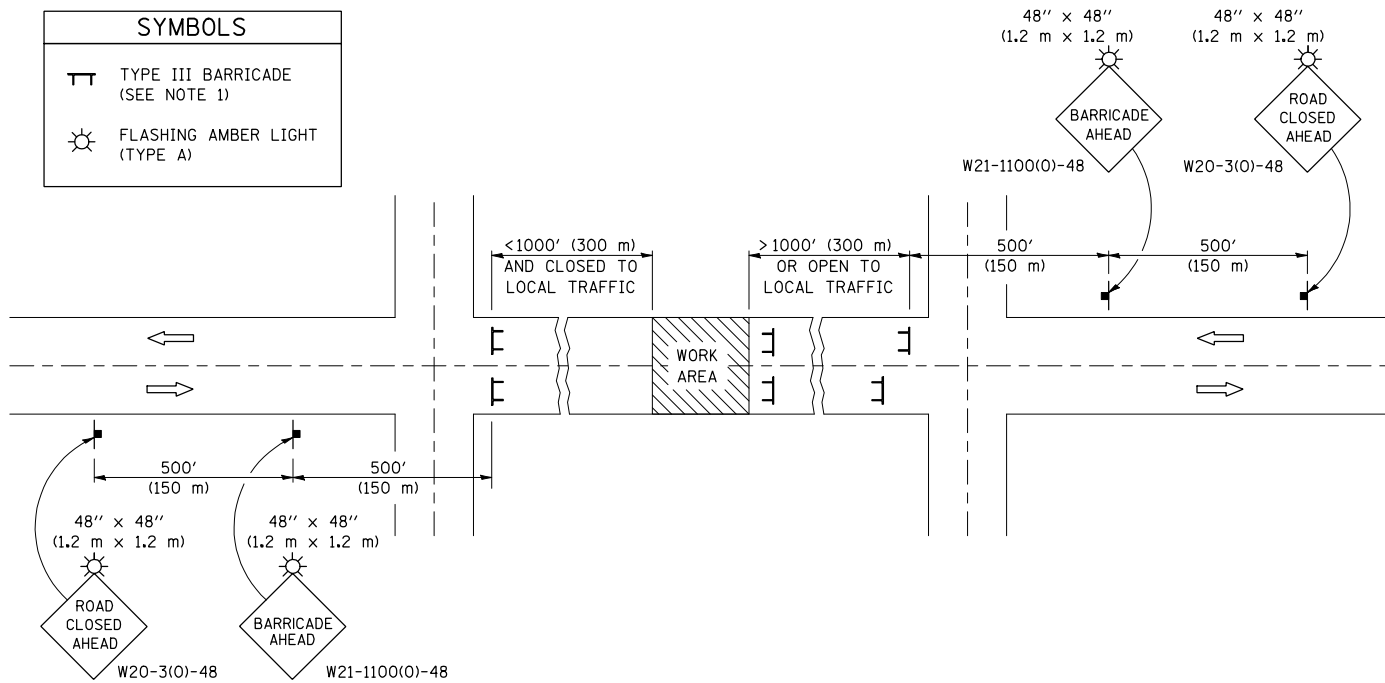
SCALE:	SHEET NO.	OF SHEETS	STA.	TO STA.
--------	-----------	-----------	------	---------

F.A.P. RTE.	SECTION	COUNTY	TOTAL SHEETS	SHEET NO.
71	121R	MCLEAN	87	41
CONTRACT NO. 70592				
FED. ROAD DIST. NO. ILLINOIS FED. AID PROJECT				

ROAD CLOSURE

SIDEROAD / STREET CLOSURE

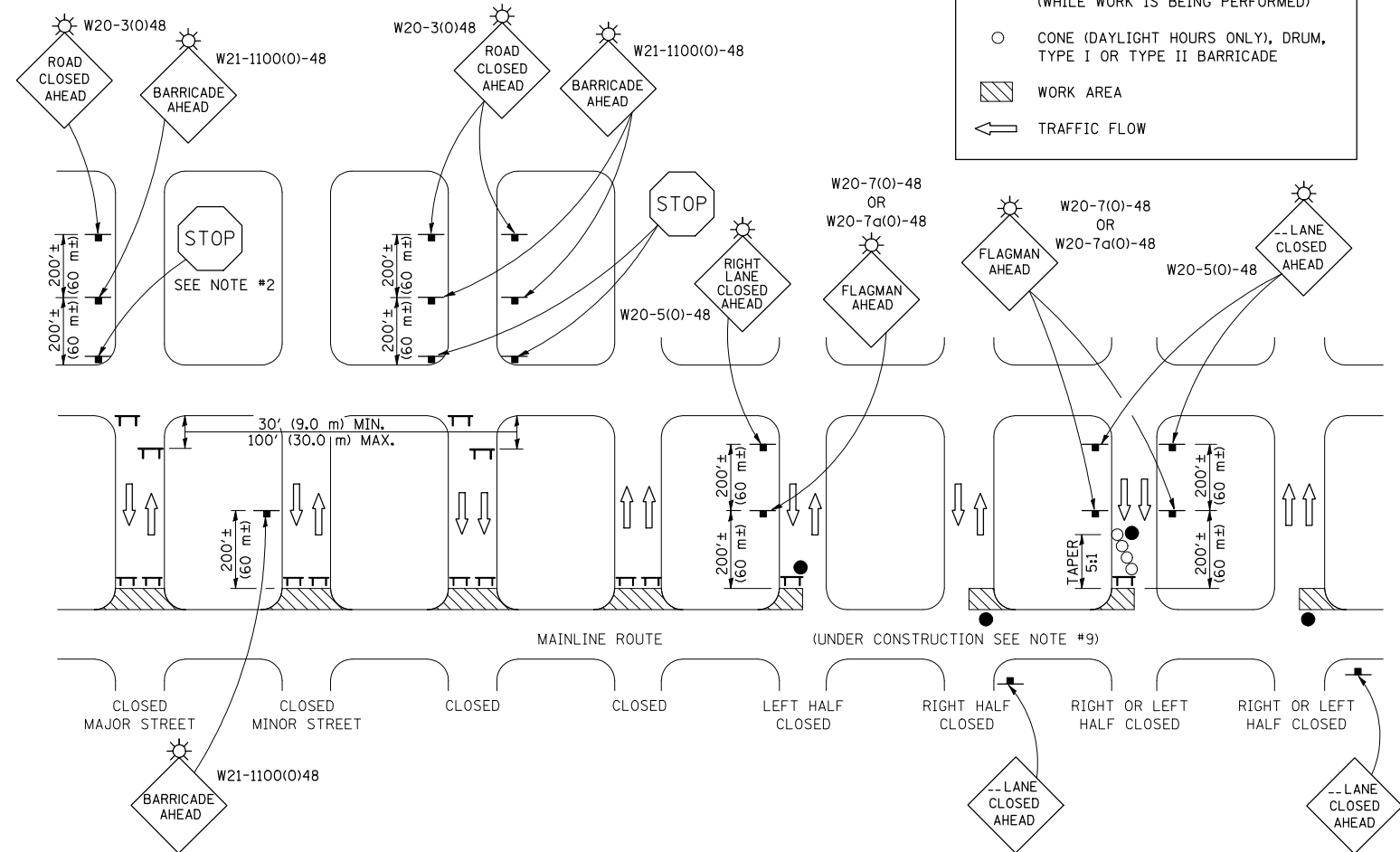
SYMBOLS	
	TYPE III BARRICADE (SEE NOTE 1)
	FLASHING AMBER LIGHT (TYPE A)



GENERAL NOTES

- TYPE III BARRICADES SHALL BE AS SHOWN ON STANDARD 701901 "TYPICAL APPLICATIONS OF TYPE III BARRICADES CLOSING A ROAD". EACH TYPE III BARRICADE SHALL HAVE TWO FLASHING AMBER LIGHTS MOUNTED ABOVE IT.
- IF THE ROAD IS OPEN TO LOCAL TRAFFIC OR EXCEEDS 1000' (300 m), ANOTHER SET OF TYPE III BARRICADES, EQUIPPED AS IN NOTE 1 ABOVE, SHALL BE PLACED AT EACH END OF THE WORK AREA.
- WHEN A STOP CONDITION EXISTS, NO SIGNS ARE REQUIRED IN ADVANCE OF THE "STOP" SIGN WHEN THE ROAD IS CLOSED WITHIN 100' (30 m) OF THE INTERSECTION.
- STANDARD 701901 SHALL APPLY FOR THE PLACEMENT & DESIGN OF TYPE III BARRICADES.
- IF A TYPE III BARRICADE WITH AN ATTACHED SIGN PANEL WHICH MEETS NCHRP 350 IS NOT AVAILABLE, THE SIGNS MAY BE MOUNTED ON AN NCHRP 350 TEMPORARY SIGN SUPPORT DIRECTLY IN FRONT OF THE BARRICADE.
- REFLECTORIZED STRIPING SHALL APPEAR ON BOTH SIDES OF THE TYPE III BARRICADES IF ROAD IS OPEN TO LOCAL TRAFFIC.
- ALL SIGNS SHALL BE POST MOUNTED IF THE CLOSURE TIME EXCEEDS FOUR DAYS.
- A MINIMUM OF TWO FLASHING LIGHTS SHALL BE USED AT NIGHT ON EACH APPROACH IN ADVANCE OF THE WORK AREA. FLASHING LIGHTS SHALL BE INSTALLED ABOVE THE FIRST TWO SIGNS IN THE SERIES.
- LONGITUDINAL DIMENSIONS MAY BE ADJUSTED SLIGHTLY TO FIT FIELD CONDITIONS.
- FORMS BT. 725 AND BT. 726 ARE REQUIRED.
- WHEN A SIDEROAD INTERSECTS THE HIGHWAY ON WHICH WORK IS BEING PERFORMED, ADDITIONAL TRAFFIC DEVICES SHALL BE ERECTED AND PROVIDED AS DIRECTED BY THE ENGINEER.
- AN ADDITIONAL SIGN MAY BE REQUIRED AT A MAJOR INTERSECTING ROAD IN ADVANCE OF THE CLOSURE. THE ADDITIONAL SIGN SHALL GIVE THE DISTANCE TO THE BARRICADE IN MILES OR FRACTIONS OF A MILE.

SYMBOLS	
	TYPE III BARRICADE (SEE NOTE)
	FLASHING LIGHT
	FLAGGER WITH TRAFFIC CONTROL SIGN (WHILE WORK IS BEING PERFORMED)
	CONE (DAYLIGHT HOURS ONLY), DRUM, TYPE I OR TYPE II BARRICADE
	WORK AREA
	TRAFFIC FLOW



GENERAL NOTES

- TYPE III BARRICADES SHALL BE AS SHOWN ON "TYPICAL APPLICATIONS OF TYPE III BARRICADES CLOSING A ROAD". EACH TYPE III BARRICADE SHALL HAVE TWO FLASHING AMBER LIGHTS MOUNTED ABOVE IT.
- WHERE A STOP CONDITION EXISTS, AS SHOWN ABOVE, WARNING SIGNS MAY BE OMITTED IN ADVANCE OF THE "STOP" SIGN.
- STANDARD 701901 SHALL APPLY FOR THE PLACEMENT & MANUFACTURE OF TYPE III BARRICADES.
- ALL SIGNS SHALL BE POST MOUNTED IF THE CLOSURE TIME EXCEEDS FOUR DAYS.
- ONE FLASHING LIGHT IS REQUIRED ABOVE EACH ADVANCE WARNING SIGN DURING HOURS OF DARKNESS.
- LONGITUDINAL DIMENSIONS MAY BE ADJUSTED SLIGHTLY TO FIT FIELD CONDITIONS.
- FORMS BT 725 AND BT 726 ARE REQUIRED.
- THE MAINLINE ROUTE TEMPORARY TRAFFIC CONTROL SHALL BE IN ACCORDANCE WITH THE PLANS, SPECIAL PROVISIONS AND STANDARD SPECIFICATIONS.
- THIS WORK WILL NOT BE PAID FOR SEPARATELY BUT SHALL BE CONSIDERED INCLUDED IN THE VARIOUS PAY ITEMS INVOLVING THE RECONSTRUCTION OF ALL APPLICABLE SIDE STREETS AND NO ADDITIONAL COMPENSATION WILL BE ALLOWED.

Note: All dimensions are in INCHES (millimeters) unless otherwise shown.

FILE NAME =	USER NAME = keyarb	DESIGNED -	REVISED - 11/06
ct:\pw\work\PWIDOT\KEYSRB\d010144\1\057052-sh-t-details.dgn		DRAWN -	REVISED - 12/07
	PLOT SCALE = 40.0000 ' / IN.	CHECKED -	REVISED -
	PLOT DATE = 10/16/2009	DATE -	REVISED -

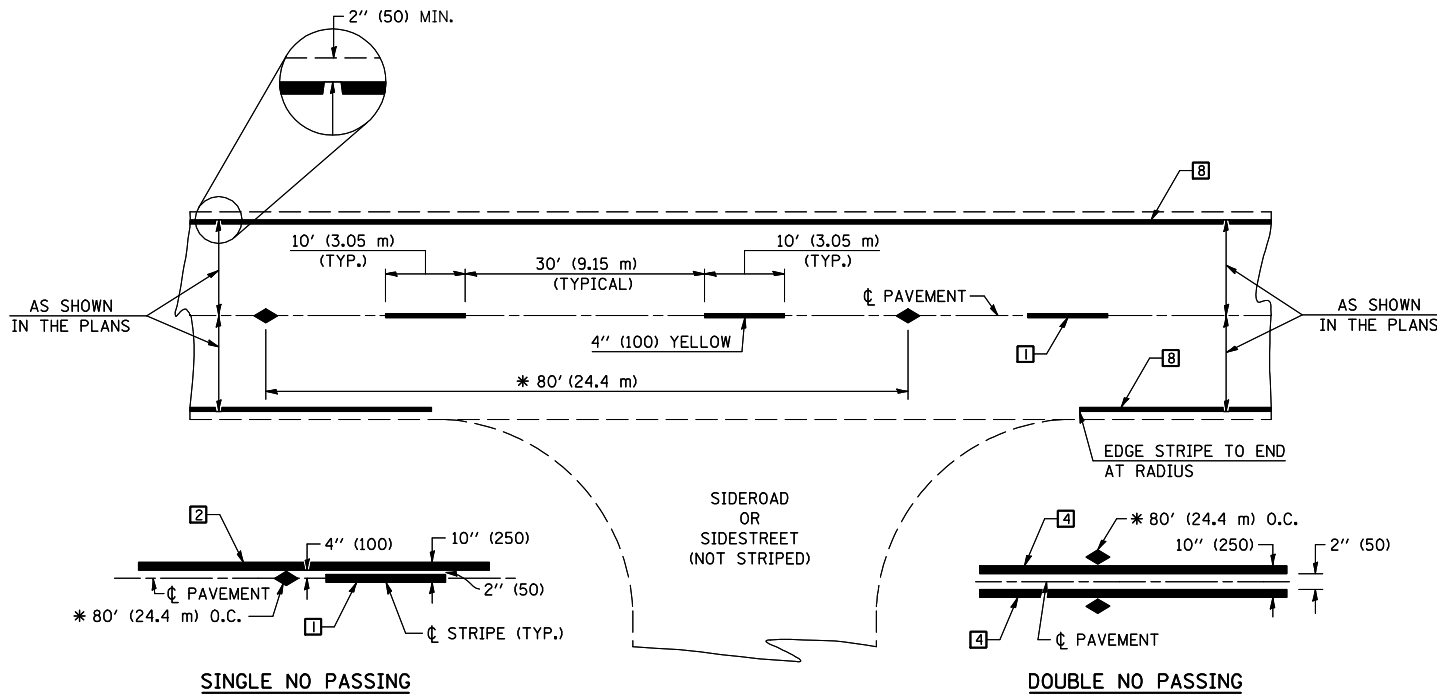
STATE OF ILLINOIS
DEPARTMENT OF TRANSPORTATION

TRAFFIC CONTROL & PROTECTION DEVICES
(ROAD & SIDEROAD/STREET CLOSURES)

SCALE: SHEET NO. OF SHEETS STA. TO STA.

DISTRICT 5 DETAIL NO. 7020000

F.A.P. RTE.	SECTION	COUNTY	TOTAL SHEETS	SHEET NO.
71	121R	MCLEAN	87	42
CONTRACT NO. 70592				
FED. ROAD DIST. NO. ILLINOIS FED. AID PROJECT				

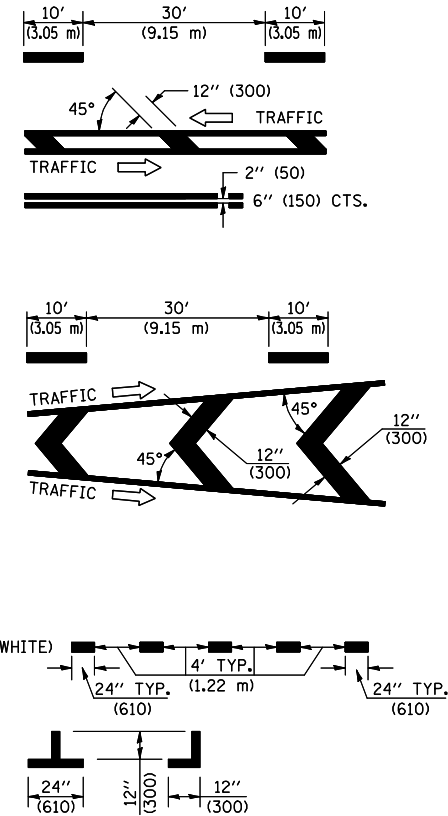


* REDUCE TO 40' (12.2 m) O.C. ON CURVES WITH POSTED OR ADVISORY SPEEDS OF 45 mph (70 km/h) OR LESS.

TWO LANE/TWO WAY

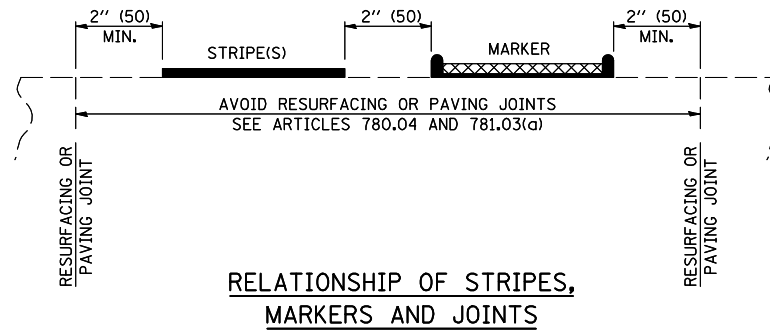
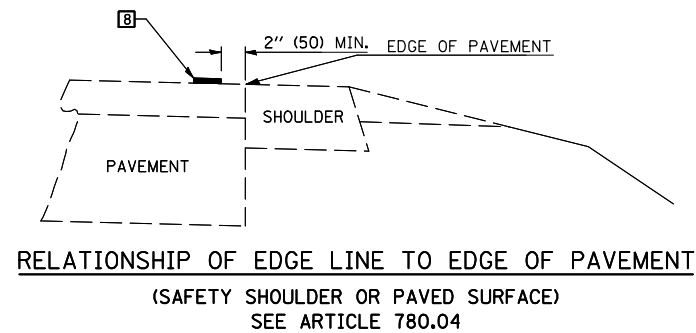
TYPICAL PAVEMENT MARKING LEGEND

- 1 4" (100) SKIP-DASH (YELLOW)
- 2 4" (100) SOLID (YELLOW)
- 3 12" (300) DIAGONAL (YELLOW)
- 4 4" (100) DOUBLE YELLOW (NARROW)
- 5 RESERVED
- 6 RESERVED
- 7 4" (100) SKIP-DASH (WHITE)
- 8 4" (100) SOLID (WHITE)
- 9 12" (300) DIAGONAL (WHITE)
- 10 6" (150) SOLID (WHITE)
- 11 24" (600) STOP BAR (WHITE)
- 12 8" (200) SOLID (WHITE)
- 13 4" (100) LANE LINE EXTENSIONS (WHITE)
- 14 4" (100) PARKING WHITE



TYPICAL PAVEMENT MARKERS LEGEND

- ◆ TWO-WAY AMBER MARKER
- ▶ ONE-WAY AMBER MARKER
- ▷ ONE-WAY CRYSTAL MARKER



GENERAL NOTES

- 1. FINAL PAVEMENT MARKINGS SHALL BE IN PLACE PRIOR TO PLACING ANY RAISED REFLECTIVE PAVEMENT MARKERS.

Note: All dimensions are in INCHES (millimeters) unless otherwise shown.

FILE NAME =	USER NAME = keyarb	DESIGNED -	REVISED -
ct:\pw\work\PWIDOT\KEYSRB\0010144\10570522-sht-details.dgn	22-sht-details.dgn	DRAWN -	REVISED -
	PLOT SCALE = 40.0000' / IN.	CHECKED -	REVISED -
	PLOT DATE = 10/16/2009	DATE -	REVISED -

**STATE OF ILLINOIS
DEPARTMENT OF TRANSPORTATION**

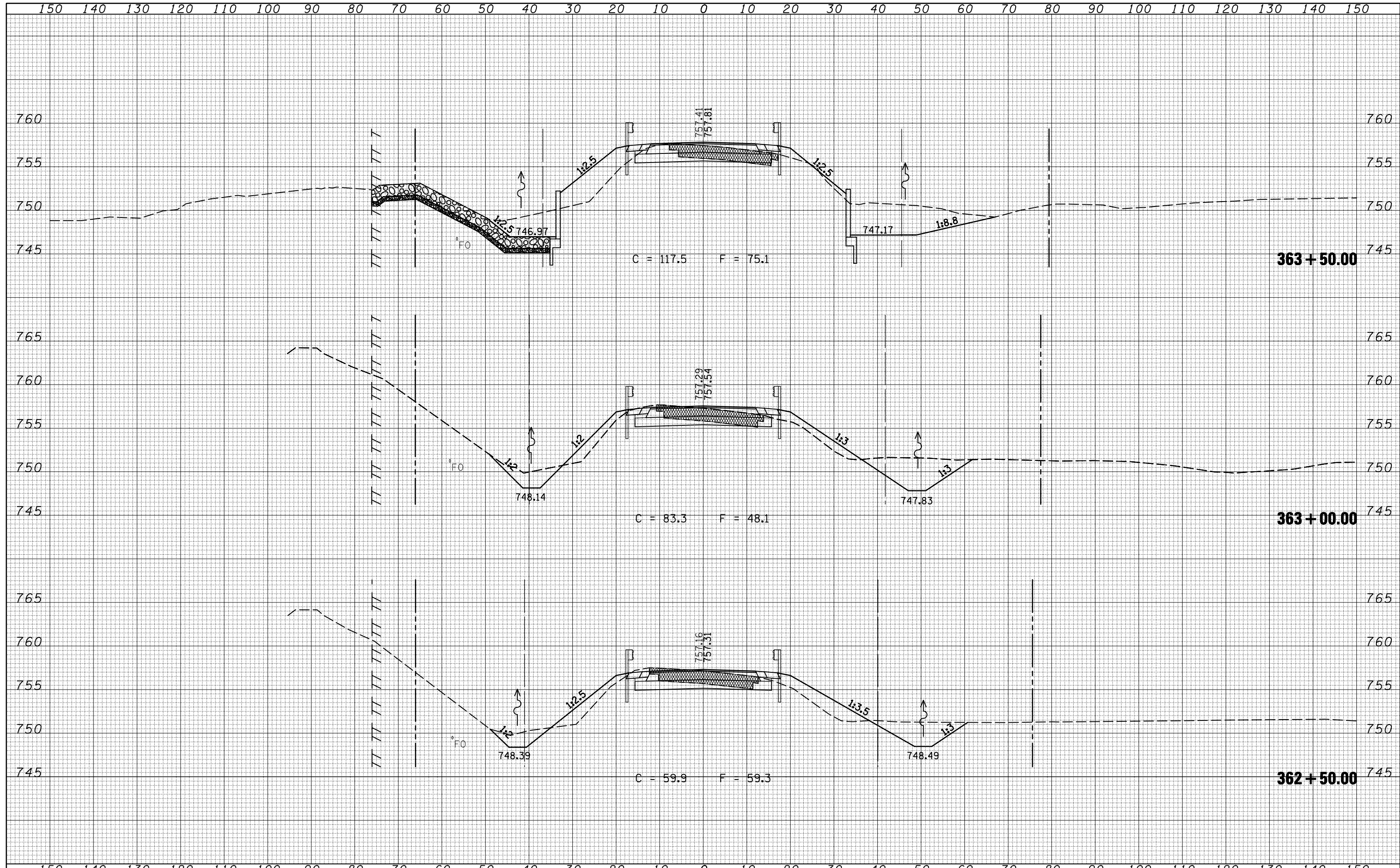
**PAVEMENT MARKING AND MARKERS
(RURAL APPLICATION)**

SCALE: SHEET NO. 1 OF 1 SHEETS STA. TO STA.

F.A.P. RTE.	SECTION	COUNTY	TOTAL SHEETS	SHEET NO.
71	121R	MCLEAN	87	43
CONTRACT NO. 70592				
FED. ROAD DIST. NO. ILLINOIS FED. AID PROJECT				

DATE	
BY	
SURVEYED	
PLOTTED	
TEMPLATE	
AREAS	
CHECKED	
FINAL SURVEY	
NOTE BOOK	
NO.	

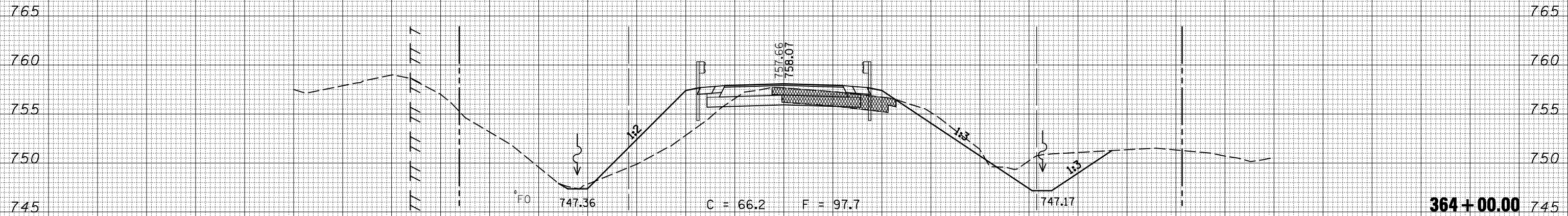
DATE	
BY	
SURVEYED	
PLOTTED	
TEMPLATE	
AREAS	
CHECKED	
ORIGINAL SURVEY	
NOTE BOOK	
NO.	



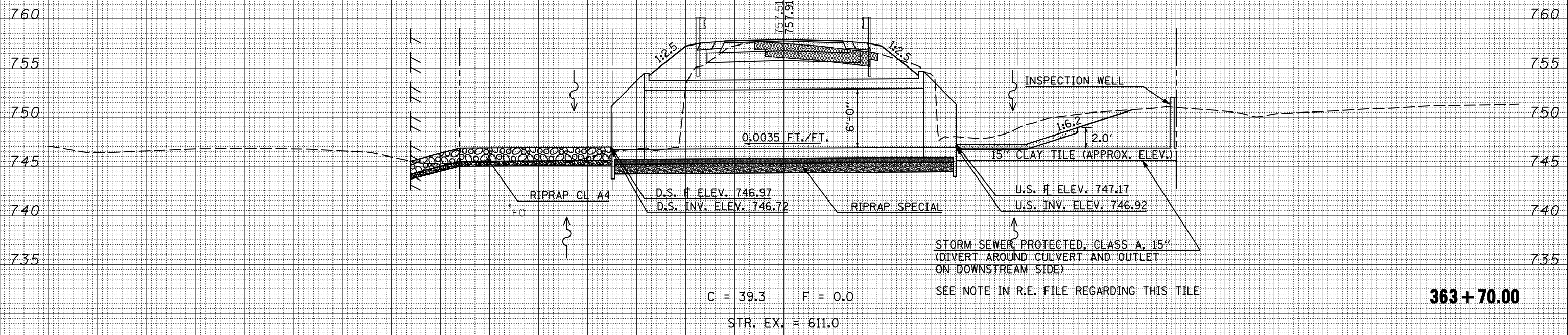
FILE NAME =	USER NAME = keyarb	DESIGNED -	REVISED -	STATE OF ILLINOIS DEPARTMENT OF TRANSPORTATION	CROSS SECTIONS			F.A.P. RTE.	SECTION	COUNTY	TOTAL SHEETS	SHEET NO.
ca:\pw\work\PWIDOT\KEYSRB\d0101441\0570592-shht.dgn		DRAWN -	REVISED -		71	121R	MCLEAN	87	47			
PLOT SCALE = 20.0000' / IN.		CHECKED -	REVISED -		SCALE:			CONTRACT NO. 70592				
PLOT DATE = 10/16/2009		DATE -	REVISED -		SHEET NO. OF SHEETS STA. 362+50.00 TO STA. 363+50.00			ILLINOIS FED. AID PROJECT				

150 140 130 120 110 100 90 80 70 60 50 40 30 20 10 0 10 20 30 40 50 60 70 80 90 100 110 120 130 140 150

DATE	
BY	
SURVEYED	
PLOTTED	
TEMPLATE	
AREAS	
CHECKED	
FINL SURVEY	
NOTE BOOK	
NO.	



DATE	
BY	
SURVEYED	
PLOTTED	
TEMPLATE	
AREAS	
CHECKED	
ORIGINAL SURVEY	
NOTE BOOK	
NO.	



150 140 130 120 110 100 90 80 70 60 50 40 30 20 10 0 10 20 30 40 50 60 70 80 90 100 110 120 130 140 150

FILE NAME =
 c:\pwwork\pwwidot\KEYSRB\d0101441\0570592-shht.dgn

USER NAME = keyarb
 DESIGNED -
 DRAWN -
 CHECKED -
 DATE -

REVISIED -
 REVISIED -
 REVISIED -
 REVISIED -

STATE OF ILLINOIS
 DEPARTMENT OF TRANSPORTATION

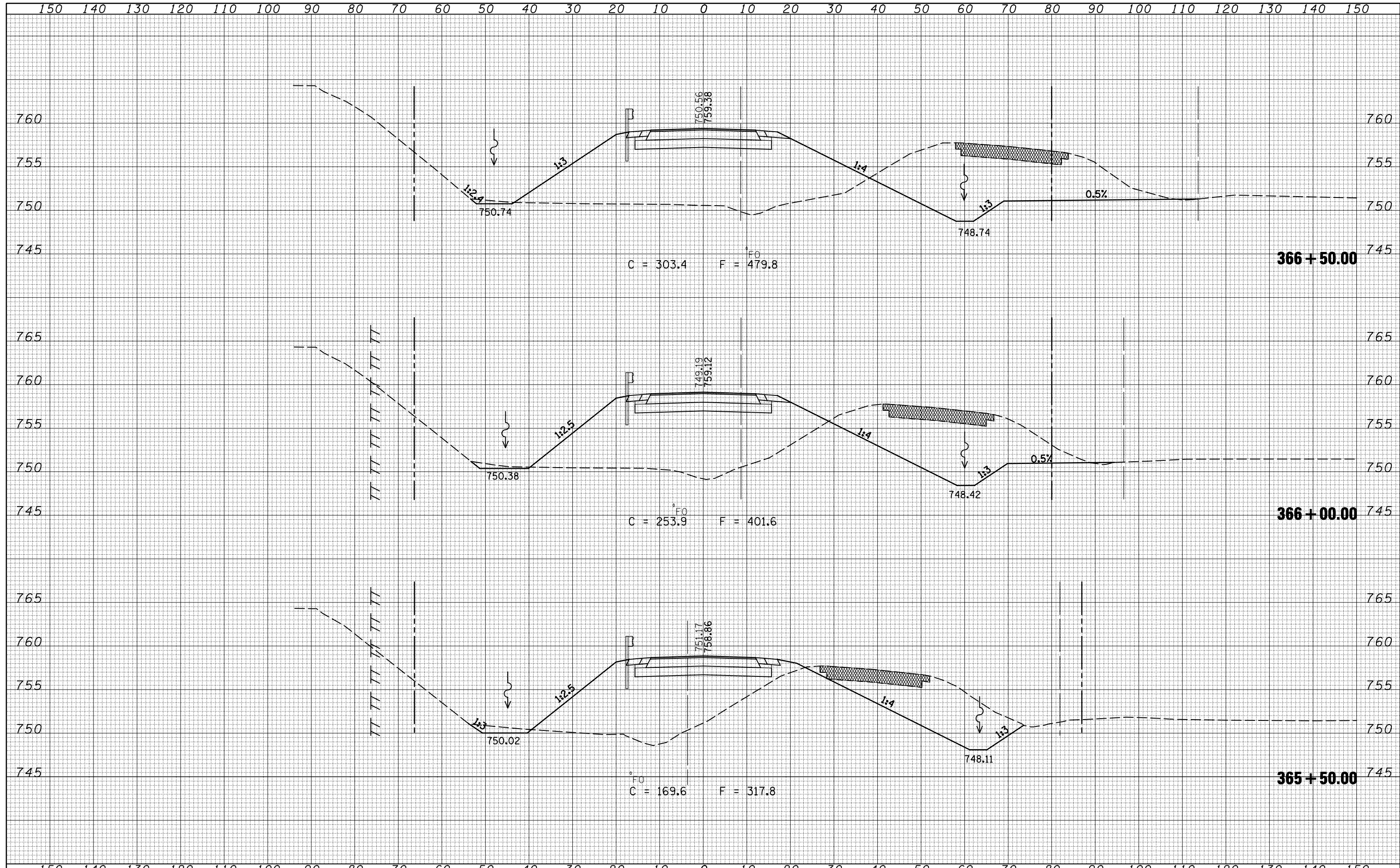
CROSS SECTIONS
 IL 54

SCALE: SHEET NO. OF SHEETS STA. 363+70.00 TO STA. 364+00.00

F.A.P. RTE.	SECTION	COUNTY	TOTAL SHEETS	SHEET NO.
71	121R	MCLEAN	87	48
CONTRACT NO. 70592			ILLINOIS FED. AID PROJECT	

DATE	
BY	
SURVEYED	
PLOTTED	
TEMPLATE	
AREAS	
CHECKED	
FINAL SURVEY	
NOTE BOOK	
NO.	

DATE	
BY	
SURVEYED	
PLOTTED	
TEMPLATE	
AREAS	
CHECKED	
ORIGINAL SURVEY	
NOTE BOOK	
NO.	

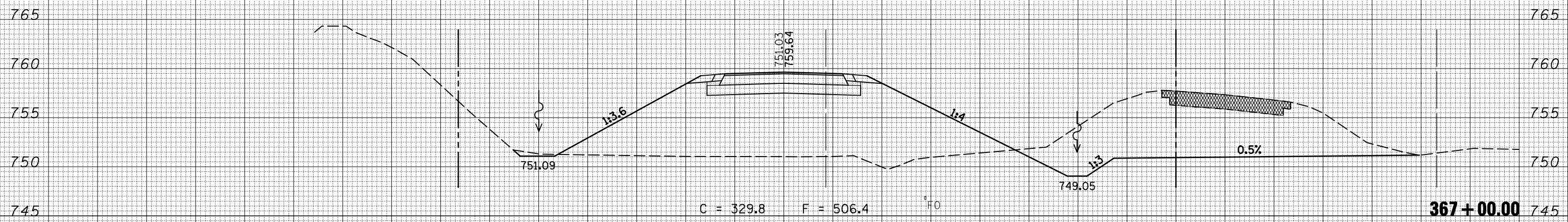


FILE NAME =	USER NAME = keyarb	DESIGNED -	REVISED -	STATE OF ILLINOIS DEPARTMENT OF TRANSPORTATION	CROSS SECTIONS IL 54			F.A.P. RTE.	SECTION	COUNTY	TOTAL SHEETS	SHEET NO.
ca:\pwork\pwork\KEYSRB\d0101441\0570592-shht.dgn		DRAWN -	REVISED -					71	121R	MCLEAN	87	50
PLOT SCALE = 20.0000' / IN.		CHECKED -	REVISED -		CONTRACT NO. 70592							
PLOT DATE = 10/16/2009		DATE -	REVISED -		ILLINOIS FED. AID PROJECT							
				SCALE:	SHEET NO.	OF	SHEETS	STA. 365+50.00	TO STA. 366+50.00			

150 140 130 120 110 100 90 80 70 60 50 40 30 20 10 0 10 20 30 40 50 60 70 80 90 100 110 120 130 140 150

DATE	
BY	
SURVEYED	
PLOTTED	
TEMPLATE	
AREAS	
CHECKED	
FINAL SURVEY	
NOTE BOOK	
NO.	

DATE	
BY	
SURVEYED	
PLOTTED	
TEMPLATE	
AREAS	
CHECKED	
ORIGINAL SURVEY	
NOTE BOOK	
NO.	



150 140 130 120 110 100 90 80 70 60 50 40 30 20 10 0 10 20 30 40 50 60 70 80 90 100 110 120 130 140 150

FILE NAME =
c:\pwwork\pwwidot\KEYSRB\d0101441\0570592-shht.dgn

USER NAME = keyarb
DESIGNED -
DRAWN -
PLOT SCALE = 20.0000' / IN.
PLOT DATE = 10/16/2009

DESIGNED -
DRAWN -
CHECKED -
DATE -

REVISED -
REVISED -
REVISED -
REVISED -

**STATE OF ILLINOIS
DEPARTMENT OF TRANSPORTATION**

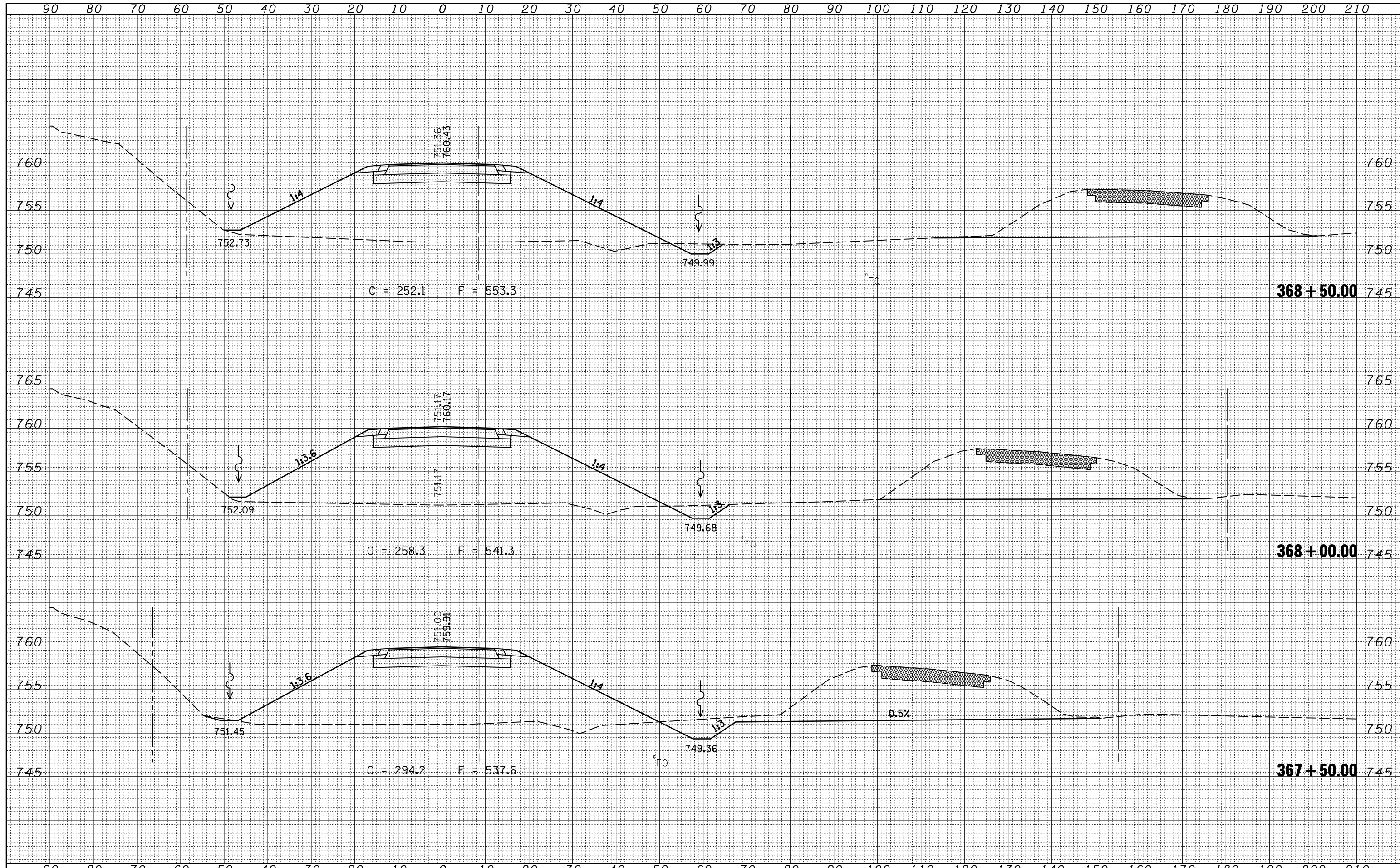
**CROSS SECTIONS
IL 54**

SCALE: SHEET NO. OF SHEETS STA. 367+00.00 TO STA. 367+00.00

F.A.P. RTE.	SECTION	COUNTY	TOTAL SHEETS	SHEET NO.
71	121R	MCLEAN	87	51
CONTRACT NO. 70592			ILLINOIS FED. AID PROJECT	

DATE	
BY	
SURVEYED	
PLOTTED	
TEMPLATE	
AREAS	
CHECKED	
FINAL SURVEY	
NOTE BOOK	
NO.	

DATE	
BY	
SURVEYED	
PLOTTED	
TEMPLATE	
AREAS	
CHECKED	
ORIGINAL SURVEY	
NOTE BOOK	
NO.	



FILE NAME =
 c:\pwwork\pwwork\KEYSRB\d0101441\0570592-sh1-ssht.dgn

USER NAME = keyarb	DESIGNED -	REVISED -
	DRAWN -	REVISED -
PLOT SCALE = 20.0000' / IN.	CHECKED -	REVISED -
PLOT DATE = 10/16/2009	DATE -	REVISED -

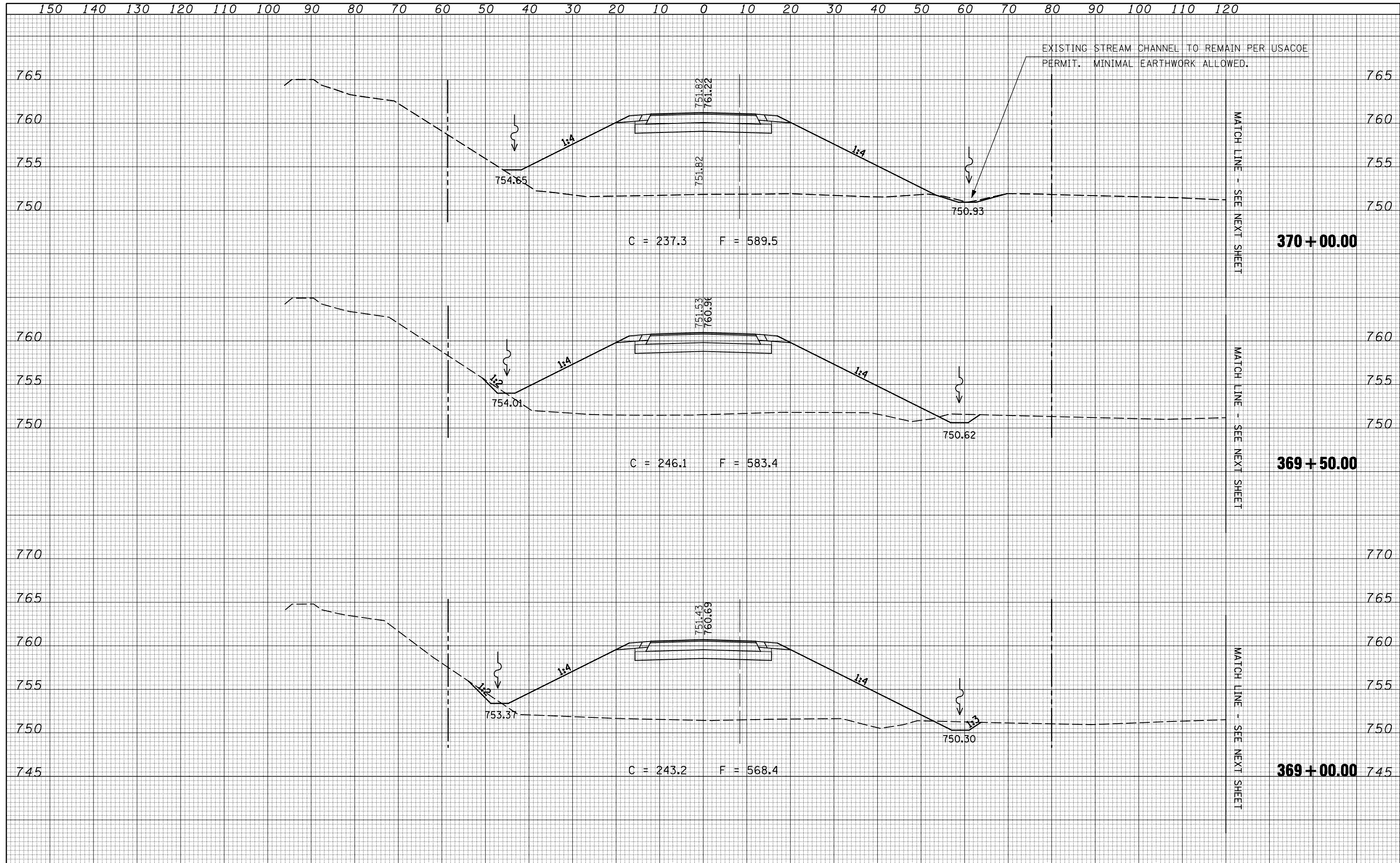
**STATE OF ILLINOIS
 DEPARTMENT OF TRANSPORTATION**

CROSS SECTIONS IL 54			
SCALE:	SHEET NO.	OF SHEETS	STA. 367+50.00 TO STA. 368+50.00

F.A.P. RTE.	SECTION	COUNTY	TOTAL SHEETS	SHEET NO.
71	121R	MCLEAN	87	52
CONTRACT NO. 70592			ILLINOIS FED. AID PROJECT	

DATE	
BY	
SURVEYED	
PLOTTED	
TEMPLATE	
AREAS	
CHECKED	
FINAL SURVEY	
NOTE BOOK	
NO.	

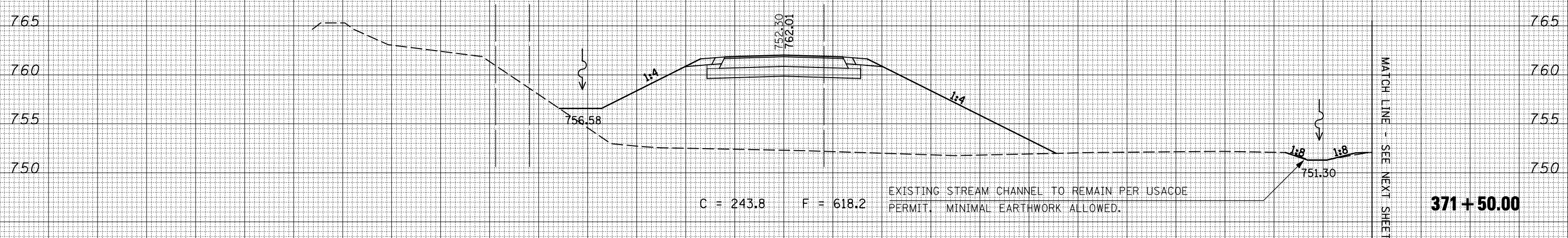
DATE	
BY	
SURVEYED	
PLOTTED	
TEMPLATE	
AREAS	
CHECKED	
ORIGINAL SURVEY	
NOTE BOOK	
NO.	



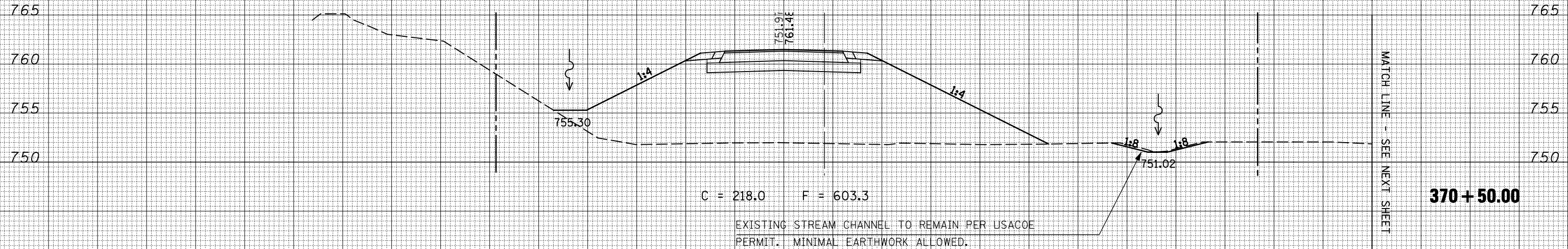
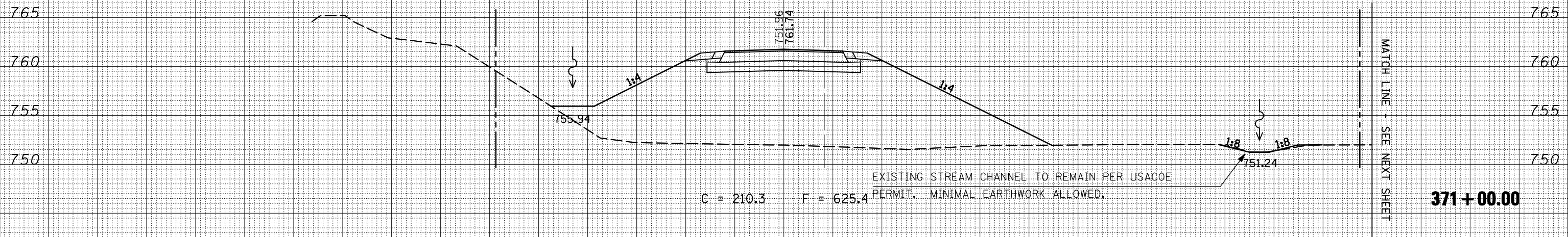
FILE NAME =	USER NAME = keyarb	DESIGNED -	REVISED -	STATE OF ILLINOIS DEPARTMENT OF TRANSPORTATION	CROSS SECTIONS IL 54	F.A.P. RTE.	SECTION	COUNTY	TOTAL SHEETS	SHEET NO.
ca:\pw\work\PWIDOT\KEYSRB\d0101441\0570592-shht-dgn		DRAWN -	REVISED -			71	121R	MCLEAN	87	53
PLOT SCALE = 20.0000' / IN.		CHECKED -	REVISED -			CONTRACT NO. 70592		ILLINOIS FED. AID PROJECT		
PLOT DATE = 10/16/2009		DATE -	REVISED -			SCALE:	SHEET NO.	OF	SHEETS	STA. 369+00.00 TO STA. 370+00.00

150 140 130 120 110 100 90 80 70 60 50 40 30 20 10 0 10 20 30 40 50 60 70 80 90 100 110 120

DATE	
BY	
SURVEYED	
PLOTTED	
TEMPLATE	
AREAS CHECKED	
FINAL SURVEY NO.	
NOTE BOOK NO.	
AREAS CHECKED	



DATE	
BY	
SURVEYED	
PLOTTED	
TEMPLATE	
AREAS CHECKED	
ORIGINAL SURVEY NO.	
NOTE BOOK NO.	
AREAS CHECKED	



150 140 130 120 110 100 90 80 70 60 50 40 30 20 10 0 10 20 30 40 50 60 70 80 90 100 110 120

FILE NAME = c:\pwwork\pwwidot\KEYSRB\d0101441\0570592-sh1-ssht.dgn

USER NAME = keyarb	DESIGNED -	REVISD -
	DRAWN -	REVISD -
PLOT SCALE = 20.0000' / IN.	CHECKED -	REVISD -
PLOT DATE = 10/16/2009	DATE -	REVISD -

**STATE OF ILLINOIS
DEPARTMENT OF TRANSPORTATION**

**CROSS SECTIONS
IL 54**

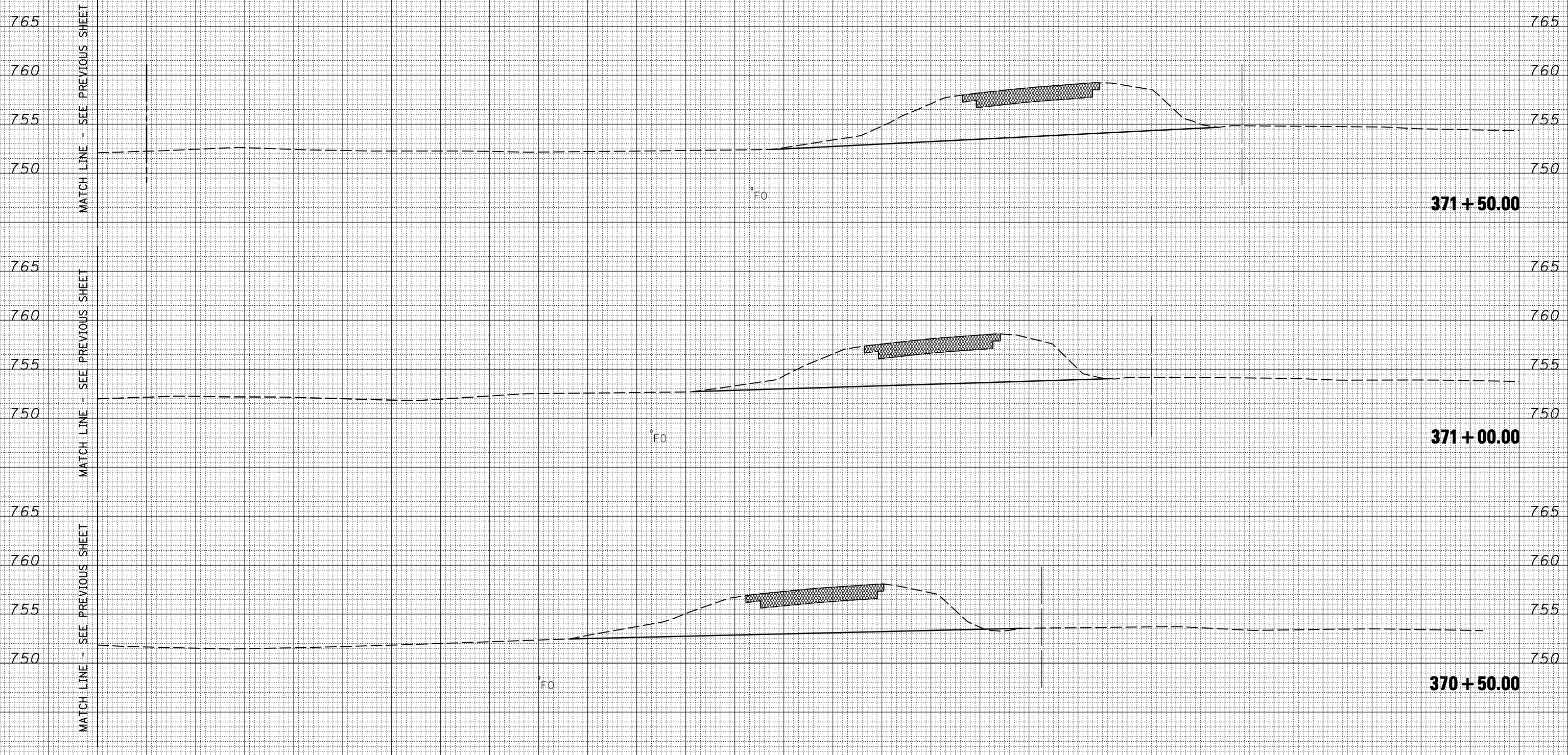
SCALE: SHEET NO. OF SHEETS STA. 370+50.00 TO STA. 371+50.00

F.A.P. RTE. 71	SECTION 121R	COUNTY MCLEAN	TOTAL SHEETS 87	SHEET NO. 55
ILLINOIS FED. AID PROJECT			CONTRACT NO. 70592	

120 130 140 150 160 170 180 190 200 210 220 230 240 250 260 270 280 290 300 310 320 330 340 350 360 370 380 390 400 410

BY	DATE
FINAL SURVEY	SURVEYED
NOTE BOOK	PLOTTED
NO.	TEMPLATE
	AREAS
	CHECKED

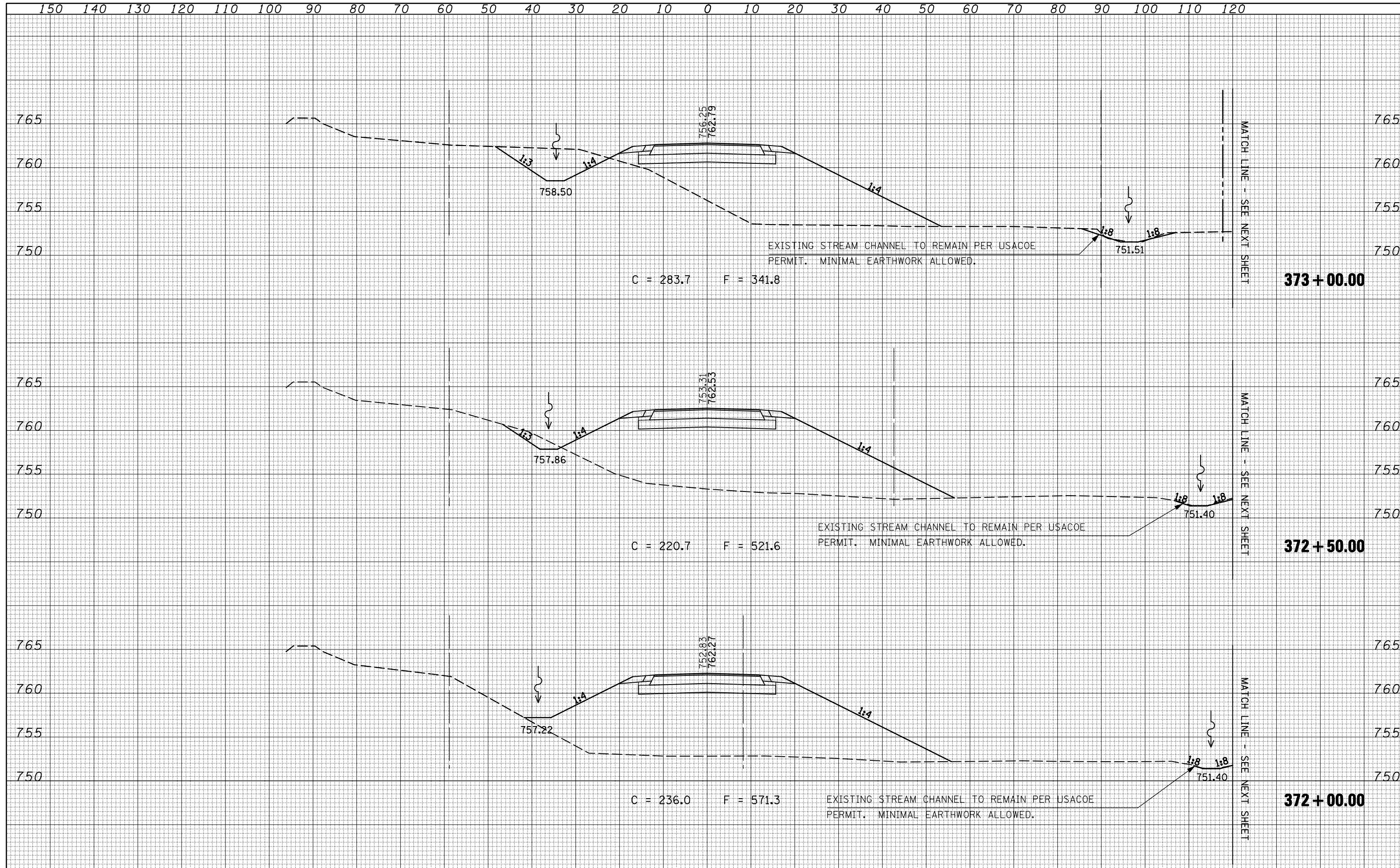
BY	DATE
ORIGINAL SURVEY	SURVEYED
NOTE BOOK	PLOTTED
NO.	TEMPLATE
	AREAS
	CHECKED



FILE NAME =	USER NAME = keyarb	DESIGNED -	REVISED -	STATE OF ILLINOIS DEPARTMENT OF TRANSPORTATION	CROSS SECTIONS IL 54			F.A.P. RTE.	SECTION	COUNTY	TOTAL SHEETS	SHEET NO.
ca:\pw\work\PWIDOT\KEYSRB\d0101441\0570592-shht-dgn		DRAWN -	REVISED -					71	121R	MCLEAN	87	56
PLOT SCALE = 20.0000' / IN.		CHECKED -	REVISED -					CONTRACT NO. 70592				
PLOT DATE = 10/16/2009		DATE -	REVISED -					ILLINOIS FED. AID PROJECT				
SCALE:				SHEET NO. OF SHEETS		STA. 370+50.00 TO STA. 371+50.00						

DATE	
BY	
SURVEYED	
PLOTTED	
TEMPLATE	
AREAS	
CHECKED	
FINAL	
SURVEY	
NOTE BOOK	
NO.	

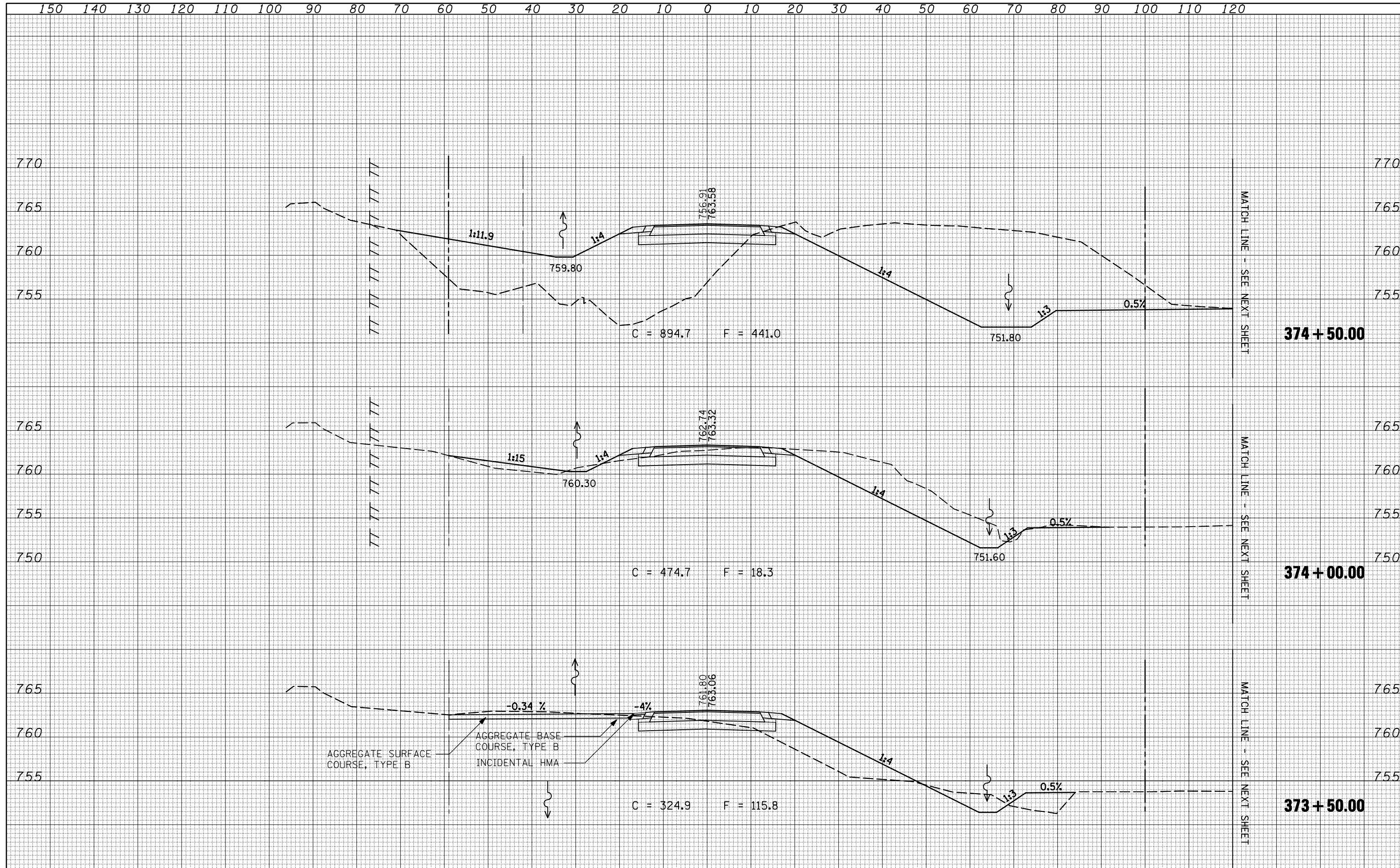
DATE	
BY	
SURVEYED	
PLOTTED	
TEMPLATE	
AREAS	
CHECKED	
ORIGINAL	
SURVEY	
NOTE BOOK	
NO.	



FILE NAME =	USER NAME = keyarb	DESIGNED -	REVISED -	STATE OF ILLINOIS DEPARTMENT OF TRANSPORTATION	CROSS SECTIONS IL 54			F.A.P. RTE.	SECTION	COUNTY	TOTAL SHEETS	SHEET NO.
ca:\pw\work\PWIDOT\KEYSRB\d0101441\0570592-shht.dgn	DRAWN -	REVISED -	71					121R	MCLEAN	87	57	
PLOT SCALE = 20.0000' / IN.	CHECKED -	REVISED -	CONTRACT NO. 70592									
PLOT DATE = 10/16/2009	DATE -	REVISED -	ILLINOIS FED. AID PROJECT									
					SCALE:	SHEET NO.	OF SHEETS	STA. 372+00.00 TO STA. 373+00.00				

DATE	
BY	
FINISHED SURVEY	
PLOTTED TEMPLATE	
NOTE BOOK	
AREAS CHECKED	
NO.	

DATE	
BY	
ORIGINAL SURVEY	
PLOTTED TEMPLATE	
NOTE BOOK	
AREAS CHECKED	
NO.	

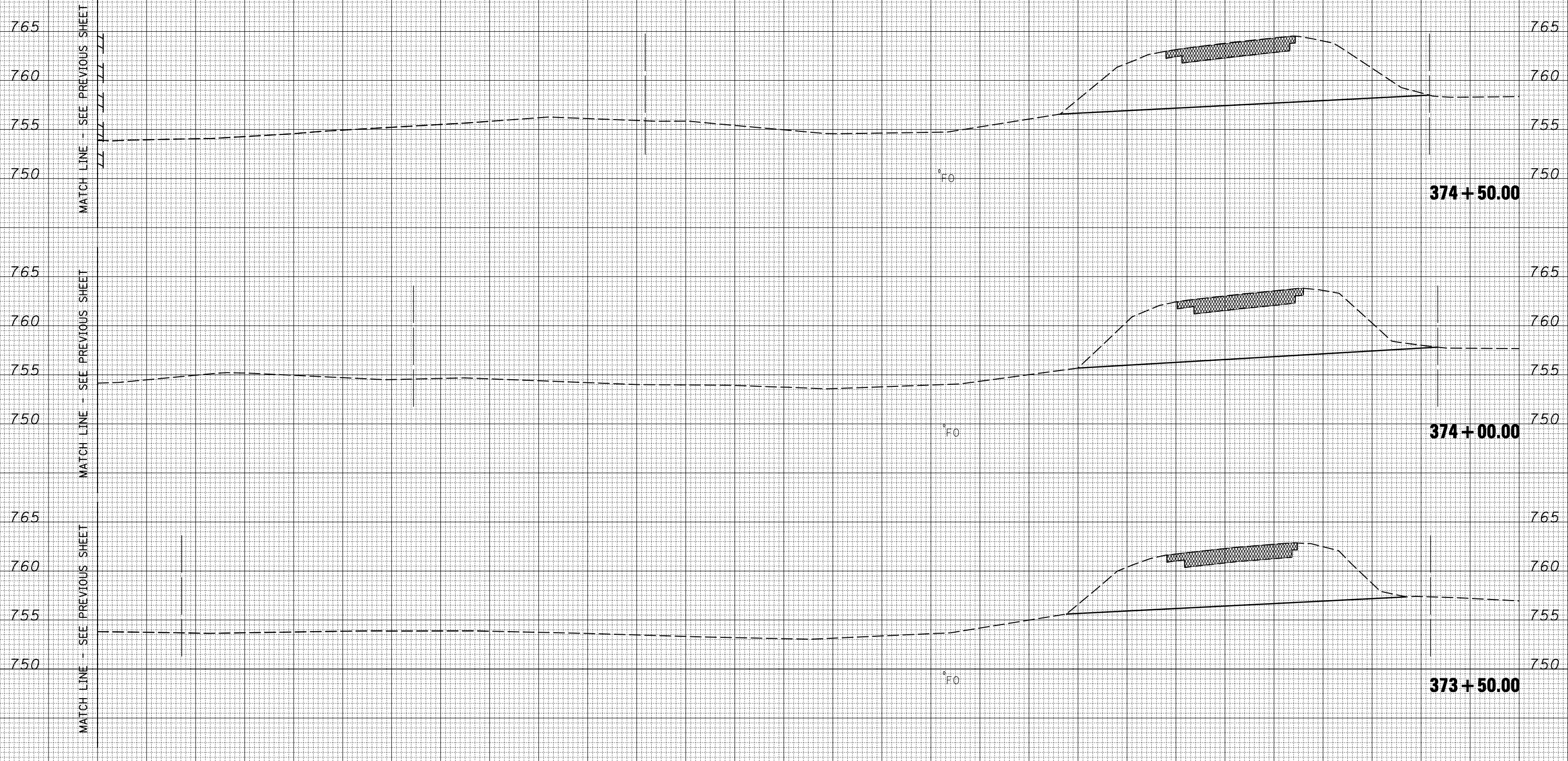


FILE NAME =	USER NAME = keyarb	DESIGNED -	REVISED -	STATE OF ILLINOIS DEPARTMENT OF TRANSPORTATION	CROSS SECTIONS IL 54			F.A.P. RTE.	SECTION	COUNTY	TOTAL SHEETS	SHEET NO.	
ca:\pw\work\PWIDOT\KEYSRB\d0101441\0570592-shht.dgn		DRAWN -	REVISED -					71	121R	MCLEAN	87	59	
PLOT SCALE = 20.0000' / IN.		CHECKED -	REVISED -		SCALE:			SHEET NO. OF SHEETS		STA. 373+50.00 TO STA. 374+50.00		CONTRACT NO.	70592
PLOT DATE = 10/16/2009		DATE -	REVISED -		ILLINOIS FED. AID PROJECT								

120 130 140 150 160 170 180 190 200 210 220 230 240 250 260 270 280 290 300 310 320 330 340 350 360 370 380 390 400 410

BY	DATE
FINAL SURVEY	SURVEYED
NOTE BOOK	PLOTTED
NO.	TEMPLATE
	AREAS
	CHECKED

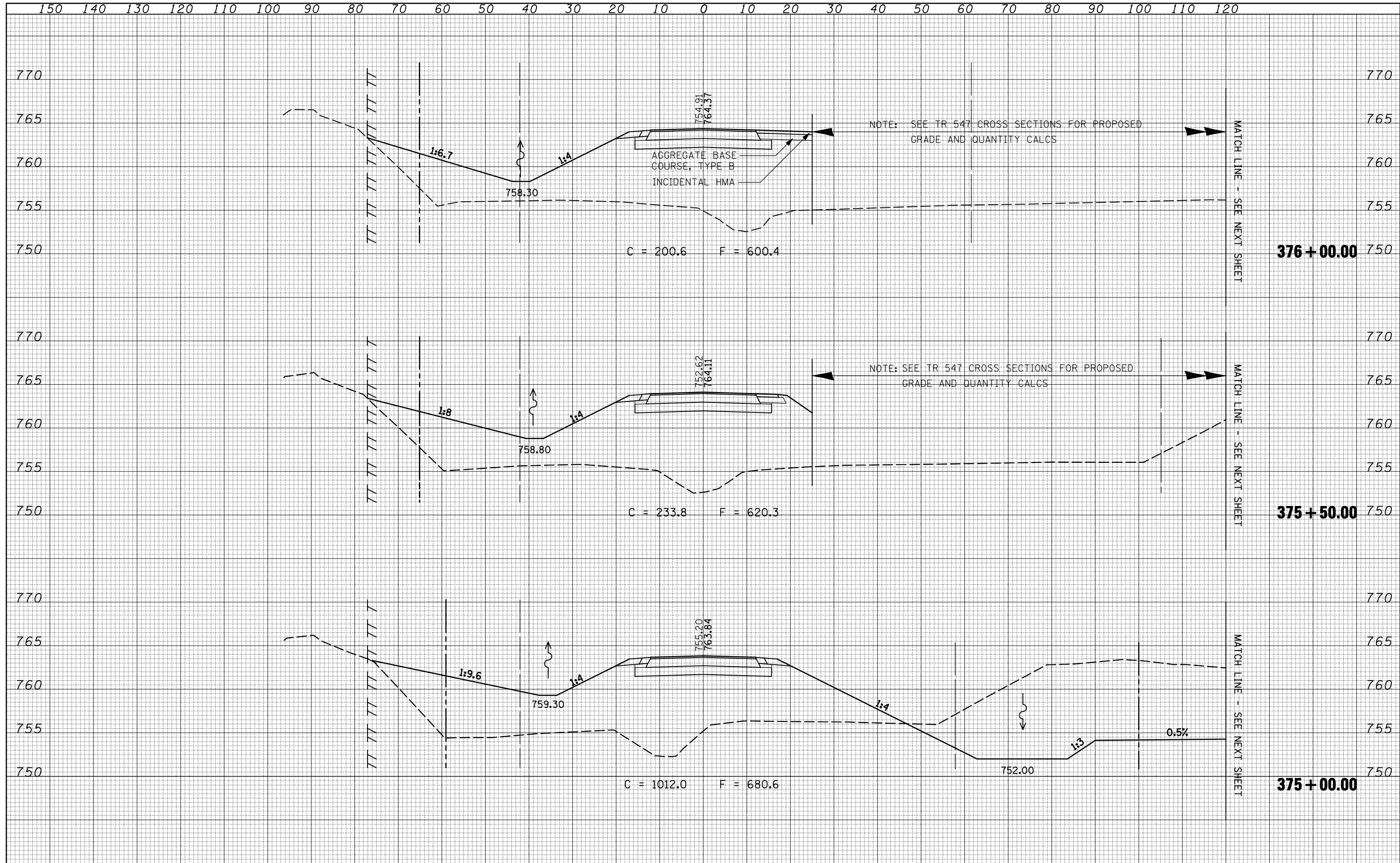
BY	DATE
ORIGINAL SURVEY	SURVEYED
NOTE BOOK	PLOTTED
NO.	TEMPLATE
	AREAS
	CHECKED



FILE NAME =	USER NAME = keyarb	DESIGNED -	REVISED -	STATE OF ILLINOIS DEPARTMENT OF TRANSPORTATION	CROSS SECTIONS IL 54			F.A.P. RTE.	SECTION	COUNTY	TOTAL SHEETS	SHEET NO.
ca:\pw\work\PWIDOT\KEYSRB\d0101441\0570592-shht-dgn	DRAWN -	REVISED -	71					121R	MCLEAN	87	60	
PLOT SCALE = 20.0000' / IN.	CHECKED -	REVISED -	CONTRACT NO. 70592									
PLOT DATE = 10/16/2009	DATE -	REVISED -	SCALE:		SHEET NO.	OF SHEETS	STA. 373+50.00 TO STA. 374+50.00	ILLINOIS FED. AID PROJECT				

DATE	
BY	
SURVEYED	
PLOTTED	
TEMPLATE	
AREAS	
CHECKED	
FINAL SURVEY	
NOTE BOOK	
NO.	

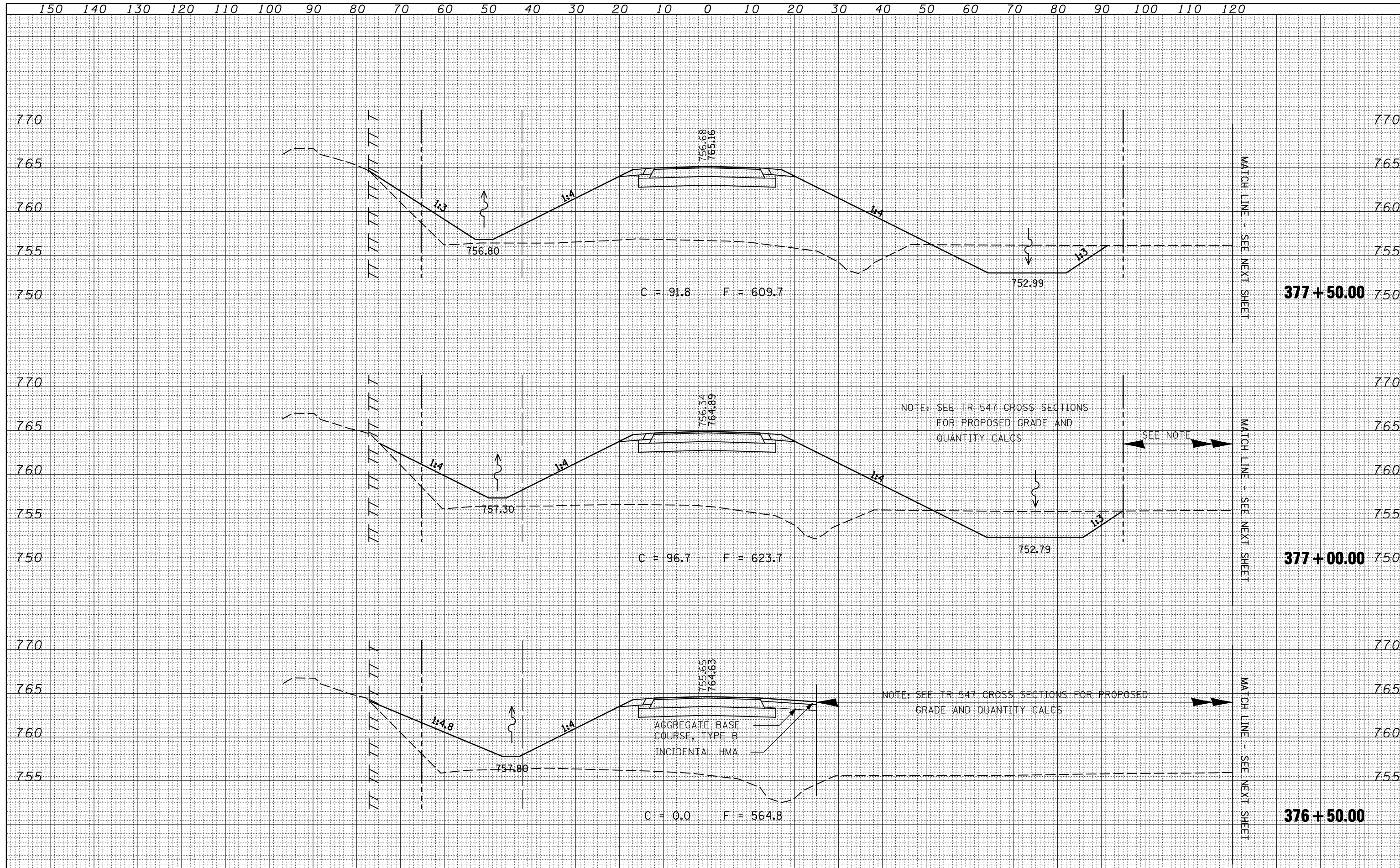
DATE	
BY	
SURVEYED	
PLOTTED	
TEMPLATE	
AREAS	
CHECKED	
ORIGINAL SURVEY	
NOTE BOOK	
NO.	



FILE NAME =	USER NAME = keyarb	DESIGNED -	REVISED -	STATE OF ILLINOIS DEPARTMENT OF TRANSPORTATION	CROSS SECTIONS IL 54			F.A.P. RTE.	SECTION	COUNTY	TOTAL SHEETS	SHEET NO.
ca:\pw\work\PWIDOT\KEYSRB\d0101441\0570592-shht.dgn		DRAWN -	REVISED -					71	121R	MCLEAN	87	61
PLOT SCALE = 20.0000' / IN.		CHECKED -	REVISED -		CONTRACT NO. 70592			ILLINOIS FED. AID PROJECT				
PLOT DATE = 10/16/2009		DATE -	REVISED -		SCALE:	SHEET NO.	OF SHEETS	STA. 375+00.00 TO STA. 376+00.00				

DATE	
BY	
ORIGINAL SURVEY	
SURVEYED	
PLOTTED	
TEMPLATE	
AREAS	
CHECKED	
NO.	

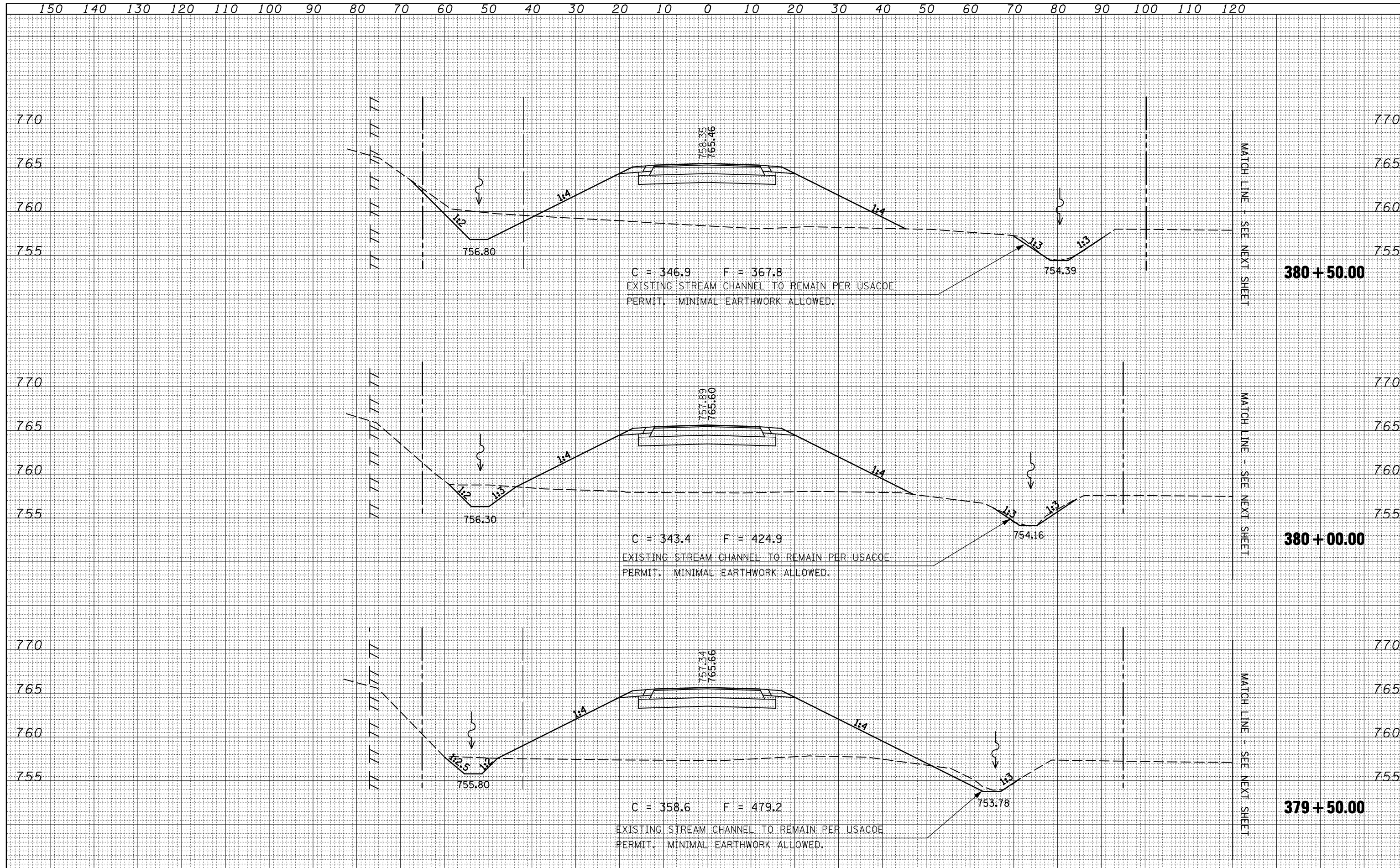
DATE	
BY	
ORIGINAL SURVEY	
SURVEYED	
PLOTTED	
TEMPLATE	
AREAS	
CHECKED	
NO.	



FILE NAME =	USER NAME = keyarb	DESIGNED -	REVISED -	STATE OF ILLINOIS DEPARTMENT OF TRANSPORTATION	CROSS SECTIONS IL 54			F.A.P. RTE.	SECTION	COUNTY	TOTAL SHEETS	SHEET NO.
ca:\pw\work\PWIDOT\KEYSRB\d0101441\0570592-shht-dgn		DRAWN -	REVISED -					71	121R	MCLEAN	87	63
PLOT SCALE = 20.0000' / IN.		CHECKED -	REVISED -		CONTRACT NO. 70592			ILLINOIS FED. AID PROJECT				
PLOT DATE = 10/16/2009		DATE -	REVISED -		SCALE:	SHEET NO.	OF SHEETS	STA. 376+50.00 TO STA. 377+50.00				

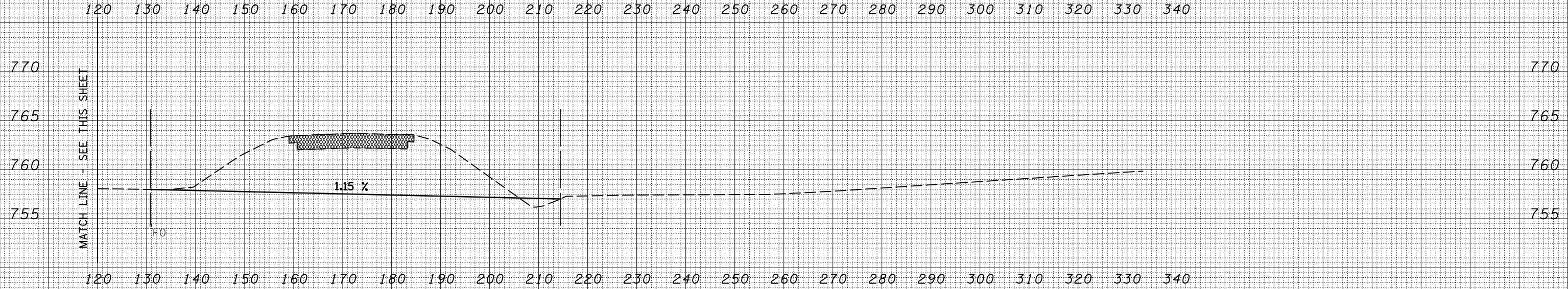
DATE	
BY	
SURVEYED	
PLOTTED	
TEMPLATE	
AREAS	
CHECKED	
FINAL SURVEY	
NOTE BOOK	
NO.	

DATE	
BY	
SURVEYED	
PLOTTED	
TEMPLATE	
AREAS	
CHECKED	
ORIGINAL SURVEY	
NOTE BOOK	
NO.	

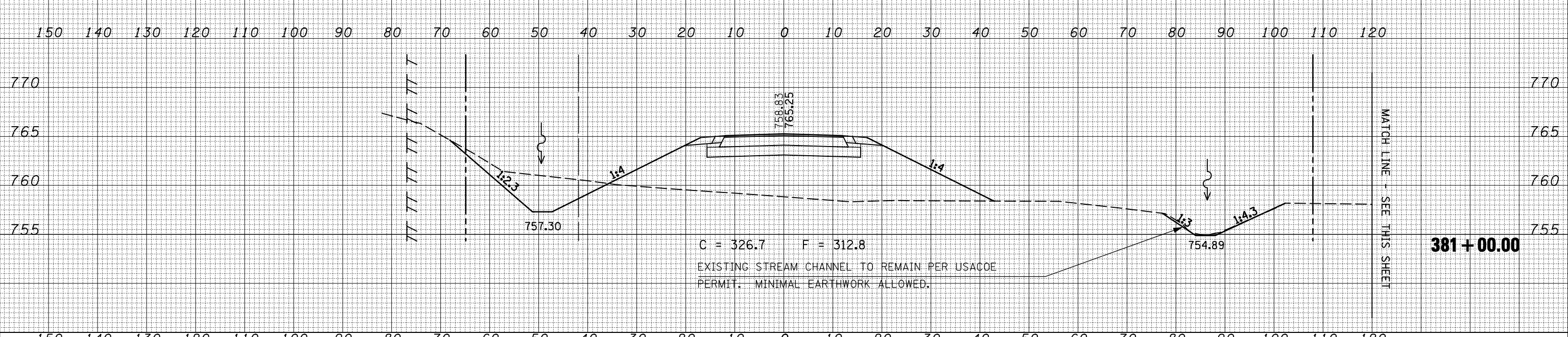


FILE NAME =	USER NAME = keyarb	DESIGNED -	REVISED -	STATE OF ILLINOIS DEPARTMENT OF TRANSPORTATION	CROSS SECTIONS			F.A.P. RTE.	SECTION	COUNTY	TOTAL SHEETS	SHEET NO.
ca:\pw\work\PWIDOT\KEYSRB\d0101441\0570592-shh\ssht.dgn		DRAWN -	REVISED -		71	121R	MCLEAN	87	67			
PLOT SCALE = 20.0000' / IN.		CHECKED -	REVISED -		SCALE:			CONTRACT NO. 70592				
PLOT DATE = 10/16/2009		DATE -	REVISED -		SHEET NO.	OF SHEETS	STA. 379+50.00 TO STA. 380+50.00	ILLINOIS FED. AID PROJECT				

DATE	
BY	
FINAL SURVEY	SURVEYED
NOTE BOOK NO.	PLOTTED
	TEMPLATE
	AREAS
	CHECKED



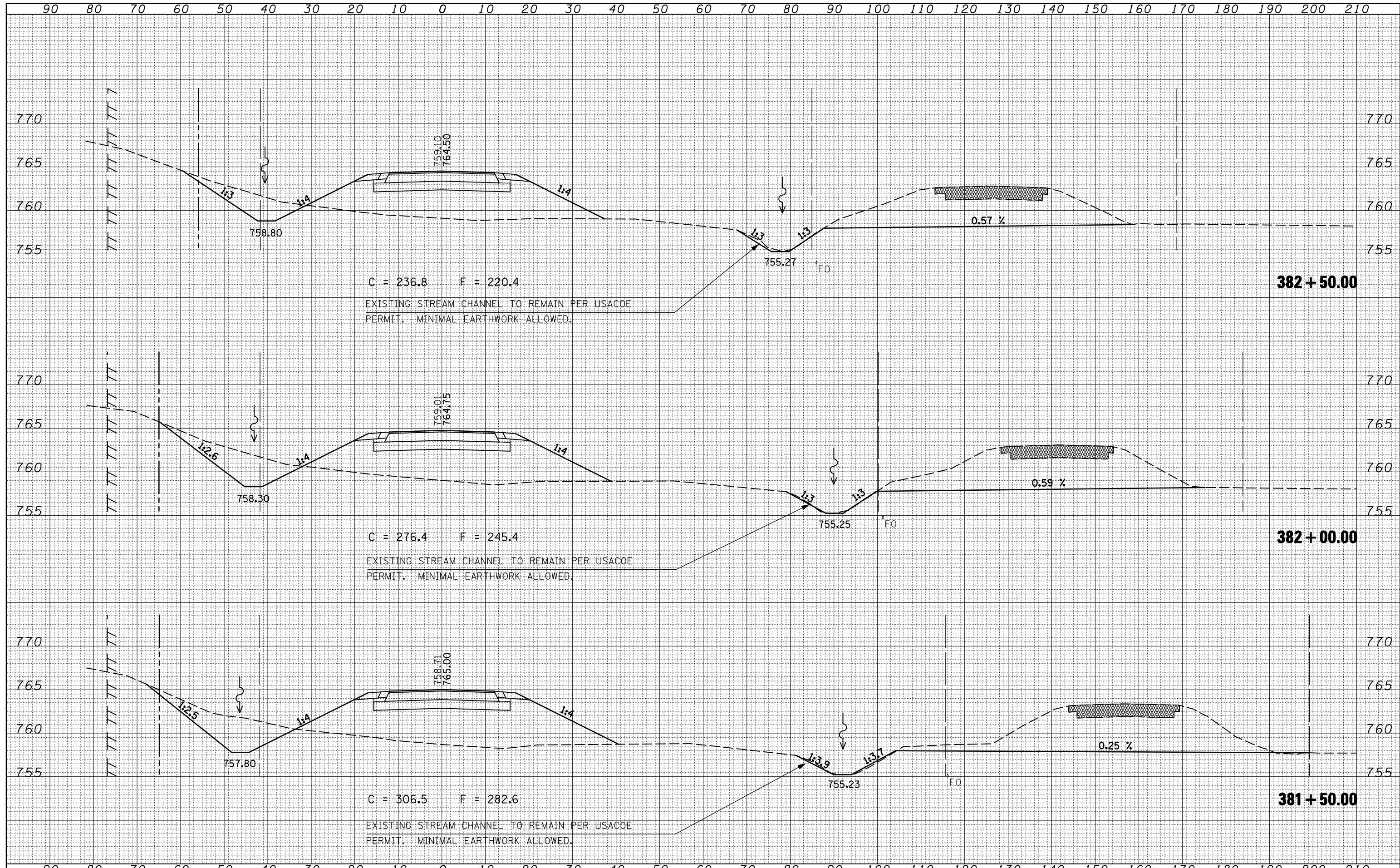
DATE	
BY	
ORIGINAL SURVEY	SURVEYED
NOTE BOOK NO.	PLOTTED
	TEMPLATE
	AREAS
	CHECKED



FILE NAME =	USER NAME = keyarb	DESIGNED -	REVISED -	STATE OF ILLINOIS DEPARTMENT OF TRANSPORTATION	CROSS SECTIONS IL 54			F.A.P. RTE.	SECTION	COUNTY	TOTAL SHEETS	SHEET NO.
ca:\pw\work\PWIDOT\KEYSRB\d0101441\0570592-sh1-ssht.dgn		DRAWN -	REVISED -					71	121R	MCLEAN	87	69
		CHECKED -	REVISED -		SCALE:			SHEET NO. OF SHEETS		STA. 381+00.00 TO STA. 381+00.00		
		DATE -	REVISED -							ILLINOIS FED. AID PROJECT		

DATE	
BY	
SURVEYED	
PLOTTED	
TEMPLATE	
AREAS	
CHECKED	
FINAL SURVEY	
NOTE BOOK	
NO.	

DATE	
BY	
SURVEYED	
PLOTTED	
TEMPLATE	
AREAS	
CHECKED	
ORIGINAL SURVEY	
NOTE BOOK	
NO.	



C = 236.8 F = 220.4

EXISTING STREAM CHANNEL TO REMAIN PER USACOE PERMIT. MINIMAL EARTHWORK ALLOWED.

382 + 50.00

C = 276.4 F = 245.4

EXISTING STREAM CHANNEL TO REMAIN PER USACOE PERMIT. MINIMAL EARTHWORK ALLOWED.

382 + 00.00

C = 306.5 F = 282.6

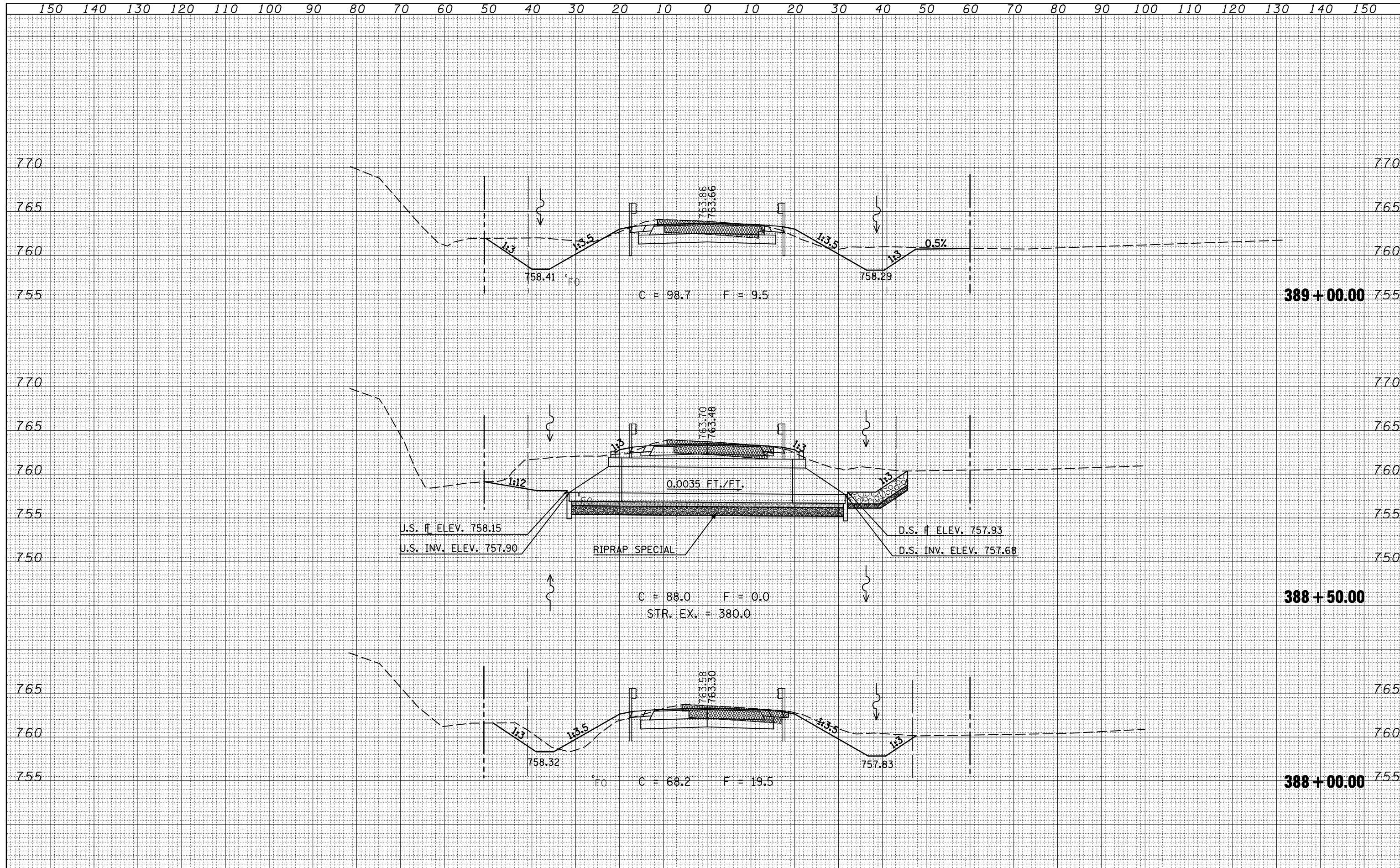
EXISTING STREAM CHANNEL TO REMAIN PER USACOE PERMIT. MINIMAL EARTHWORK ALLOWED.

381 + 50.00

FILE NAME =	USER NAME = keyarb	DESIGNED -	REVISED -	STATE OF ILLINOIS DEPARTMENT OF TRANSPORTATION	CROSS SECTIONS IL 54			F.A.P. RTE.	SECTION	COUNTY	TOTAL SHEETS	SHEET NO.
ca:\pw\work\PWIDOT\KEYSRB\d0101441\0570592-sh1-sh1.dgn		DRAWN -	REVISED -					71	121R	MCLEAN	87	70
PLOT SCALE = 20.0000' / IN.		CHECKED -	REVISED -					CONTRACT NO. 70592				
PLOT DATE = 10/16/2009		DATE -	REVISED -					ILLINOIS FED. AID PROJECT				
SCALE:				SHEET NO. OF SHEETS		STA. 381+50.00 TO STA. 382+50.00						

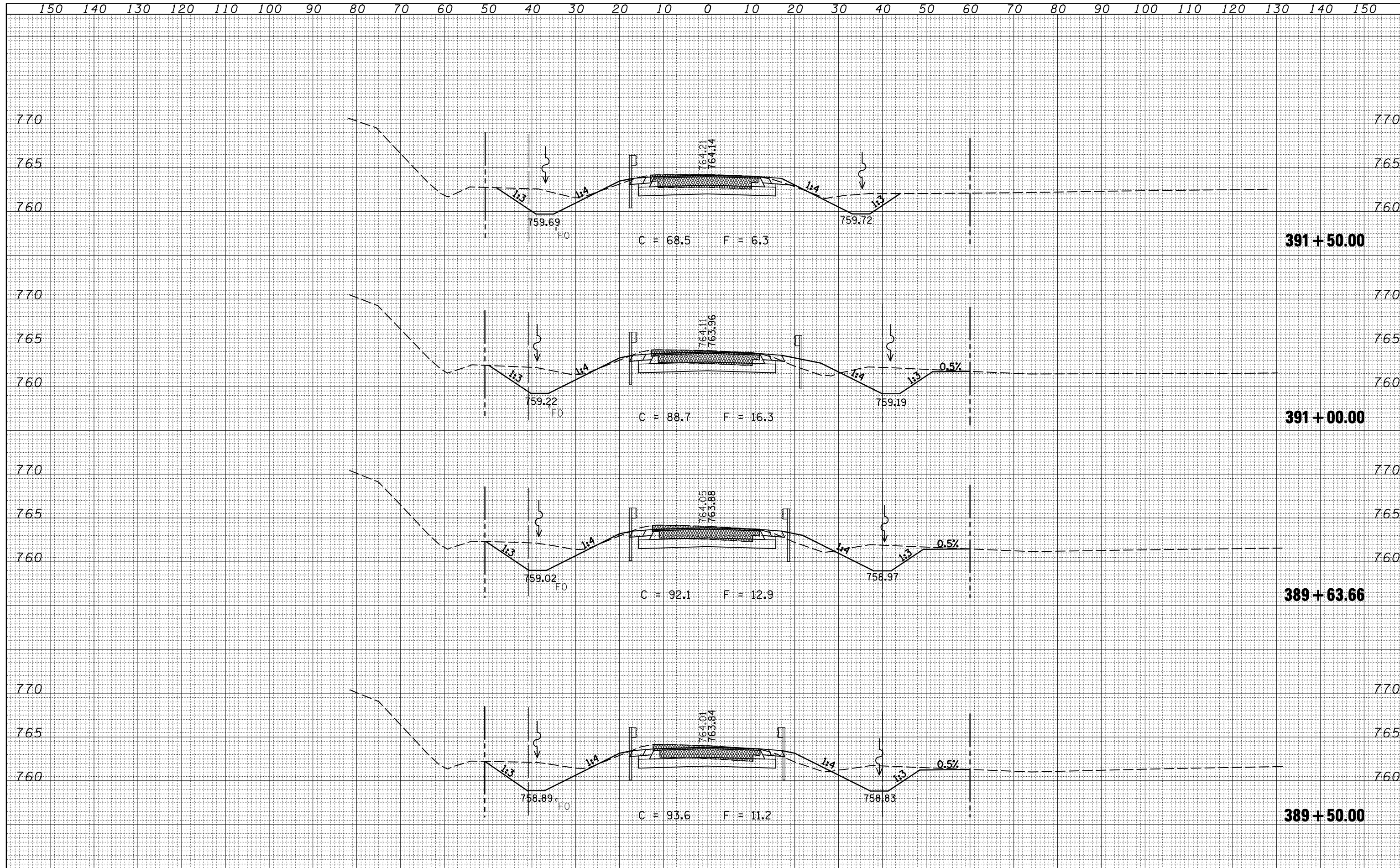
DATE	
BY	
SURVEYED	
PLOTTED	
TEMPLATE	
AREAS	
CHECKED	
FINAL SURVEY	
NOTE BOOK	
NO.	

DATE	
BY	
SURVEYED	
PLOTTED	
TEMPLATE	
AREAS	
CHECKED	
ORIGINAL SURVEY	
NOTE BOOK	
NO.	



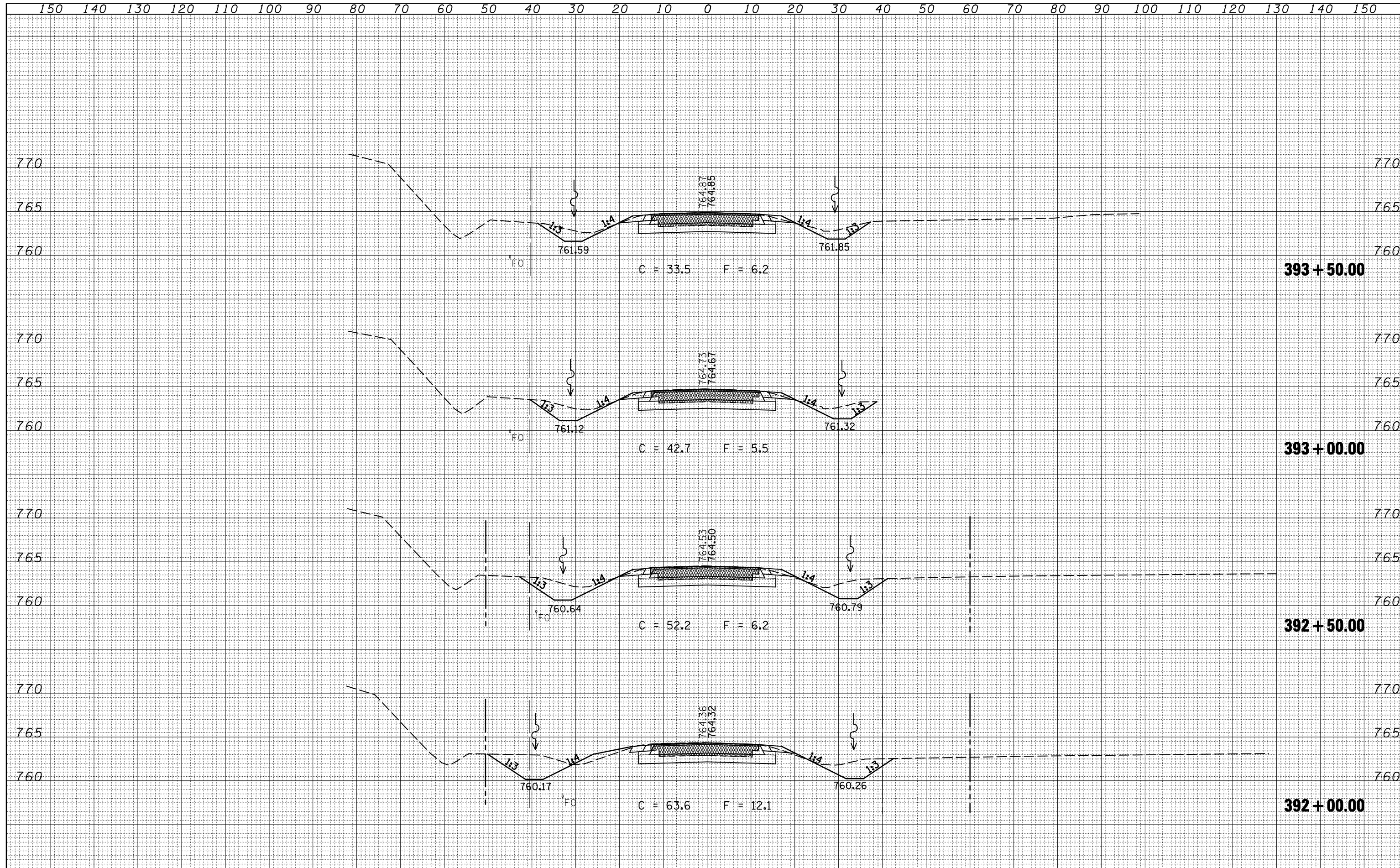
DATE	
BY	
FINISHED SURVEY	
PLOTTED	
TEMPLATE	
AREAS	
CHECKED	
NO.	

DATE	
BY	
ORIGINAL SURVEY	
NOTE BOOK	
AREAS	
CHECKED	
NO.	



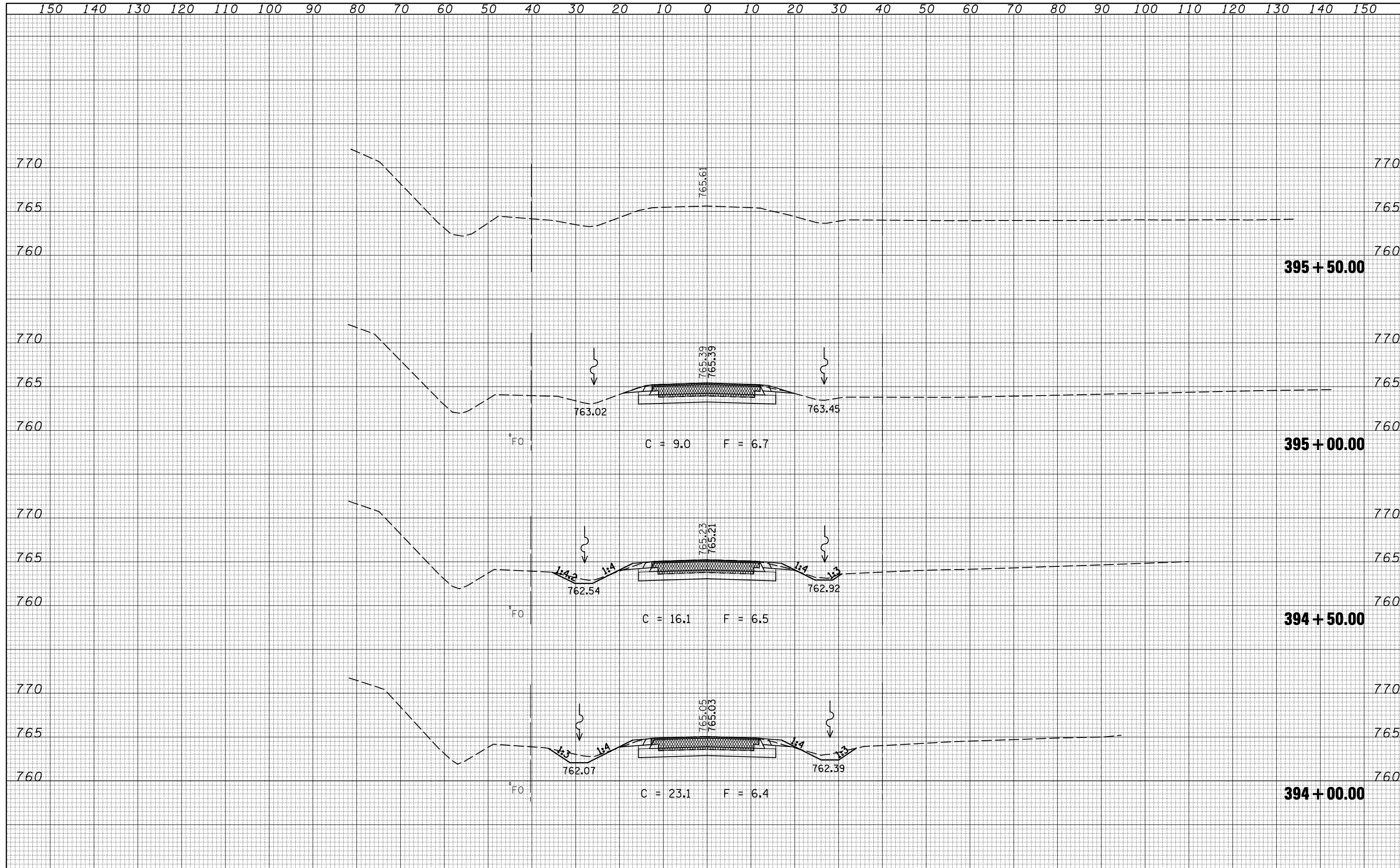
DATE	
BY	
SURVEYED	
PLOTTED	
TEMPLATE	
AREAS	
CHECKED	
FINAL SURVEY	
NOTE BOOK	
NO.	

DATE	
BY	
SURVEYED	
PLOTTED	
TEMPLATE	
AREAS	
CHECKED	
ORIGINAL SURVEY	
NOTE BOOK	
NO.	



DATE	
BY	
SURVEYED	
PLOTTED	
TEMPLATE	
AREAS	
CHECKED	
FINAL SURVEY	
NOTE BOOK	
NO.	

DATE	
BY	
SURVEYED	
PLOTTED	
TEMPLATE	
AREAS	
CHECKED	
ORIGINAL SURVEY	
NOTE BOOK	
NO.	

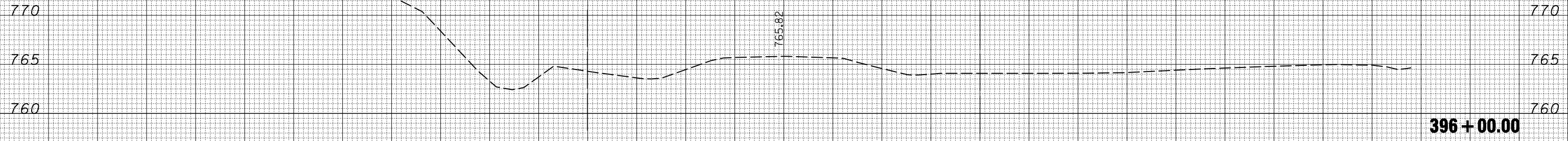


FILE NAME =	USER NAME = keyarb	DESIGNED -	REVISD -	STATE OF ILLINOIS DEPARTMENT OF TRANSPORTATION	CROSS SECTIONS IL 54	F.A.P. RTE.	SECTION	COUNTY	TOTAL SHEETS	SHEET NO.
ca:\pw\work\PWIDOT\KEYSRB\d0101441\0570592-shht.dgn		DRAWN -	REVISD -			71	121R	MCLEAN	87	79
PLOT SCALE = 20.0000' / IN.		CHECKED -	REVISD -			CONTRACT NO. 70592				
PLOT DATE = 10/16/2009		DATE -	REVISD -			ILLINOIS FED. AID PROJECT				
					SCALE:	SHEET NO.	OF	SHEETS	STA. 394+00.00	TO STA. 395+50.00

150 140 130 120 110 100 90 80 70 60 50 40 30 20 10 0 10 20 30 40 50 60 70 80 90 100 110 120 130 140 150

DATE	BY	SURVEYED	PLOTTED
		NOTE BOOK	TEMPLATE
		AREAS	CHECKED
		AREAS	CHECKED

DATE	BY	SURVEYED	PLOTTED
		NOTE BOOK	TEMPLATE
		AREAS	CHECKED
		AREAS	CHECKED



150 140 130 120 110 100 90 80 70 60 50 40 30 20 10 0 10 20 30 40 50 60 70 80 90 100 110 120 130 140 150

FILE NAME = c:\pwork\pwork\KEYSRB\d010144\0570592-shht.dgn

USER NAME = keyarb
 DESIGNED -
 DRAWN -
 PLOT SCALE = 20.0000' / IN.
 CHECKED -
 PLOT DATE = 10/16/2009

DESIGNED -
 DRAWN -
 CHECKED -
 DATE -

REVISED -
 REVISED -
 REVISED -
 REVISED -

**STATE OF ILLINOIS
 DEPARTMENT OF TRANSPORTATION**

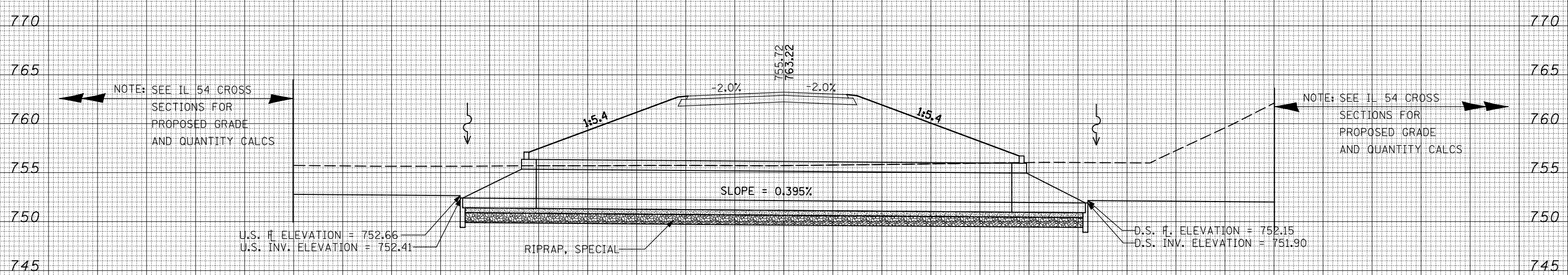
**CROSS SECTIONS
 IL 54**

SCALE: SHEET NO. OF SHEETS STA. 396+00.00 TO STA. 396+00.00

F.A.P. RTE.	SECTION	COUNTY	TOTAL SHEETS	SHEET NO.
71	121R	MCLEAN	87	80
CONTRACT NO.			70592	
ILLINOIS FED. AID PROJECT				

150 140 130 120 110 100 90 80 70 60 50 40 30 20 10 0 10 20 30 40 50 60 70 80 90 100 110 120 130 140 150

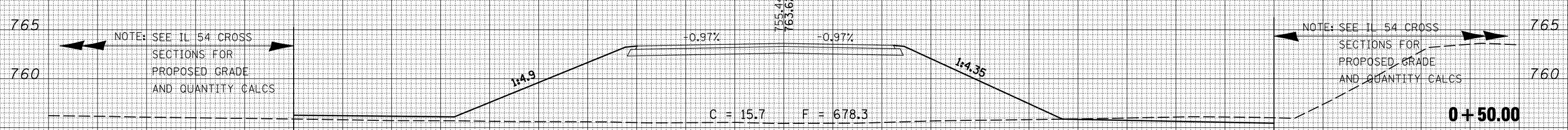
DATE	
BY	
SURVEYED	
PLOTTED	
TEMPLATE	
AREAS	
CHECKED	
FINAL SURVEY	
NOTE BOOK	
NO.	



C = 356.4 F = 450.7

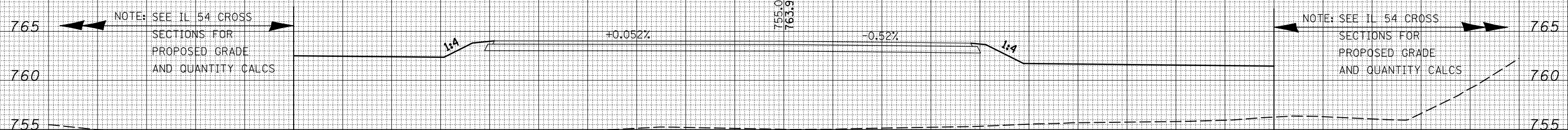
X-SEC ALONG STR CL **0+76.31**

DATE	
BY	
SURVEYED	
PLOTTED	
TEMPLATE	
AREAS	
CHECKED	
ORIGINAL SURVEY	
NOTE BOOK	
NO.	



C = 15.7 F = 678.3

0+50.00

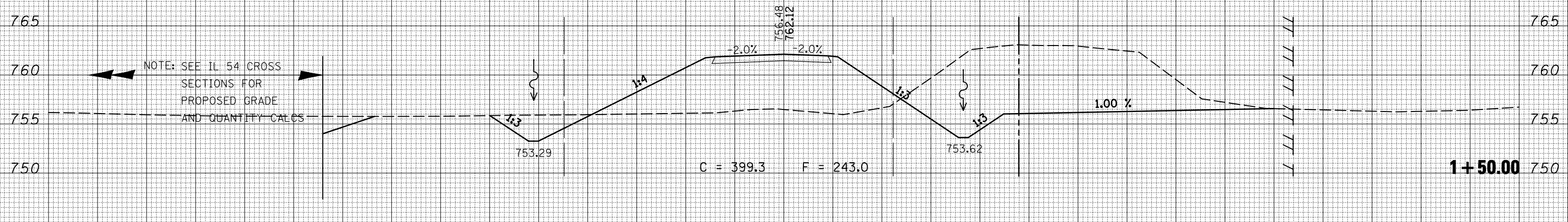


C = 0.0 F = 1513.4

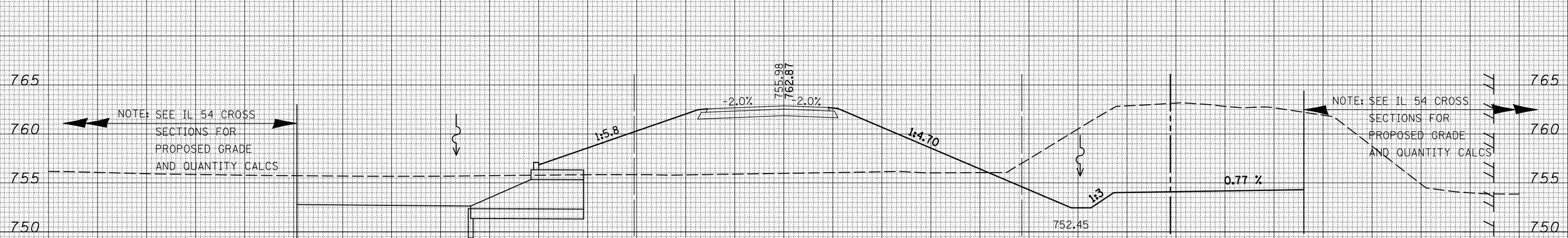
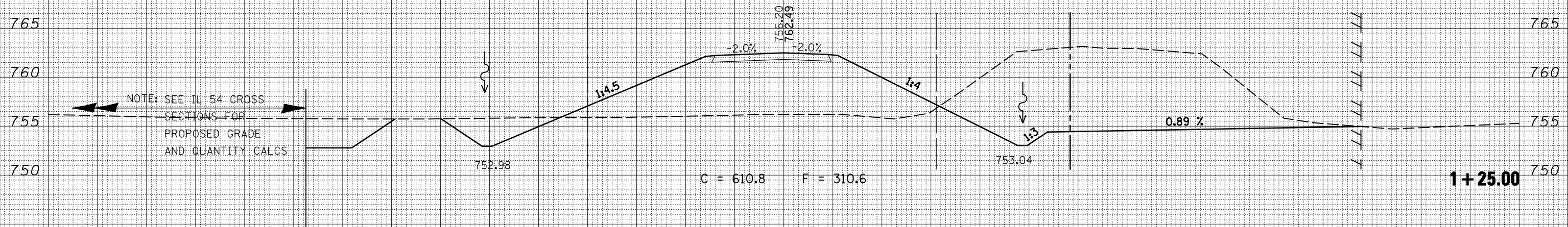
0+25.00

150 140 130 120 110 100 90 80 70 60 50 40 30 20 10 0 10 20 30 40 50 60 70 80 90 100 110 120 130 140 150

DATE	
BY	
SURVEYED	
PLOTTED	
TEMPLATE	
AREAS	
CHECKED	
FINAL SURVEY	
NOTE BOOK	
NO.	



DATE	
BY	
SURVEYED	
PLOTTED	
TEMPLATE	
AREAS	
CHECKED	
ORIGINAL SURVEY	
NOTE BOOK	
NO.	



150 140 130 120 110 100 90 80 70 60 50 40 30 20 10 0 10 20 30 40 50 60 70 80 90 100 110 120 130 140 150

FILE NAME =
 c:\pwwork\pwwidot\KEYSRB\d0101441\0570592-sh1-ssht.dgn

USER NAME = keyarb
 DESIGNED -
 DRAWN -
 PLOT SCALE = 20.0000' / IN.
 CHECKED -
 DATE -

REVISÉ -
 REVISÉ -
 REVISÉ -
 REVISÉ -

**STATE OF ILLINOIS
 DEPARTMENT OF TRANSPORTATION**

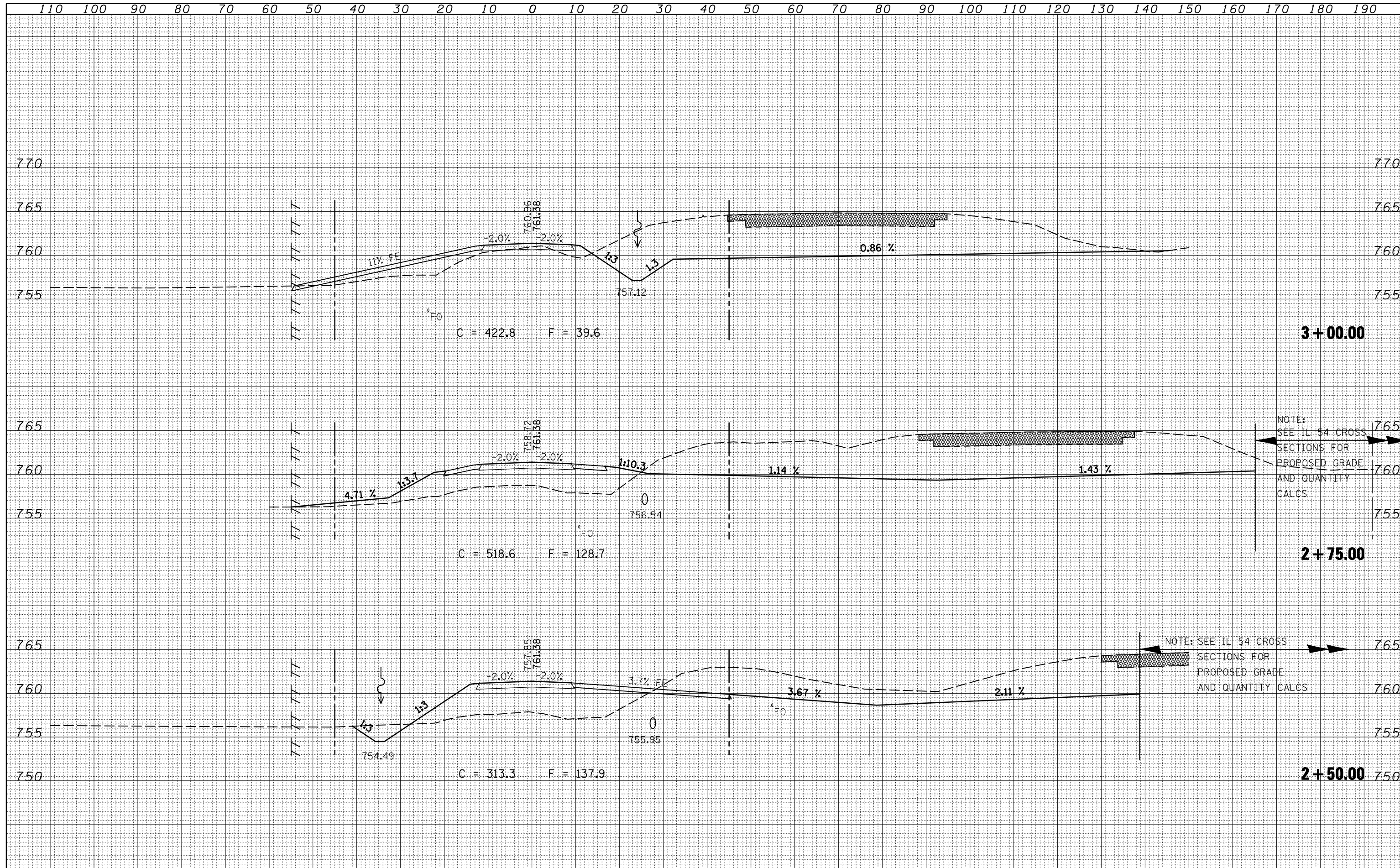
**CROSS SECTIONS
 TR 547**

SCALE: SHEET NO. OF SHEETS STA. 1+00.00 TO STA. 1+50.00

F.A.P. RTE.	SECTION	COUNTY	TOTAL SHEETS	SHEET NO.
71	121R	MCLEAN	87	82
CONTRACT NO. 70592			ILLINOIS FED. AID PROJECT	

DATE	
BY	
SURVEYED	
PLOTTED	
TEMPLATE	
AREAS	
CHECKED	
NO.	

DATE	
BY	
SURVEYED	
PLOTTED	
TEMPLATE	
AREAS	
CHECKED	
NO.	



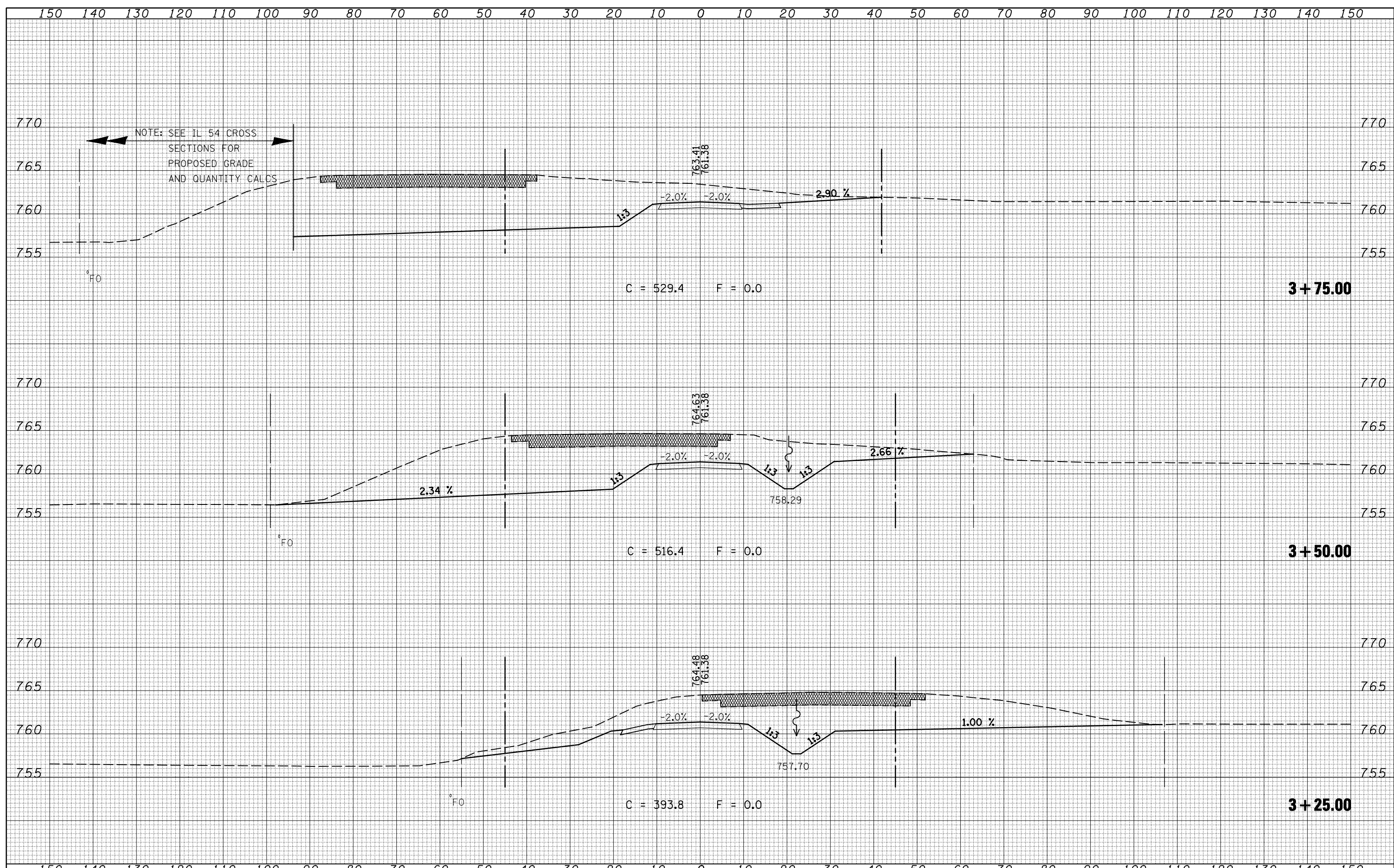
NOTE: SEE IL 54 CROSS SECTIONS FOR PROPOSED GRADE AND QUANTITY CALCS

NOTE: SEE IL 54 CROSS SECTIONS FOR PROPOSED GRADE AND QUANTITY CALCS

FILE NAME =	USER NAME = keyarb	DESIGNED -	REVISED -	STATE OF ILLINOIS DEPARTMENT OF TRANSPORTATION	CROSS SECTIONS TR 547			F.A.P. RTE.	SECTION	COUNTY	TOTAL SHEETS	SHEET NO.
ca:\pwork\pwidot\KEYSRB\d0101441\0570592-shht.dgn		DRAWN -	REVISED -					71	121R	MCLEAN	87	84
PLOT SCALE = 20.0000' / IN.		CHECKED -	REVISED -		SCALE: SHEET NO. OF SHEETS STA. 2+50.00 TO STA. 3+00.00			CONTRACT NO. 70592				
PLOT DATE = 10/16/2009		DATE -	REVISED -		ILLINOIS FED. AID PROJECT							

DATE	
BY	
SURVEYED	
PLOTTED	
TEMPLATE	
AREAS	
CHECKED	
FINAL SURVEY	
NOTE BOOK	
NO.	

DATE	
BY	
SURVEYED	
PLOTTED	
TEMPLATE	
AREAS	
CHECKED	
ORIGINAL SURVEY	
NOTE BOOK	
NO.	



FILE NAME =	USER NAME = keyarb	DESIGNED -	REVISED -	STATE OF ILLINOIS DEPARTMENT OF TRANSPORTATION	CROSS SECTIONS TR 547			F.A.P. RTE.	SECTION	COUNTY	TOTAL SHEETS	SHEET NO.
ca:\pw\work\PWIDOT\KEYSRB\d0101441\0570592-shht-dgn		DRAWN -	REVISED -					71	121R	MCLEAN	87	85
PLOT SCALE = 20.0000' / IN.		CHECKED -	REVISED -					CONTRACT NO. 70592				
PLOT DATE = 10/16/2009		DATE -	REVISED -					ILLINOIS FED. AID PROJECT				
				SCALE:	SHEET NO.	OF SHEETS	STA. 3+25.00	TO STA. 3+75.00				

