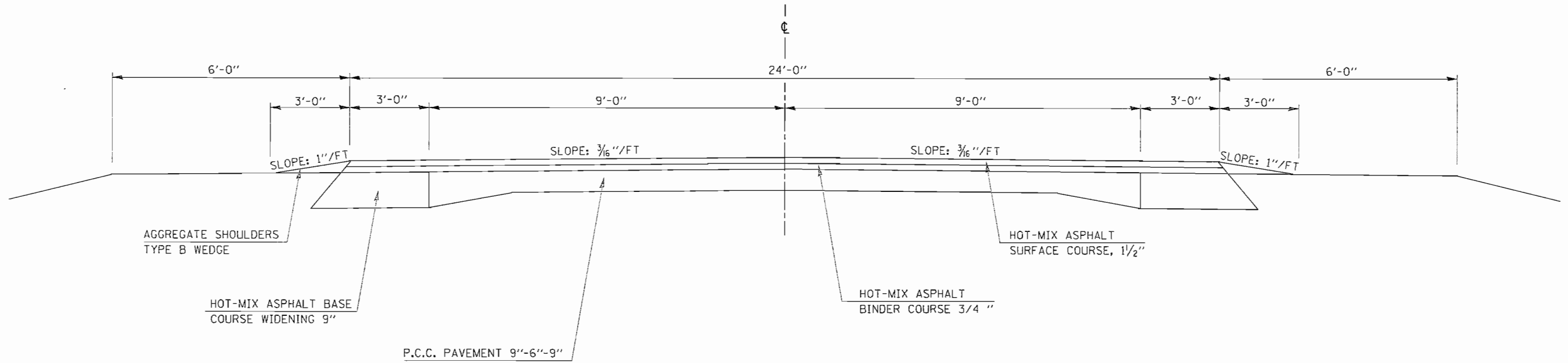


## EXISTING ROADWAY CROSS SECTION

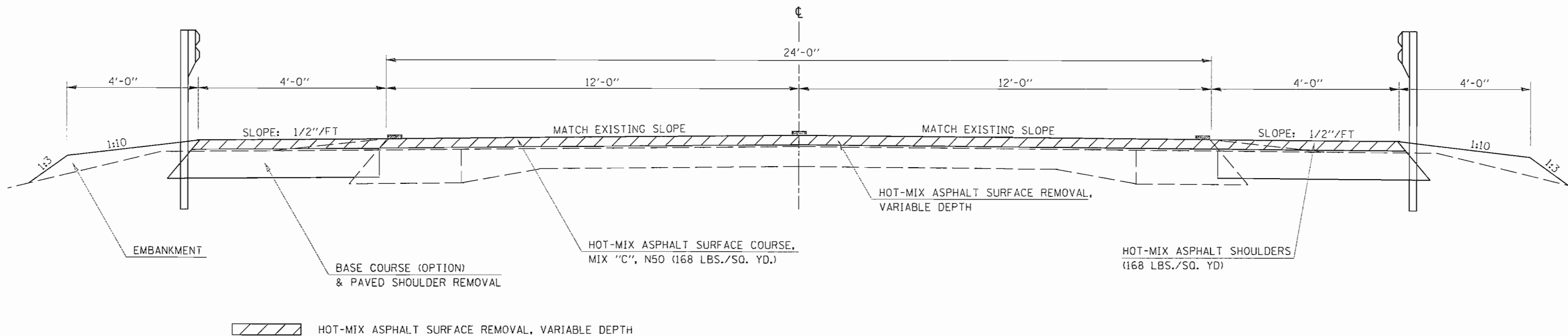
**STA. 151+00.00 TO STA. 151+67.00 (APPROACH PAVEMENT)**  
**(APPROACH PAVEMENT) STA. 153+00.00 TO STA. 154+00.00**



NOTE: BASE COURSE (OPTION) DEPTHS  
 PCC = 8"  
 HMA = 9"

## PROPOSED ROADWAY CROSS SECTION

**STA. 151+00.00 TO STA. 151+42.50 (APPROACH PAVEMENT)**  
**(APPROACH PAVEMENT) STA. 153+19.50 TO STA. 154+00.00**



FILE NAME =	USER NAME = #USER#	DESIGNED -	REVISED -	<b>STATE OF ILLINOIS DEPARTMENT OF TRANSPORTATION</b>	<b>TYPICAL SECTIONS</b>	F.A.S. RTE. 2484	SECTION 124BR-1	COUNTY MCLEAN	TOTAL SHEETS 55	SHEET NO. 5	
*FILE#		DRAWN -	REVISED -			SCALE:	SHEET NO. 1 OF 2 SHEETS	FED. ROAD DIST. NO. ILLINOIS FED. AID PROJECT		CONTRACT NO. 70612	
		CHECKED -	REVISED -								
		DATE -	REVISED -								