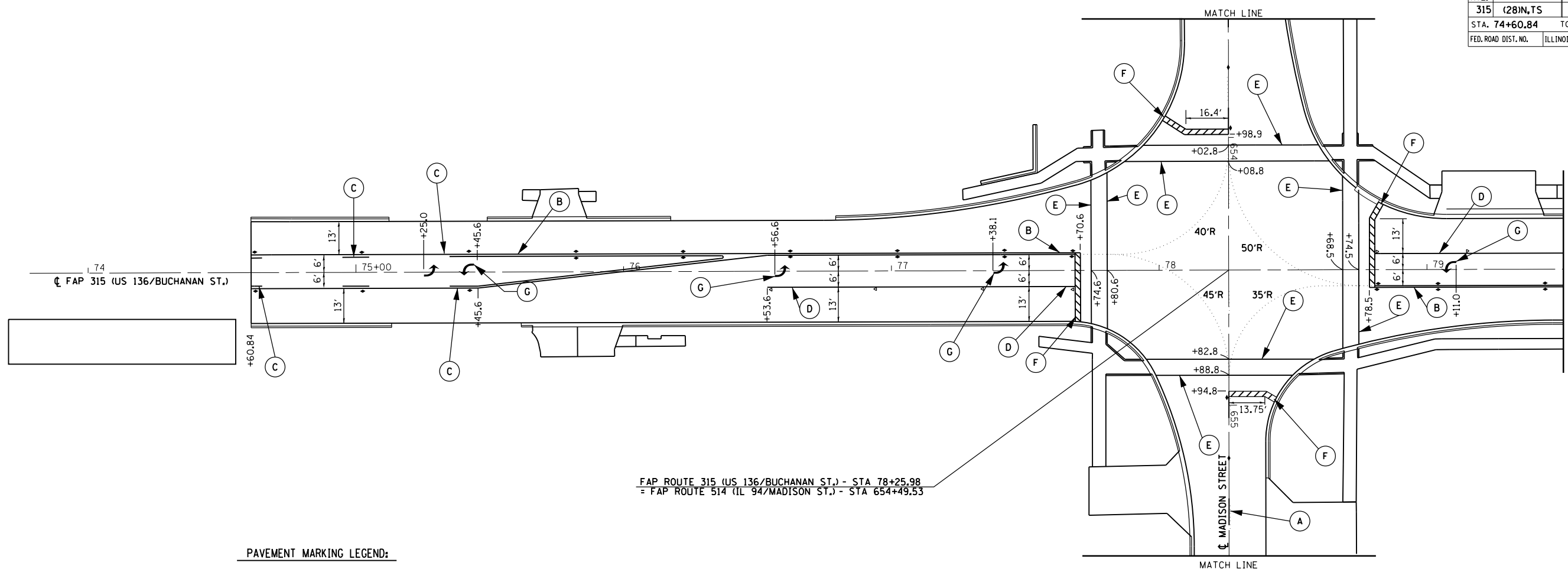


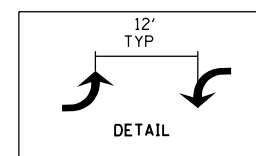
F.A.P. RTE.	SECTION	COUNTY	TOTAL SHEETS	SHEET NO.
315	(28)N,TS	HANCOCK	78	26
STA. 74+60.84		TO STA. 79+50		
FED. ROAD DIST. NO.	ILLINOIS	FED. AID PROJECT		



FAP ROUTE 315 (US 136/BUCHANAN ST.) - STA 78+25.98
 = FAP ROUTE 514 (IL 94/MADISON ST.) - STA 654+49.53

PAVEMENT MARKING LEGEND:

- (A) PREFORMED PLASTIC PAVEMENT MARKING, TYPE B - LINE 5" 30 FT SKIP 10 FT YELLOW DASH
- (B) PREFORMED PAVEMENT MARKING - LINE 5" DUAL SOLID YELLOW
- (C) PREFORMED PAVEMENT MARKING - LINE 5" DUAL LEFT TURN LANE 30 FT SKIP 10 FT YELLOW DASH & SOLID YELLOW
- (D) PREFORMED PAVEMENT MARKING - LINE 6" TURN LANE EDGE LINE, SOLID WHITE
- (E) PREFORMED PLASTIC PAVEMENT MARKING, TYPE B - LINE 6" CROSSWALK, SOLID WHITE
- (F) PREFORMED PLASTIC PAVEMENT MARKING, TYPE B - LINE 24" STOP BARS, SOLID WHITE
- (G) PREFORMED PLASTIC PAVEMENT MARKING, TYPE B - LETTERS & SYMBOLS URBAN TURN ARROWS, SOLID WHITE
- ◆ RAISED MARKER AMBER TWO-WAY
- ◁ RAISED MARKER CRYSTAL ONE-WAY



DIMENSIONS SHOWN ARE EDGE OF PAVEMENT TO CENTER OF STRIPE, CENTERLINE OF STREET TO CENTER OF STRIPE OR EDGE OF PAVEMENT TO CENTER OF DOUBLE STRIPE.

PAVEMENT MARKING GENERAL NOTES:

1. TEMPORARY PAINT PAVEMENT MARKING IN ACCORDANCE WITH SECTION 703 OF THE STANDARD SPECIFICATIONS SHALL BE INSTALLED WHEN PERMANENT MARKINGS CANNOT BE INSTALLED WITHIN THE TIME RESTRICTIONS SPECIFIED.
2. CONFLICTING PAVEMENT MARKINGS AND SYMBOLS SHALL BE REMOVED.
3. RAISED REFLECTIVE PAVEMENT MARKERS SHALL BE INSTALLED ACCORDING TO STANDARD 781001.



GRAPHIC SCALE



REVISIONS	
NAME	DATE

ILLINOIS DEPARTMENT OF TRANSPORTATION
PAVEMENT MARKINGS
 SHEET 1 OF 3
 FAP 315 (US 136) AND
 FAP 514 (IL 94)
 SECTION (28)N,TS
 HANCOCK COUNTY

SCALE:
 DATE : MAY 2010

DRAWN BY: DJK
 CHECKED BY: DBS