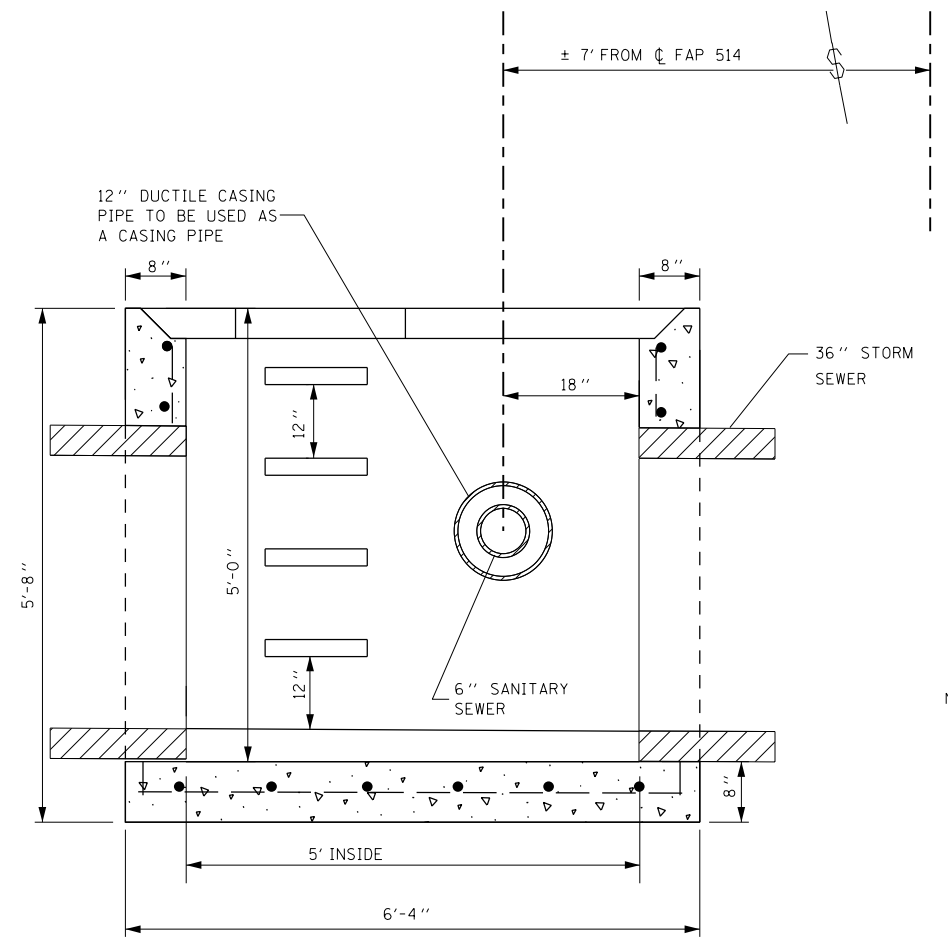
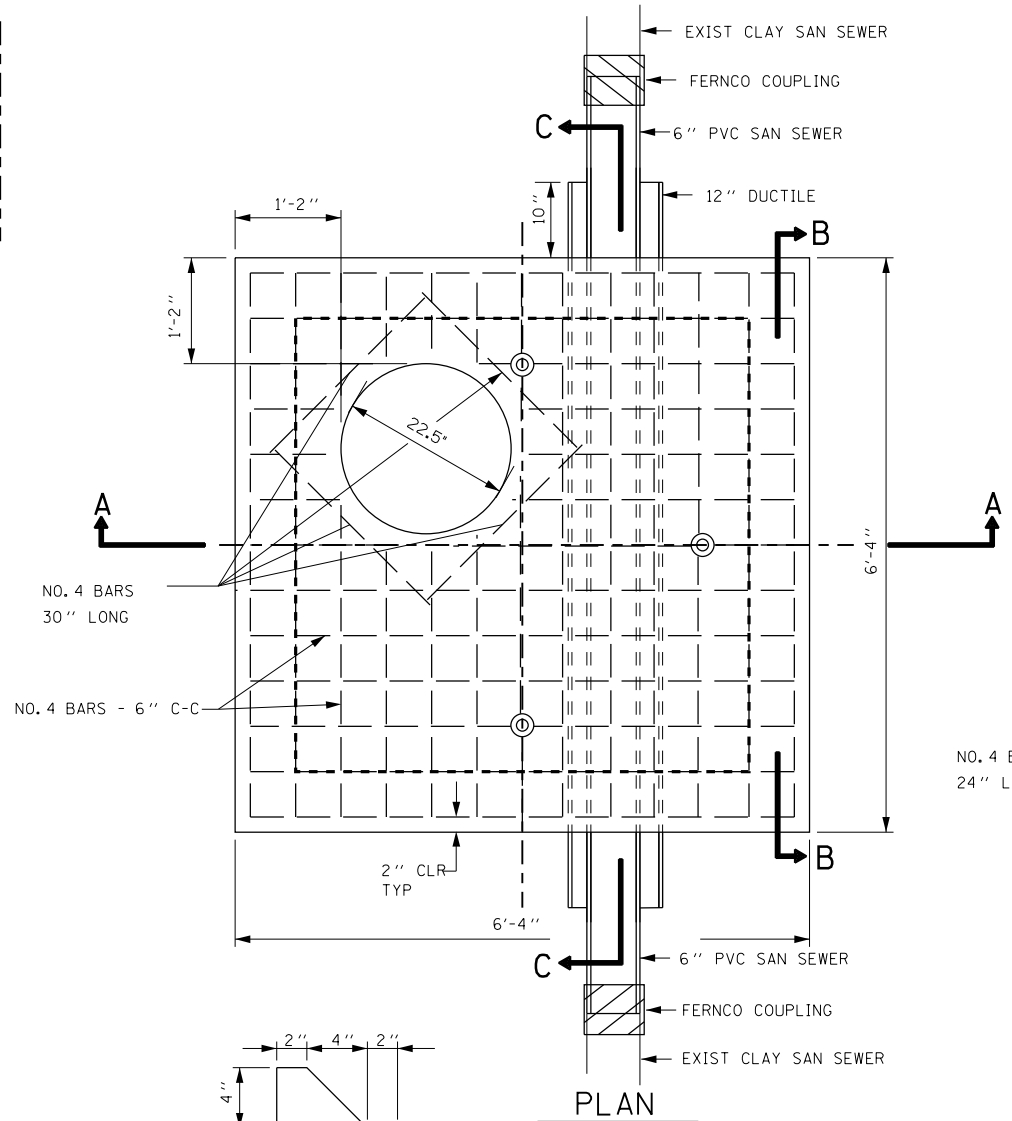


F.A.P. RTE.	SECTION	COUNTY	TOTAL SHEETS	SHEET NO.
315	(28)N,TS	HANCOCK	78	34
FED. ROAD DIST. NO.		ILLINOIS	FED. AID PROJECT	

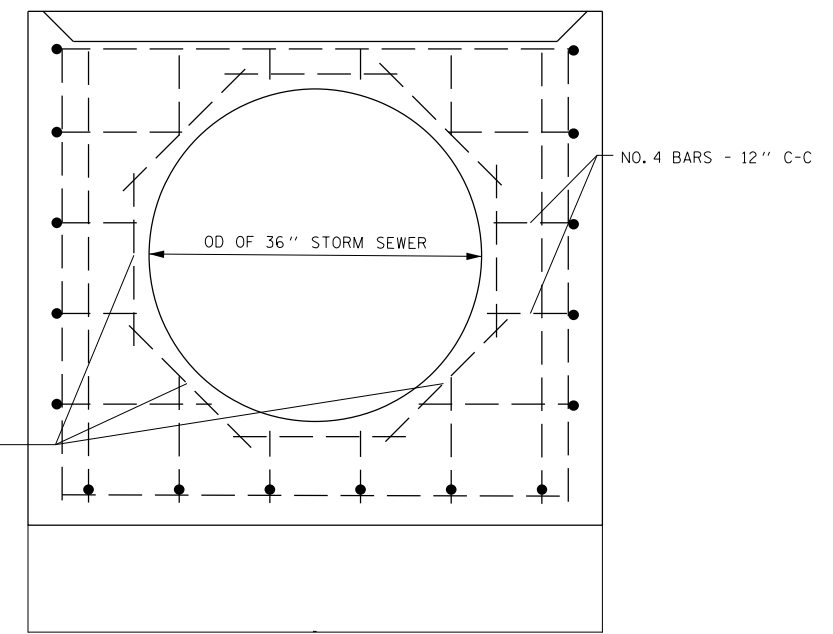
CONTRACT 72775



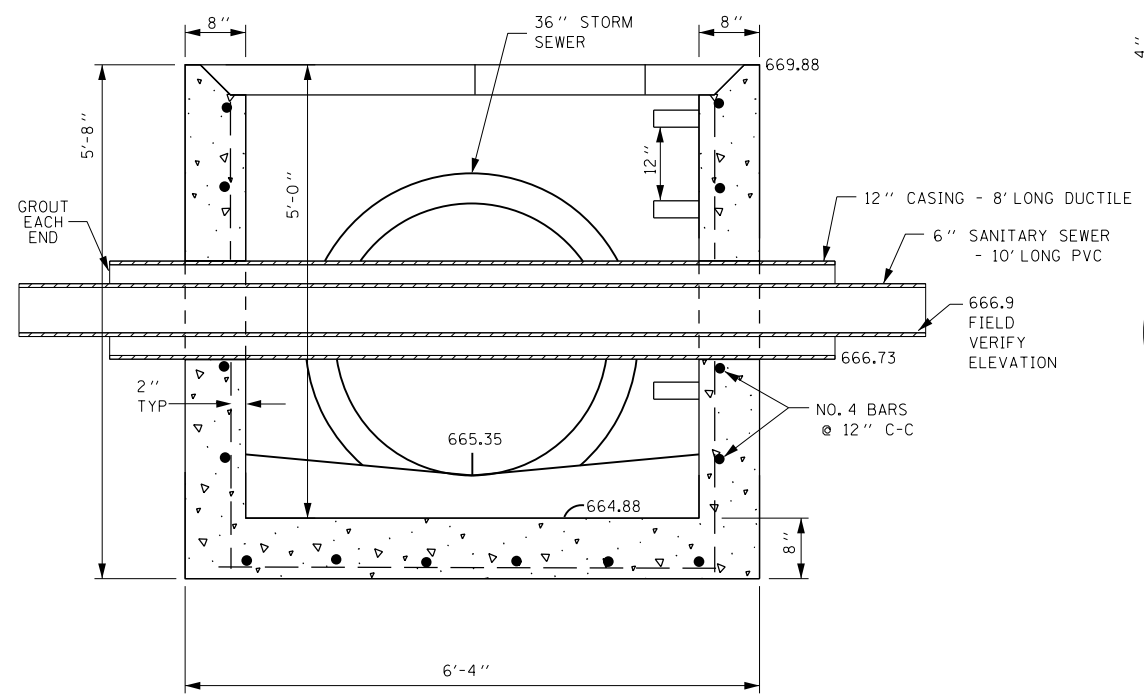
SECTION A-A
LOOKING NORTH



PLAN

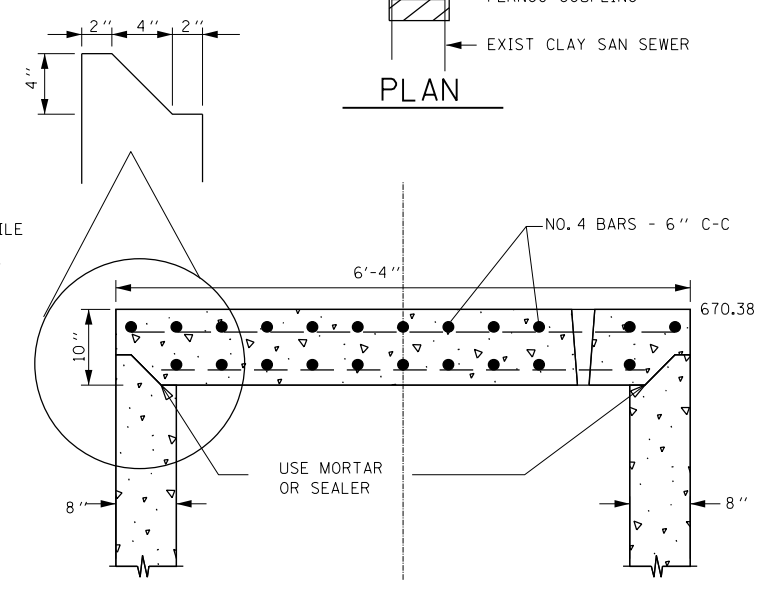


SECTION B-B



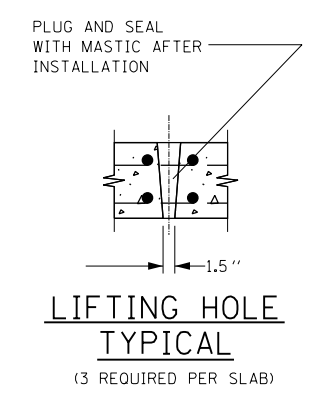
SECTION C-C

NOTE: USE APPROVED FERNCO COUPLING (OR EQUAL) AT EACH END OF 10' PIECE OF 6" SANITARY SEWER TO ATTACH TO EXISTING 6 INCH CLAY SANITARY SEWER.



SECTION A-A

NOTE: TOP OF REINFORCED CONCRETE FLAT SLAB TO BE 4" BELOW FINISH INTERSECTION GRADE.



LIFTING HOLE
TYPICAL
(3 REQUIRED PER SLAB)

GENERAL NOTES

1. THE CONTRACT UNIT PRICE BID PER EACH FOR "INSTALLING CONCRETE MANHOLE" SHALL INCLUDE THE COST FOR THE STEPS, THE FRAME AND LID, THE REINFORCED CONCRETE COVER, EXCAVATION, AND ALL REINFORCEMENT. FURNISHING THE SPECIFIED CONTROLLED LOW STRENGTH BACKFILL MATERIAL, THE 12" DUCTILE CARRIER PIPE, THE 6" PVC SANITARY PIPE AND THE COUPLINGS NEEDING TO CONNECT BACK TO THE EXISTING SYSTEM WILL ALL BE PAID FOR SEPARATELY.
2. MANHOLE LID TO BE NEENAH MODEL # R-1647 OR EQUAL.
3. SEE STANDARD 602701 FOR STEP DETAILS.
4. #4 REBARS SHALL BE PLACED HORIZONTALLY AND VERTICALLY AT 12" CENTERS IN WALLS ALL AROUND, WITH 18" BY 18" L BARS AT THE CORNERS.
5. CLASS SI CONCRETE SHALL BE USED THROUGHOUT.

REVISIONS		ILLINOIS DEPARTMENT OF TRANSPORTATION STRUCTURAL DETAILS-CONCRETE MANHOLE STA. 654+75.00, 7.0' RT.
NAME	DATE	
		INTERSECTION OF FAP 315 (US 136) AND FAP 514 (IL 94) SECTION (28)N,TS HANCOCK COUNTY
SCALE:		DRAWN BY DJK CHECKED BY DBS
DATE : MAY 2010		