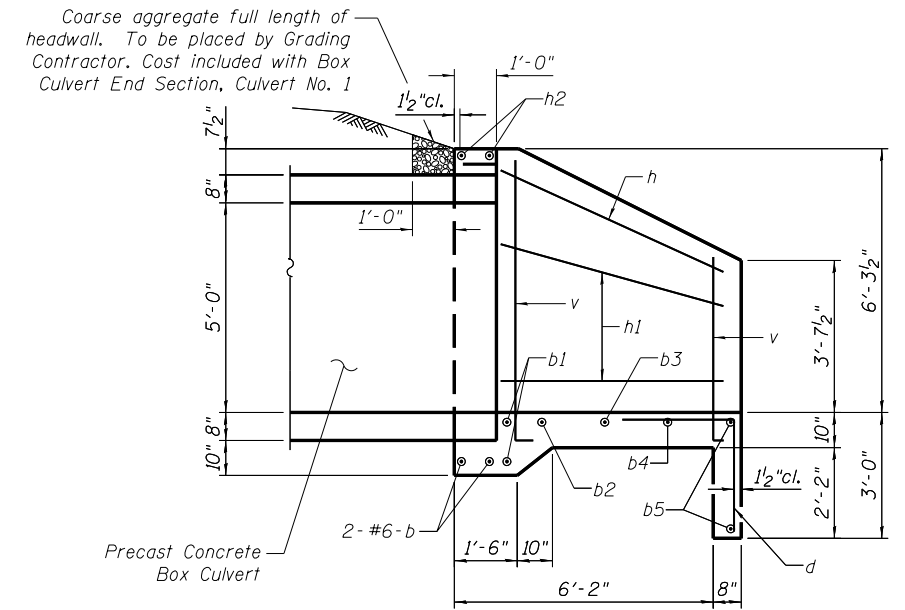
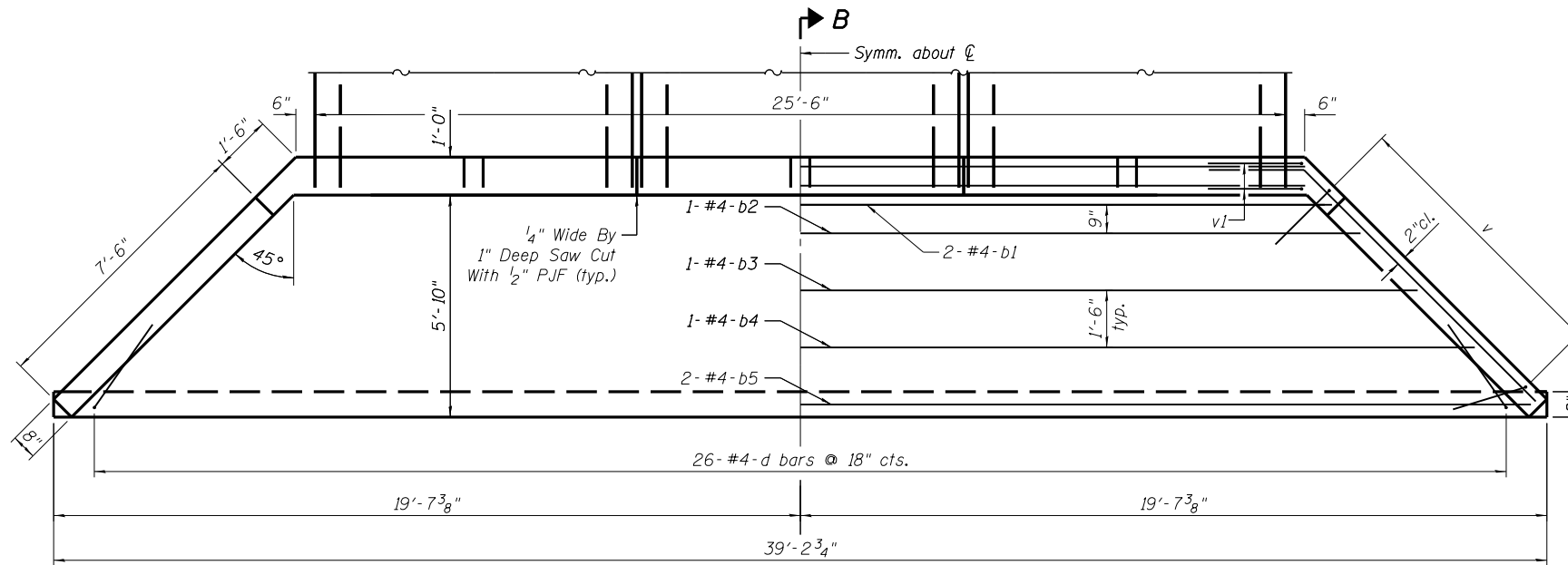


END ELEVATION



SECTION B-B



SHOWING DIMENSIONS

SHOWING REINFORCEMENT

PLAN

BILL OF MATERIAL

Bar	No.	Size	Length	Shape
b	2	#6	26'-6"	—
b1	2	#4	28'-6"	—
b2	1	#4	30'-0"	—
b3	1	#4	33'-0"	—
b4	1	#4	36'-0"	—
b5	2	#4	38'-10"	—
d	26	#4	5'-4"	└
h	2	#4	11'-8"	└
h1	6	#4	8'-8"	—
h2	2	#6	26'-2"	—
v	10	#4	15'-0"	┌
v1	8	#6	7'-3"	┌
Reinforcement Bars			Pound	640
* Box Culvert End Section, Culvert No. 1			Each	1

* West End Section = 12.9 Cu. Yd. Concrete

NOTES:

Bill of Material for West headwall only.

Bar dimensions are out to out.

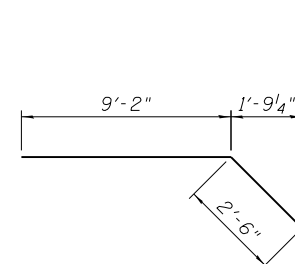
Not to scale or proper orientation.

Exposed edges shall be beveled 3/4".

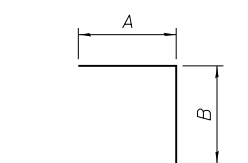
Reinforcement bars shall conform to the requirements of ASTM A706 Gr 60. See Special Provisions.

Headwall at 0° skew to culvert centerline.

Minimum bar laps:
#6 bar = 2'-7"

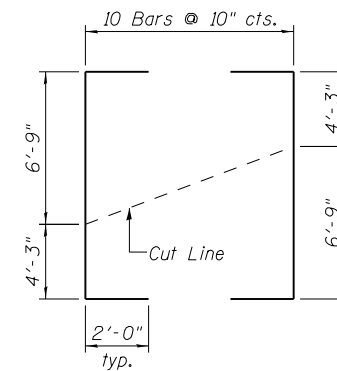


BAR h
(Bend in field)



Bar	A	B
d	2'-8"	2'-8"
v1	3'-0"	4'-3"

BARS d & v1



FIELD CUTTING DIAGRAM
BAR v

DESIGNED	KTH
CHECKED	ADL
DRAWN	KTH
CHECKED	ADL

WEST CAST-IN-PLACE END SECTION
S.N. 034-2525

SHEET NO. 2 5 SHEETS	F.A.P RTE.	SECTION	COUNTY	TOTAL SHEETS	SHEET NO.
	510	120 (B-4, B-5)	HANCOCK	80	38
FED. ROAD DIST. NO.			ILLINOIS	FED. AID PROJECT	
			CONTRACT NO. 72A65		