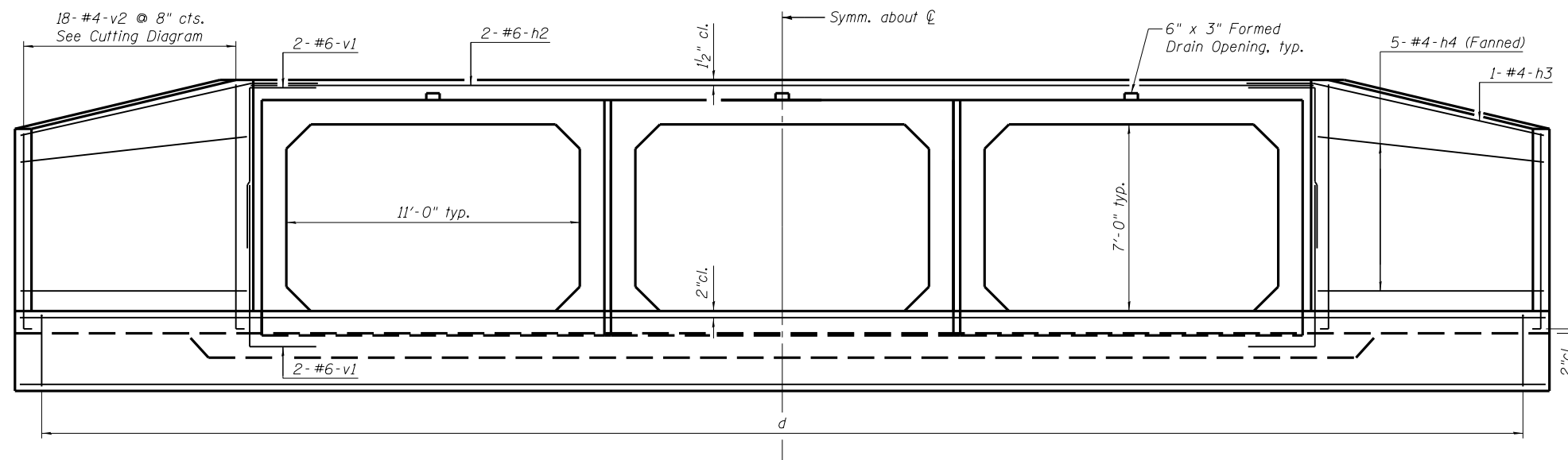
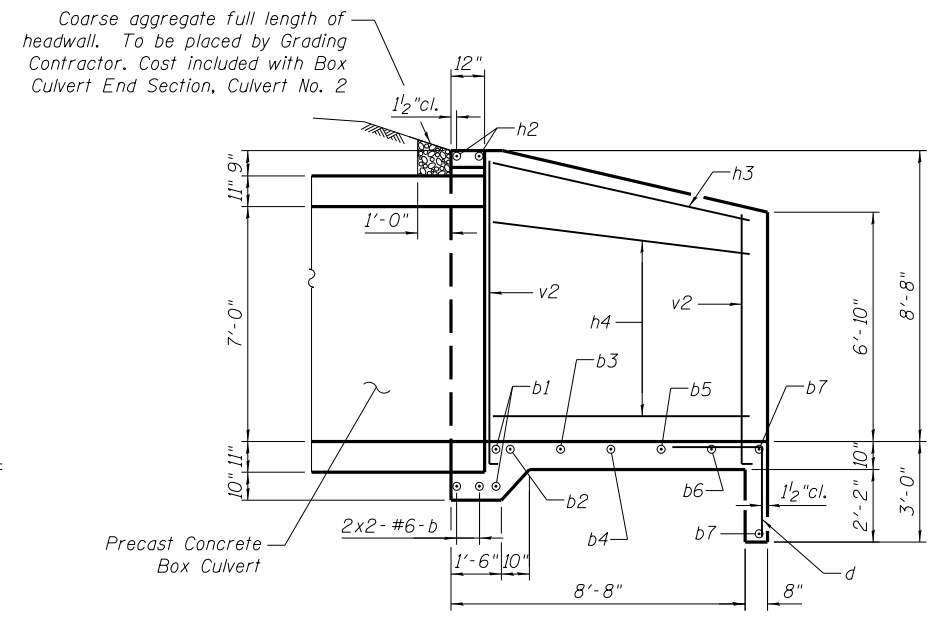


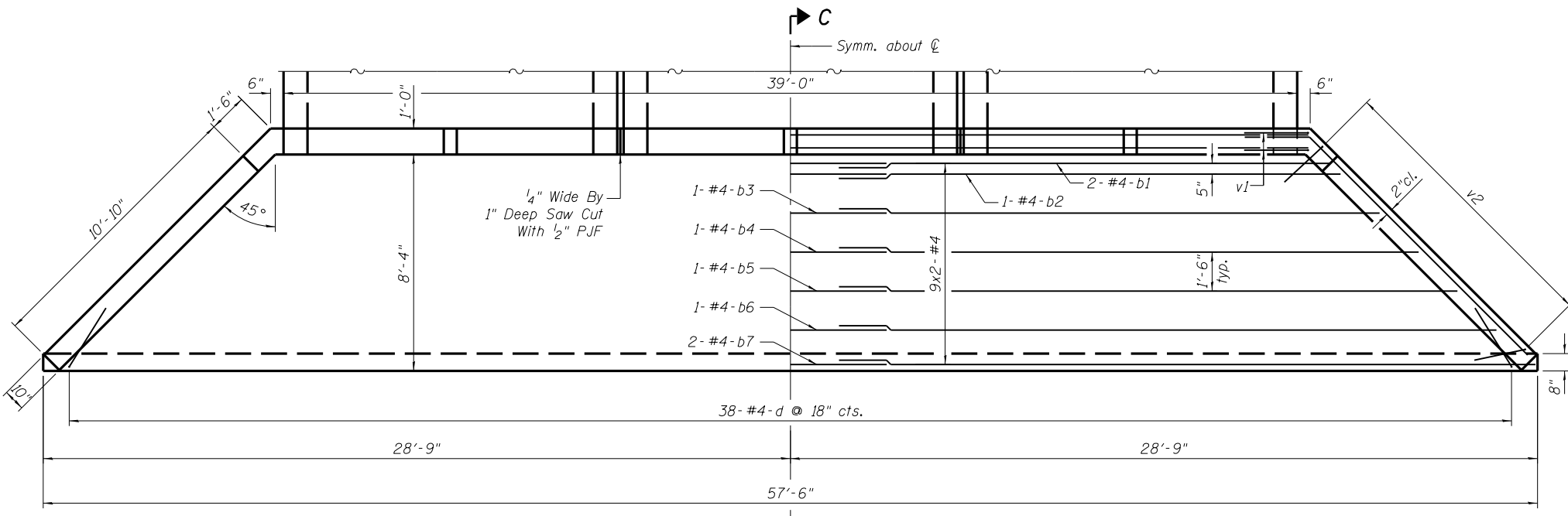
8/9/2010 7:21:43 AM



END ELEVATION



SECTION C-C



PLAN

SHOWING DIMENSIONS

SHOWING REINFORCEMENT

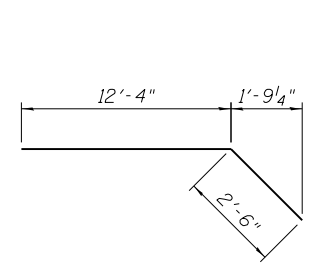
BILL OF MATERIAL

Bar	No.	Size	Length	Shape
b	4	#6	21'-1"	—
b1	4	#4	22'-0"	—
b2	2	#4	22'-3"	—
b3	2	#4	23'-9"	—
b4	2	#4	25'-3"	—
b5	2	#4	26'-9"	—
b6	2	#4	28'-3"	—
b7	4	#4	29'-5"	—
d	38	#4	5'-4"	┘
h2	2	#6	39'-8"	—
h3	2	#4	14'-10"	┘
h4	10	#4	11'-11"	—
v1	8	#6	8'-8"	┘
v2	18	#4	20'-6"	┘
Reinforcement Bars			Pound	1,140
* Box Culvert End Section, Culvert No. 2			Each	1

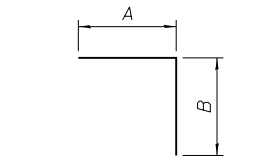
NOTES:

- Bill of Material for East headwall only.
- Bar dimensions are out to out.
- Not to scale or proper orientation.
- Exposed edges shall be beveled 3/4".
- Reinforcement bars shall conform to the requirements of ASTM A706 Gr 60. See Special Provisions.
- Headwall at 0° skew to culvert centerline.
- Bars indicated thus 9x2-#4 etc. indicates 9 lines of bars with 2 lengths per line.
- Minimum bar laps:
#6 bar = 2'-7" #4 bar = 1'-8"

* East End Section = 25.8 Cu. Yd. Concrete

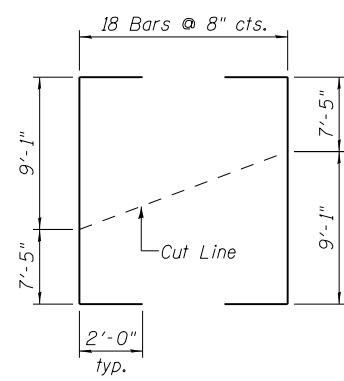


BAR h
(Bend in field)



Bar	A	B
d	2'-8"	2'-8"
v1	3'-0"	5'-8"

BARS d & v1



FIELD CUTTING DIAGRAM
BAR v2

DESIGNED	KTH
CHECKED	ADL
DRAWN	KTH
CHECKED	ADL

**EAST CAST-IN-PLACE END SECTION
S.N. 034-2526**

SHEET NO. 3 6 SHEETS	F.A.P RTE.	SECTION	COUNTY	TOTAL SHEETS	SHEET NO.
	510	120 (B-4, B-5)	HANCOCK	80	44
FED. ROAD DIST. NO.			ILLINOIS	FED. AID PROJECT	
CONTRACT NO. 72A65					