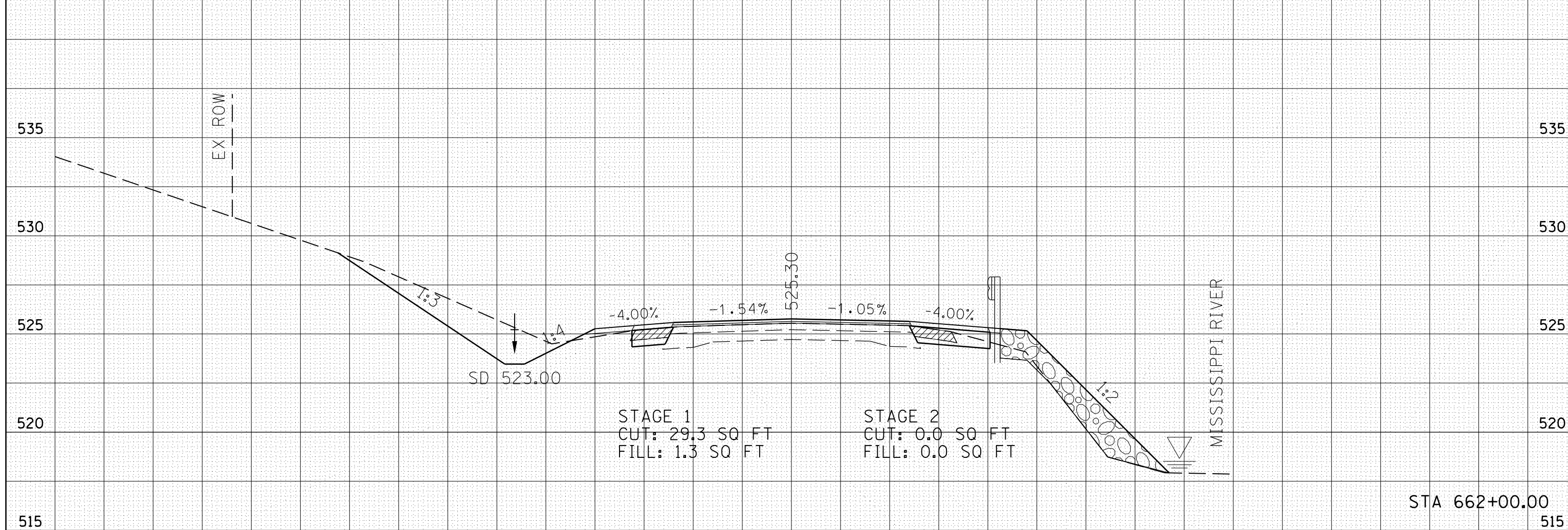
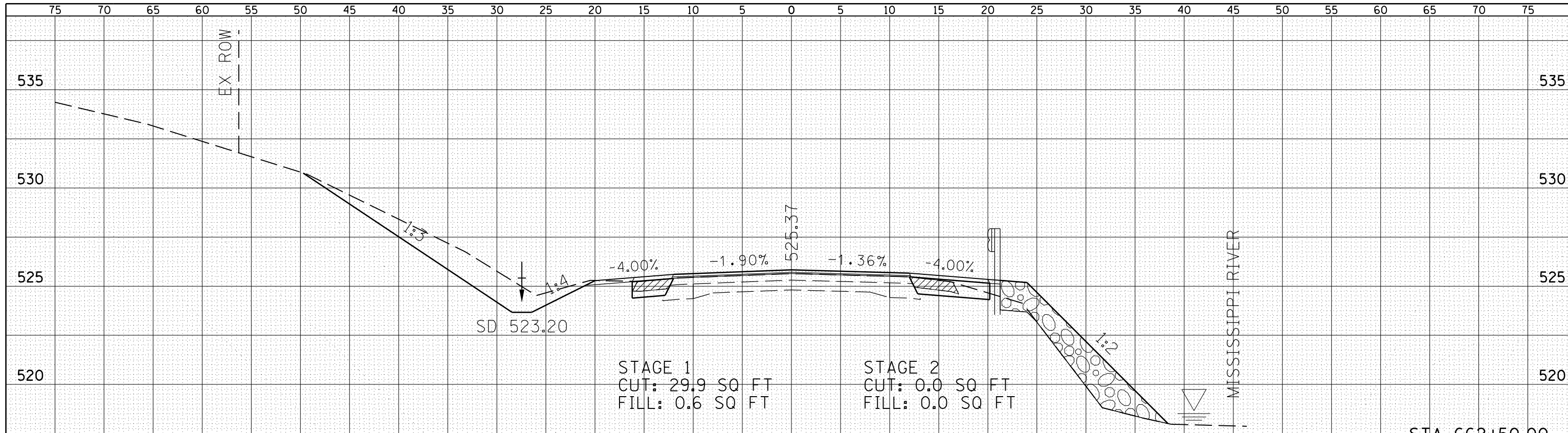


BY	DATE
FINAL SURVEY	SURVEYED
NOTE BOOK	PLOTTED
NO.	TEMPLATE
	AREAS CHECKED
	AREAS CHECKED

BY	DATE
ORIGINAL SURVEY	SURVEYED
NOTE BOOK	PLOTTED
NO.	TEMPLATE
	AREAS CHECKED
	AREAS CHECKED



FILE NAME =	USER NAME = laughl1nr1	DESIGNED -	REVISD -	<b>STATE OF ILLINOIS DEPARTMENT OF TRANSPORTATION</b>			<b>FAP 510 (IL 96) CROSS SECTION</b>			F.A.P. RTE.	SECTION	COUNTY	TOTAL SHEETS	SHEET NO.
es:\pw_work\pwidot\laughl1nr1\d0229624\IL96_xs_Shts.dgn	PLOT SCALE = 10.0000' / in.	CHECKED -	REVISD -							510	120 (B-4, B-5)	HANCOCK	80	62
	PLOT DATE = 8/9/2010	DRAWN -	REVISD -	SCALE: HORIZ 1"=10' VERT 1"=5'			SHEET NO. 12 OF 24 SHEETS	STA. 662+00.00	TO STA. 662+50.00	CONTRACT NO. 72A65				
										FED. ROAD DIST. NO. ILLINOIS FED. AID PROJECT				