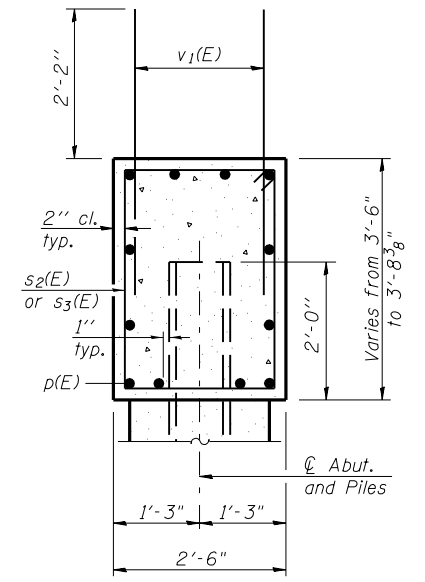
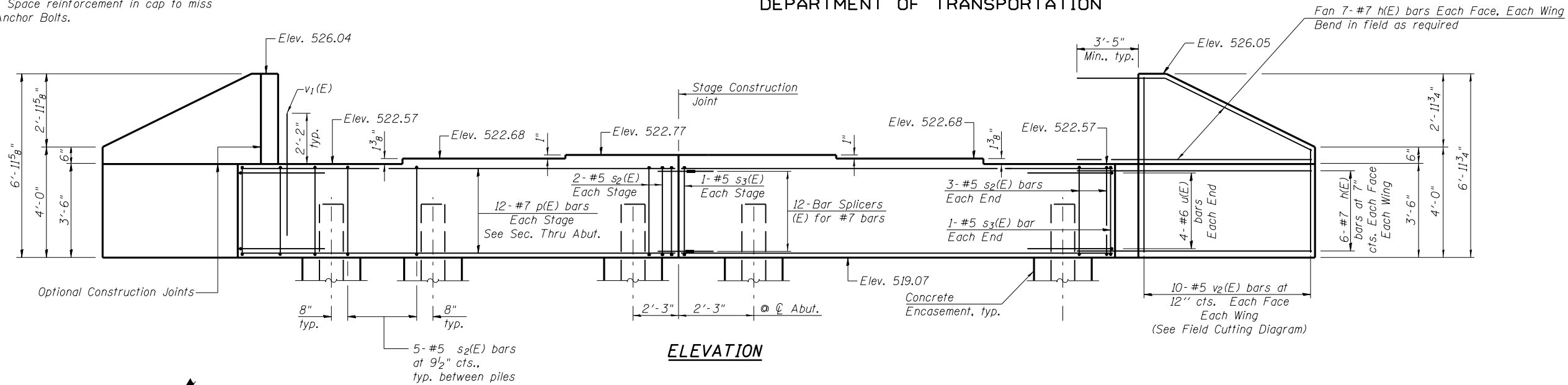
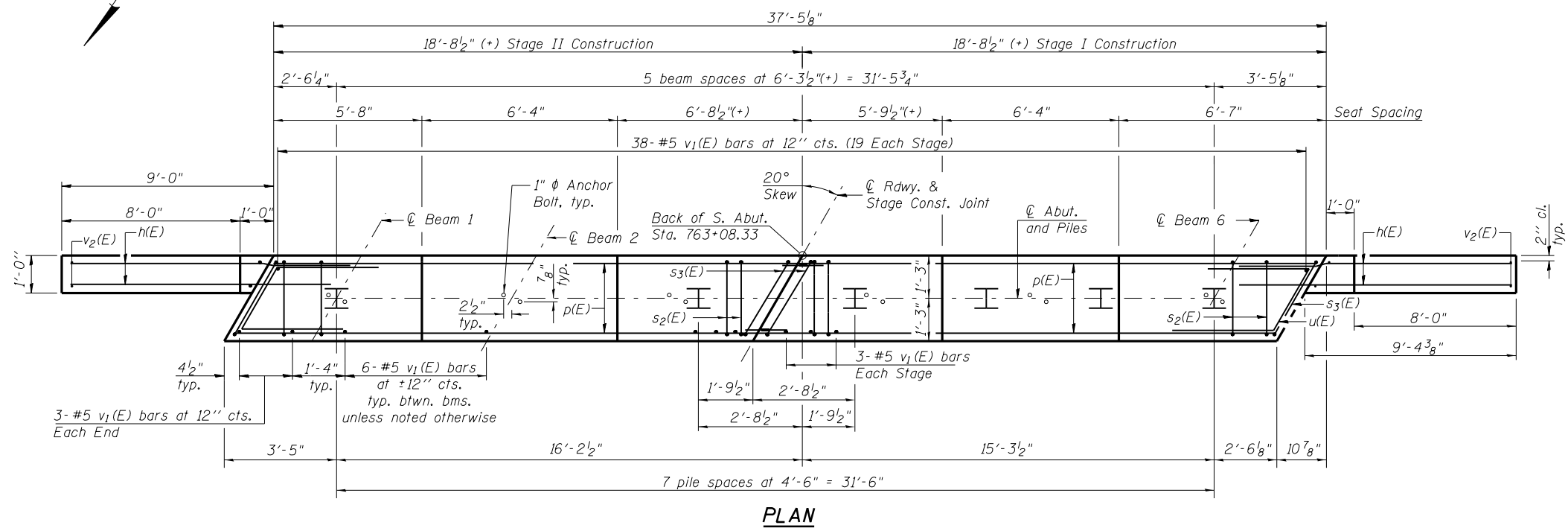


STATE OF ILLINOIS  
DEPARTMENT OF TRANSPORTATION

Notes:  
Pour steps monolithically with cap.  
Space reinforcement in cap to miss  
Anchor Bolts.



**SEC. THRU ABUT.**  
(Dimensions at Rt. L's)

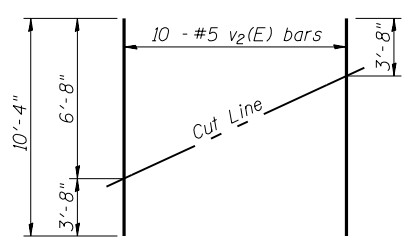


**PLAN**

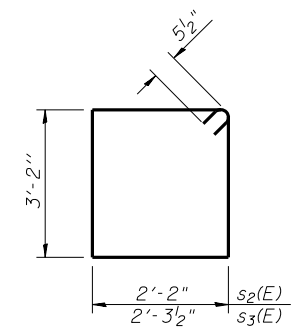
**BILL OF MATERIAL**  
(South Abutment)

Bar	No.	Size	Length	Shape
h(E)	52	#7	13'-4"	—
p(E)	24	#7	18'-4"	—
s2(E)	40	#5	11'-7"	□
s3(E)	4	#5	11'-10"	□
u(E)	8	#6	8'-11"	┘
v1(E)	74	#5	4'-4"	—
v2(E)	20	#5	10'-4"	—
Structure Excavation		Cu. Yd.	95	
Concrete Structures		Cu. Yd.	16.3	
Reinforcement Bars, Epoxy Coated		Pound	3510	
Furnishing Steel Piles HP12x63		Foot	392	
Test Pile Steel HP 12x63		Each	1	
Driving Piles		Foot	392	
Concrete Encasement		Cu. Yd.	2.8	

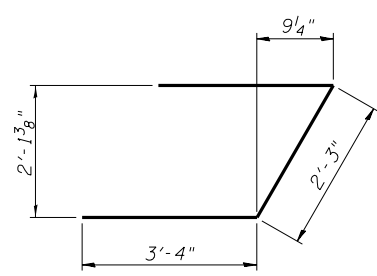
For details of Bar Splicers, see sheet 19 of 24.  
For details of piles and Concrete Encasement, see sheet 20 of 24.  
For drainage details, see sheet 2 of 24.



**FIELD CUTTING DIAGRAM**  
Order v2(E) full length. Cut as shown and use remainder of bars in opposite face.



**BARS s2(E) & s3(E)**



**BAR u(E)**

**PILE DATA**

Type: Steel HP12x63  
Nominal Required Bearing: 497 kips  
Factored Resistance Available: 248 kips  
Est. Length: 56 ft  
No. Production Piles: 7  
No. Test Piles: 1

**SOUTH ABUTMENT  
STRUCTURE NO. 059-0512**

LIN ENGINEERING, LTD. Consulting Engineers Chatham, Illinois	SHEET NO. 17	F.A.P. RTE. 608	SECTION 122B-2	COUNTY MACOUPIN	TOTAL SHEETS 53	SHEET NO. 35
	24 SHEETS	CONTRACT NO. 72B53			ILLINOIS FED. AID PROJECT	