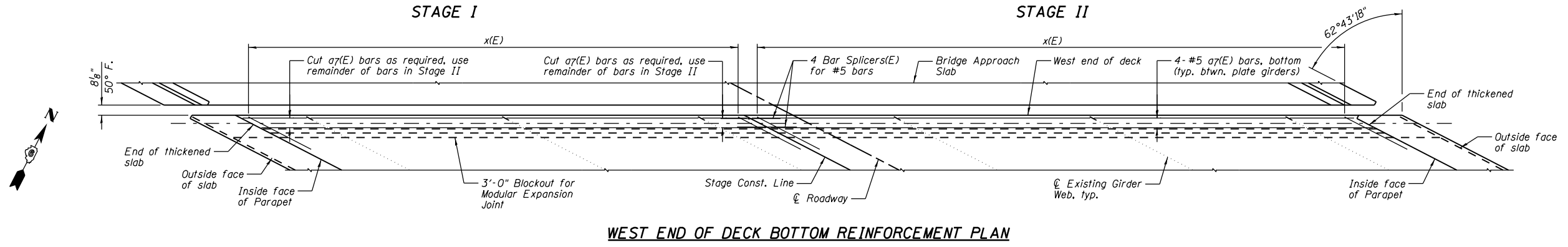
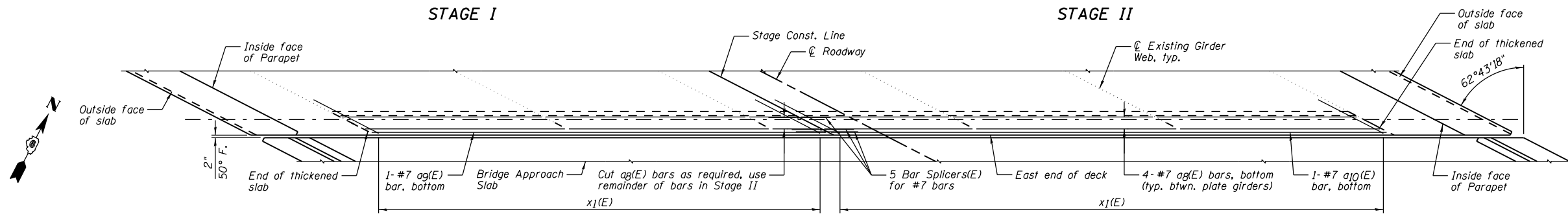


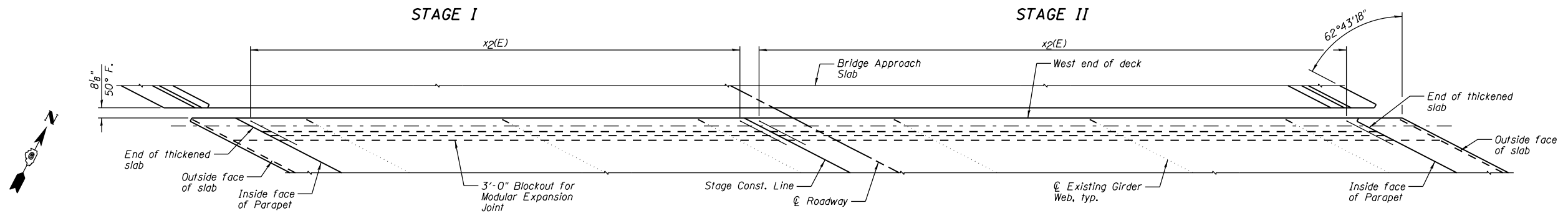
STATE OF ILLINOIS
DEPARTMENT OF TRANSPORTATION



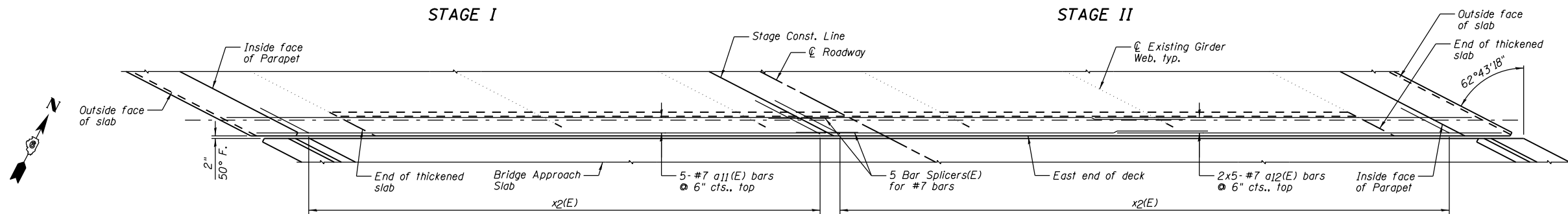
WEST END OF DECK BOTTOM REINFORCEMENT PLAN



EAST END OF DECK BOTTOM REINFORCEMENT PLAN



WEST END OF DECK TOP REINFORCEMENT PLAN



EAST END OF DECK TOP REINFORCEMENT PLAN

BAR LAP
#7 - 5'-10"

SUPERSTRUCTURE DECK
STRUCTURE NO. 084-0078

NOTE:

- 1.) See Sheets B11 & B12 for complete Deck Plan.
- 2.) See Sheet B14 for Deck Cross Section.
- 3.) See Sheet B15 for Section Thru Structure At Abutments.
- 4.) See Sheet B16 for Superstructure Details and Bill of Material.
- 5.) Bars indicated thus 2x5-#7 etc. indicates 2 lines of bars with 5 lengths per line.
- 6.) See Sheet B41 for Bar Splicer Details.

DESIGNED	JML
CHECKED	MSW
DRAWN	DJM
CHECKED	MGO/MSW

DATE 08/09/10

FARNSWORTH GROUP, INC.

CONSULTING ENGINEERS - 2709 MCGRAW DRIVE BLOOMINGTON, ILLINOIS 61704 (309) 663-8435 / (309) 663-1571 FAX

SHEET NO. B13 42 SHEETS	F.A.I. RTE.	SECTION	COUNTY	TOTAL SHEETS	SHEET NO.
	72	(84-3HB-5)BR	SANGAMON	84	49
SN 084-0078			CONTRACT NO. 72C70		
FED. ROAD DIST. NO. 6		ILLINOIS	FED. AID PROJECT		