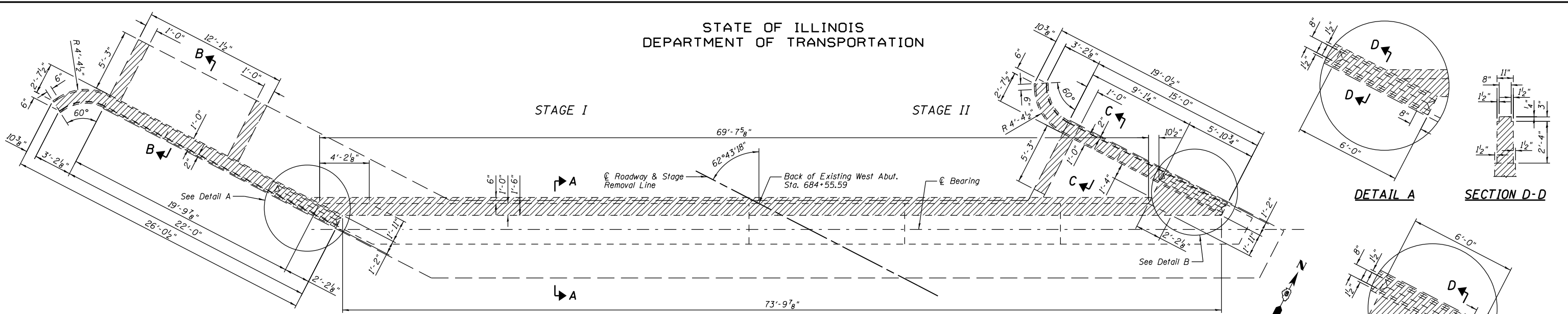
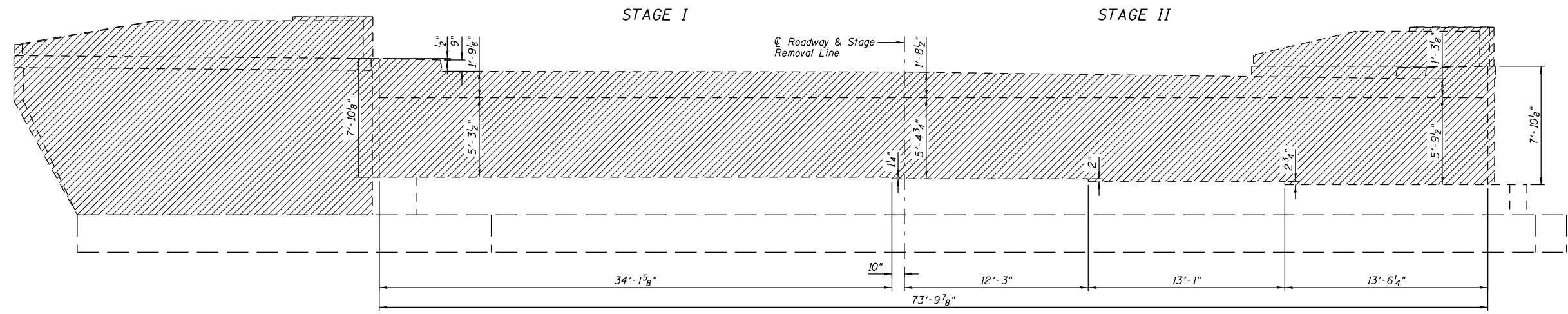


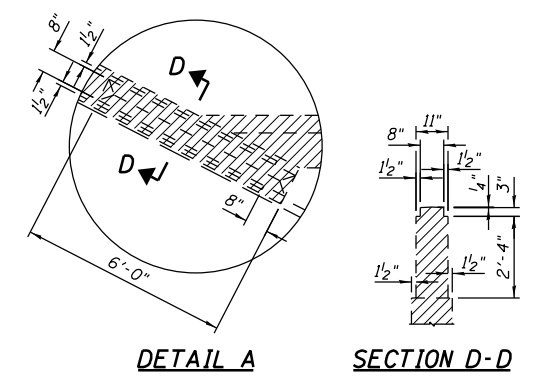
STATE OF ILLINOIS  
DEPARTMENT OF TRANSPORTATION



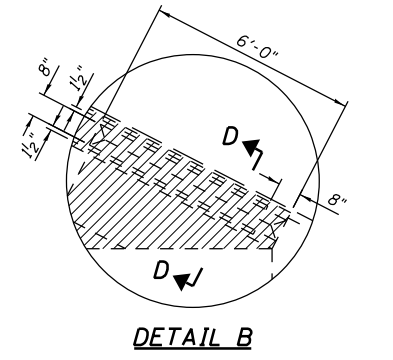
**PLAN**



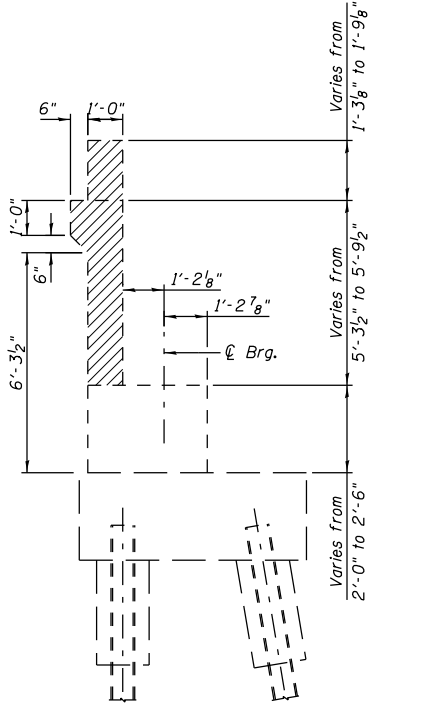
**ELEVATION**  
(Looking Northwest)



**DETAIL A**      **SECTION D-D**

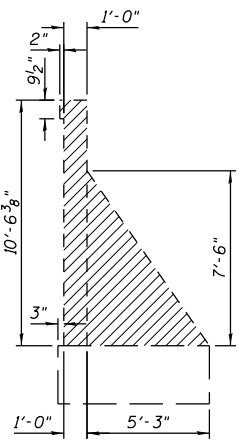


**DETAIL B**

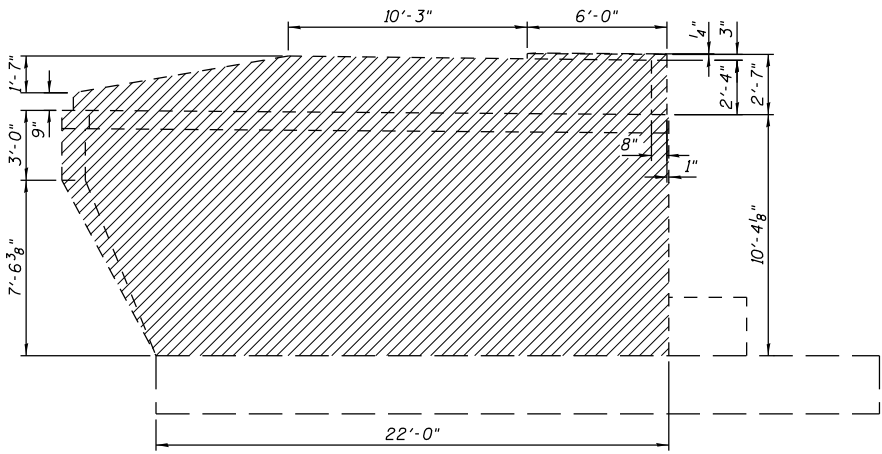


**SECTION A-A**  
(Rt. L's)

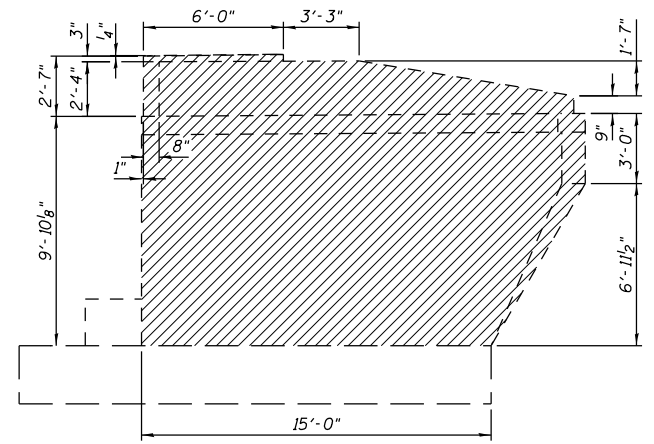
**NOTE:**  
Existing reinforcement shall be cut off flush.



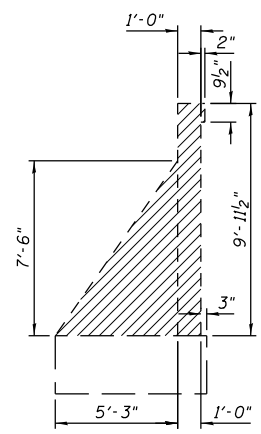
**SECTION B-B**



**SOUTHWEST WINGWALL ELEVATION**

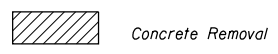


**NORTHWEST WINGWALL ELEVATION**



**SECTION C-C**

**LEGEND**



Concrete Removal

**BILL OF MATERIAL**

Item	Unit	Total
Concrete Removal	Cu. Yd.	37.6

DESIGNED	JML
CHECKED	MSW
DRAWN	DJM
CHECKED	MGO/MSW
DATE	08/09/10

SHEET NO. B29 42 SHEETS	F.A.I. RTE. 72	SECTION (84-3HB-5)BR SN 084-0078	COUNTY SANGAMON	TOTAL SHEETS 84	SHEET NO. 65
	FED. ROAD DIST. NO. 6		ILLINOIS FED. AID PROJECT CONTRACT NO. 72C70		