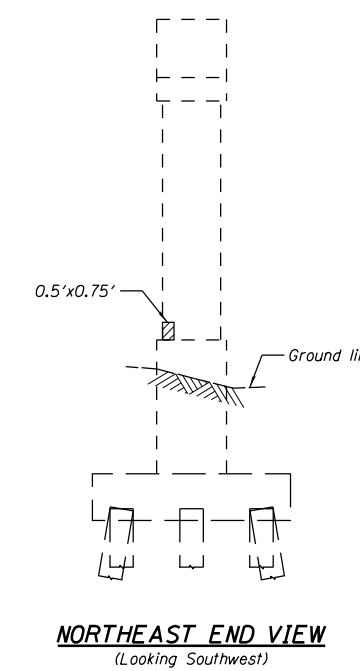
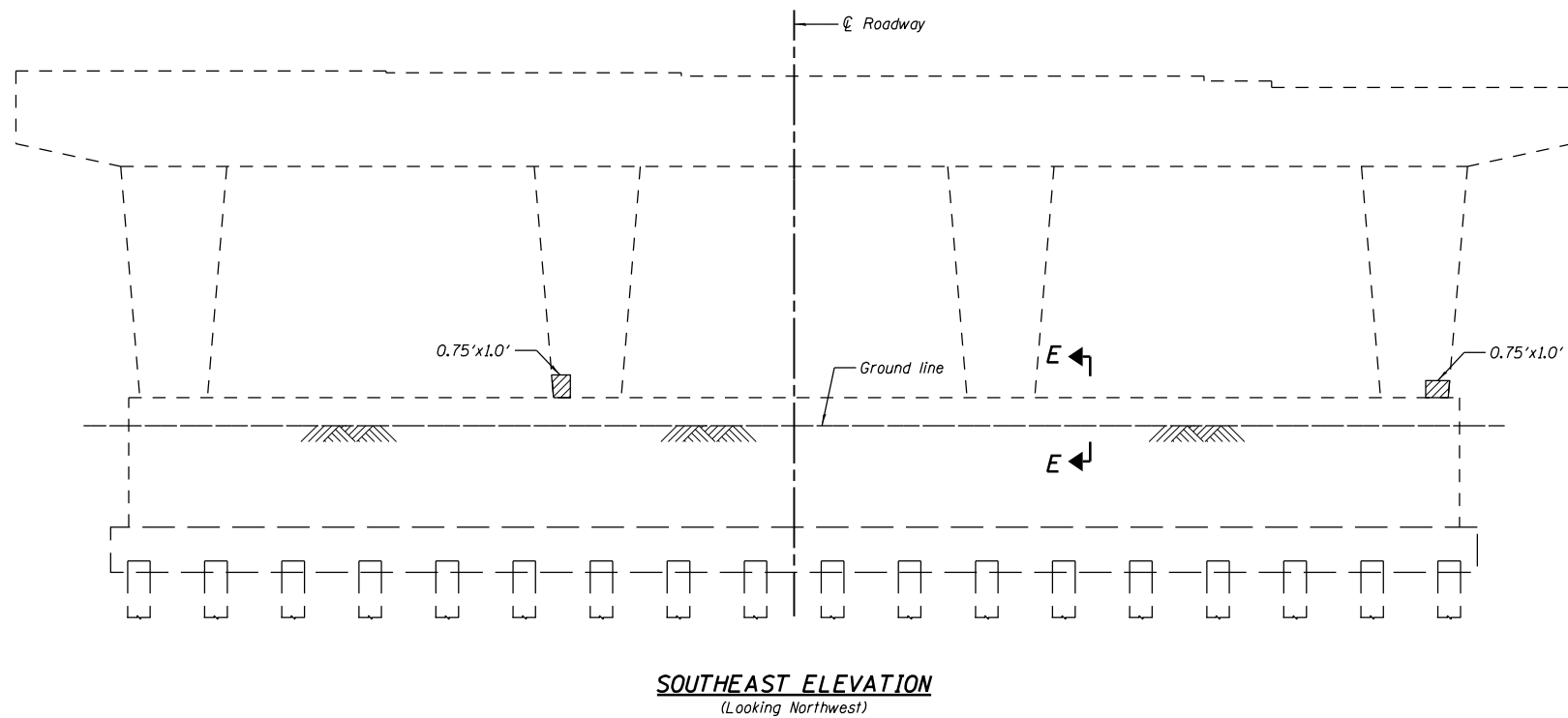
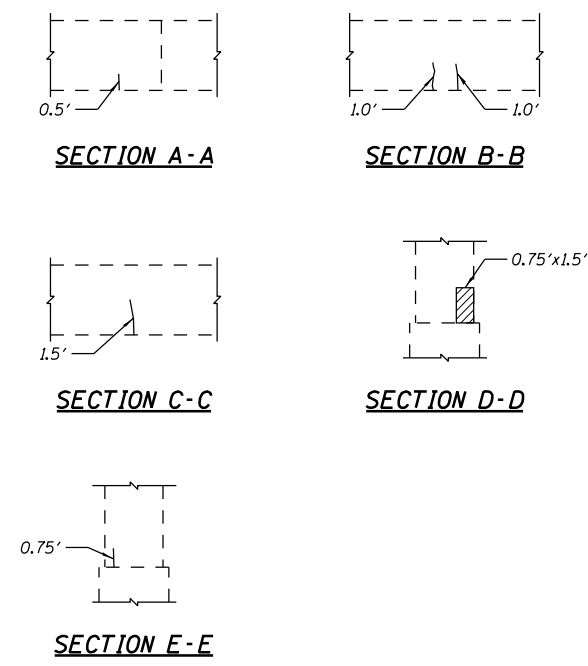
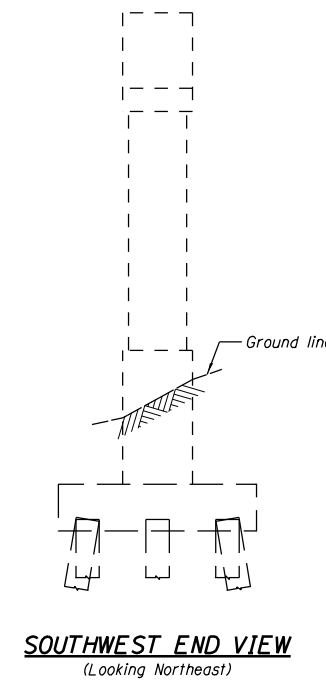
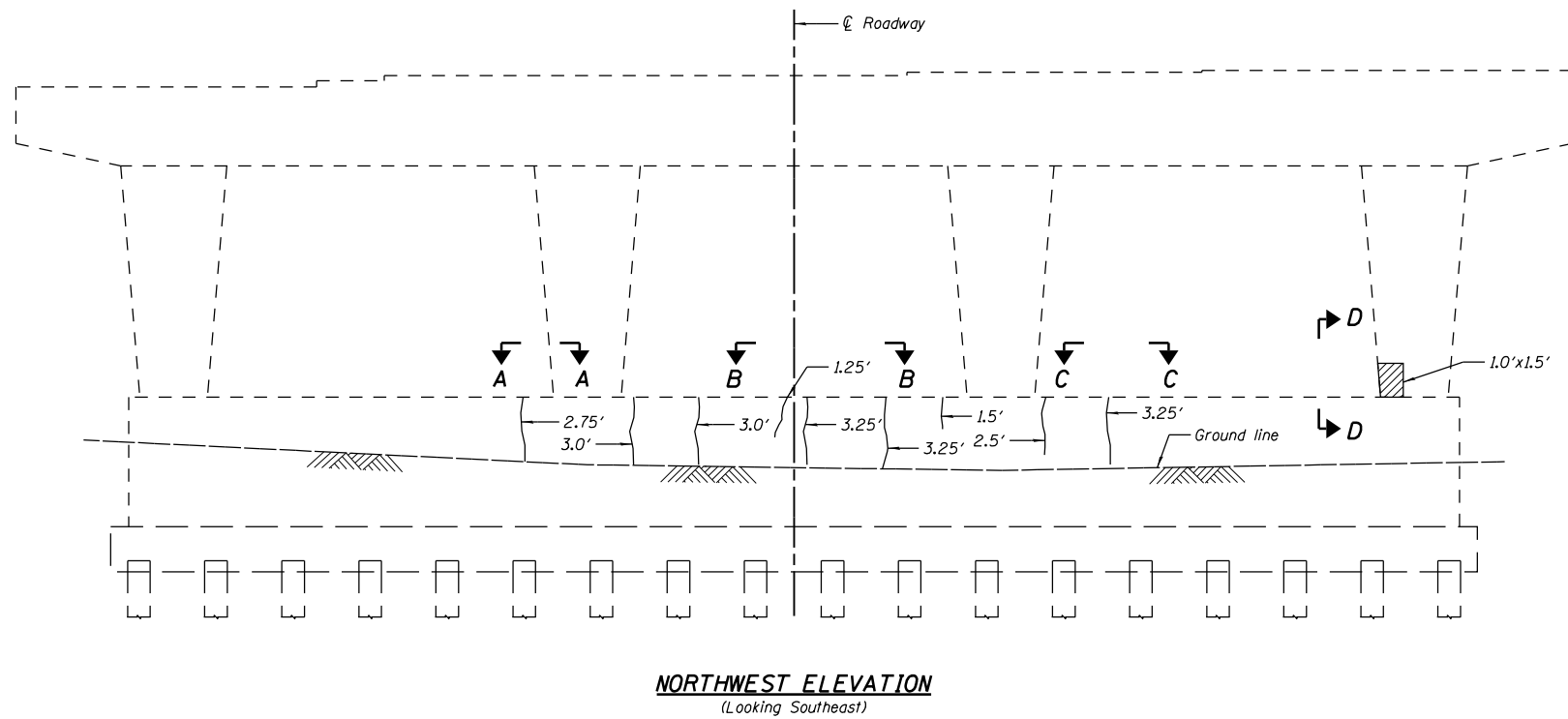


STATE OF ILLINOIS
DEPARTMENT OF TRANSPORTATION



BILL OF MATERIAL

Item	Unit	Total
Concrete Sealer	Sq. Ft.	5
Epoxy Crack Injection	Foot	29
Structural Repair of Concrete (Depth Equal to or Less Than 5 inches)	Sq. Ft.	5

LEGEND

	Structural Repair of Concrete (Depth Equal to or Less Than 5 inches)
	1.0' Epoxy Crack Injection

DESIGNED	JML
CHECKED	MSW
DRAWN	DJM
CHECKED	MGO/MSW
DATE	08/09/10

NOTES:
1.) Crack widths are 1/8" (+1/16") unless otherwise noted.
2.) Concrete sealer shall be applied to all new concrete.

SHEET NO. B37 42 SHEETS	F.A.I. RTE.	SECTION	COUNTY	TOTAL SHEETS	SHEET NO.
	72	(84-3HB-5)BR	SANGAMON	84	73
SN 084-0078			CONTRACT NO. 72C70		
FED. ROAD DIST. NO. 6 ILLINOIS FED. AID PROJECT					

PIER NO. 1 REPAIR
STRUCTURE NO. 084-0078