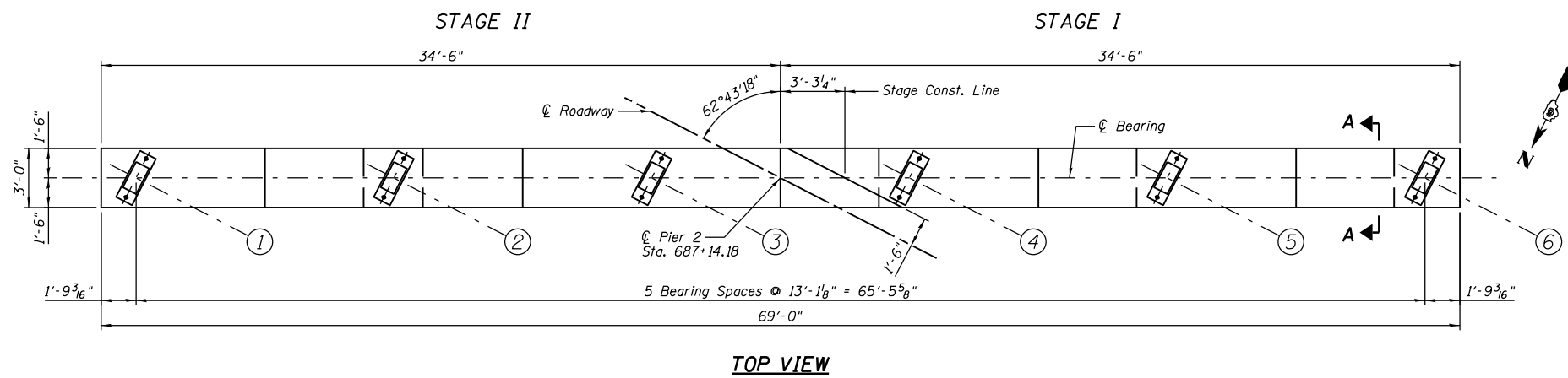
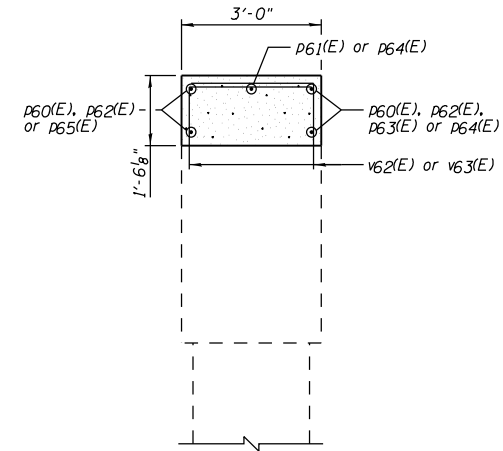


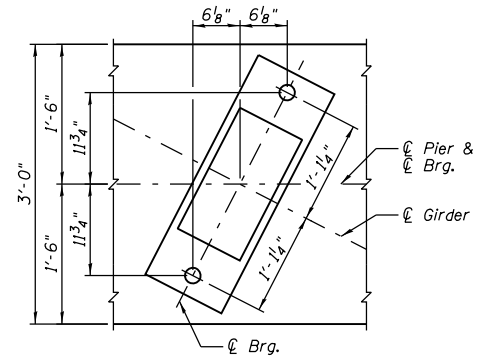
STATE OF ILLINOIS
DEPARTMENT OF TRANSPORTATION



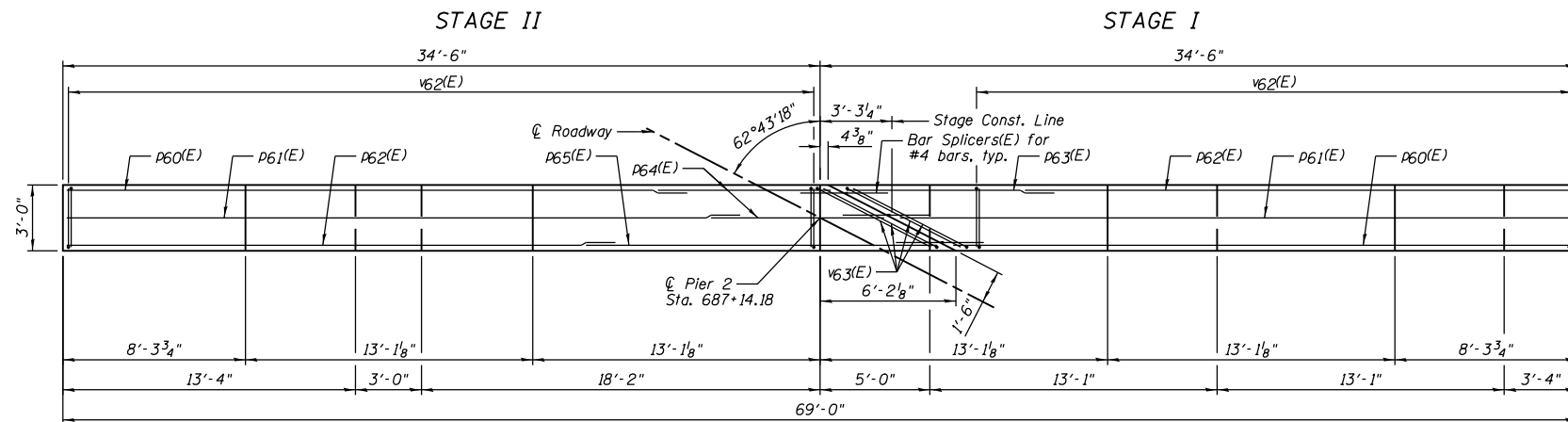
TOP VIEW



SECTION A-A

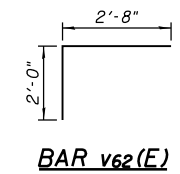


TYPICAL ANCHOR BOLT
PLACEMENT DETAIL

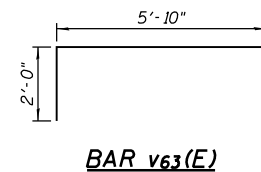


PLAN - BEARING SEAT

BAR LAP
#4 - 2'-1"



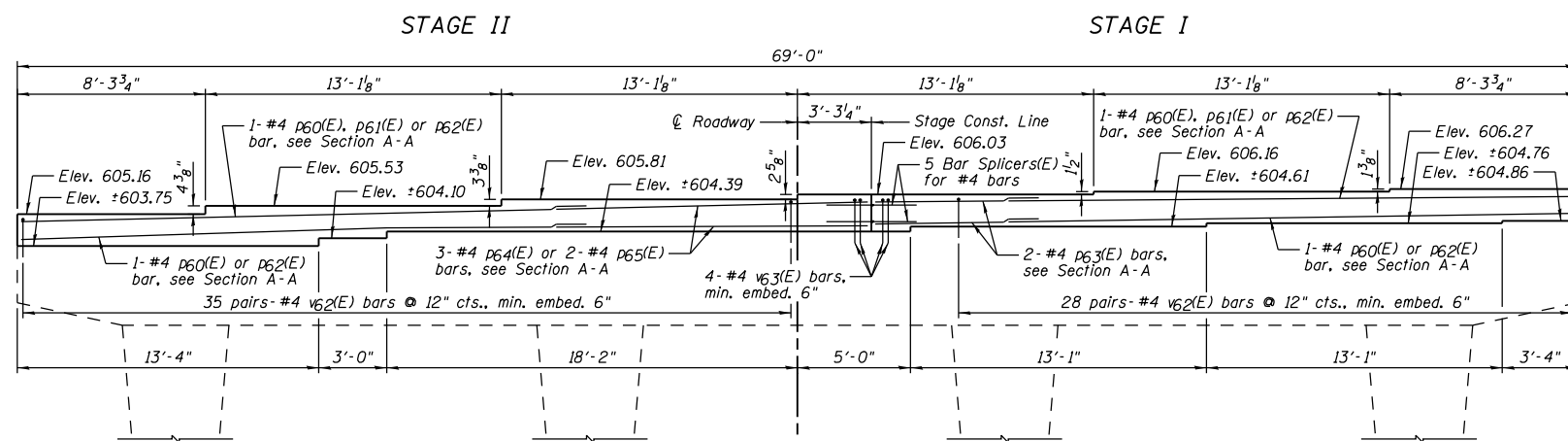
BAR v62(E)



BAR v63(E)

PIER NO. 2
BILL OF MATERIAL

Bar	No.	Size	Length	Shape	
P60(E)	4	#4	28'-3"	—	
P61(E)	2	#4	30'-8"	—	
P62(E)	4	#4	25'-0"	—	
P63(E)	2	#4	10'-3"	—	
P64(E)	3	#4	8'-8"	—	
P65(E)	2	#4	16'-9"	—	
v62(E)	126	#4	4'-8"	□	
v63(E)	4	#4	7'-10"	□	
Item				Unit	Quantity
Concrete Structures				Cu.-Yd.	11.2
Reinforcement Bars, Epoxy Coated				Pound	650
Bar Splicers				Each	5



ELEVATION
(Looking Southeast)

DESIGNED	JML
CHECKED	MSW
DRAWN	DJM
CHECKED	MGO/MSW

DATE 08/09/10

FARNSWORTH GROUP, INC.

NOTES:

- 1.) Drill & epoxy grout v62(E) & v63(E) bars in appropriate drilled holes according to Section 584 of the Standard Specifications. The type of epoxy grout shall be approved by the Engineer.
- 2.) Space reinforcement in cap to miss anchor bolts.
- 3.) See Sheet B41 for Bar Splicer Details.

PIER NO. 2
STRUCTURE NO. 084-0078

SHEET NO. B40	F.A.I. RTE.	SECTION	COUNTY	TOTAL SHEETS	SHEET NO.
	72	(84-3HB-5)BR	SANGAMON	84	76
42 SHEETS	SN 084-0078		CONTRACT NO. 72C70		
FED. ROAD DIST. NO. 6		ILLINOIS FED. AID PROJECT			