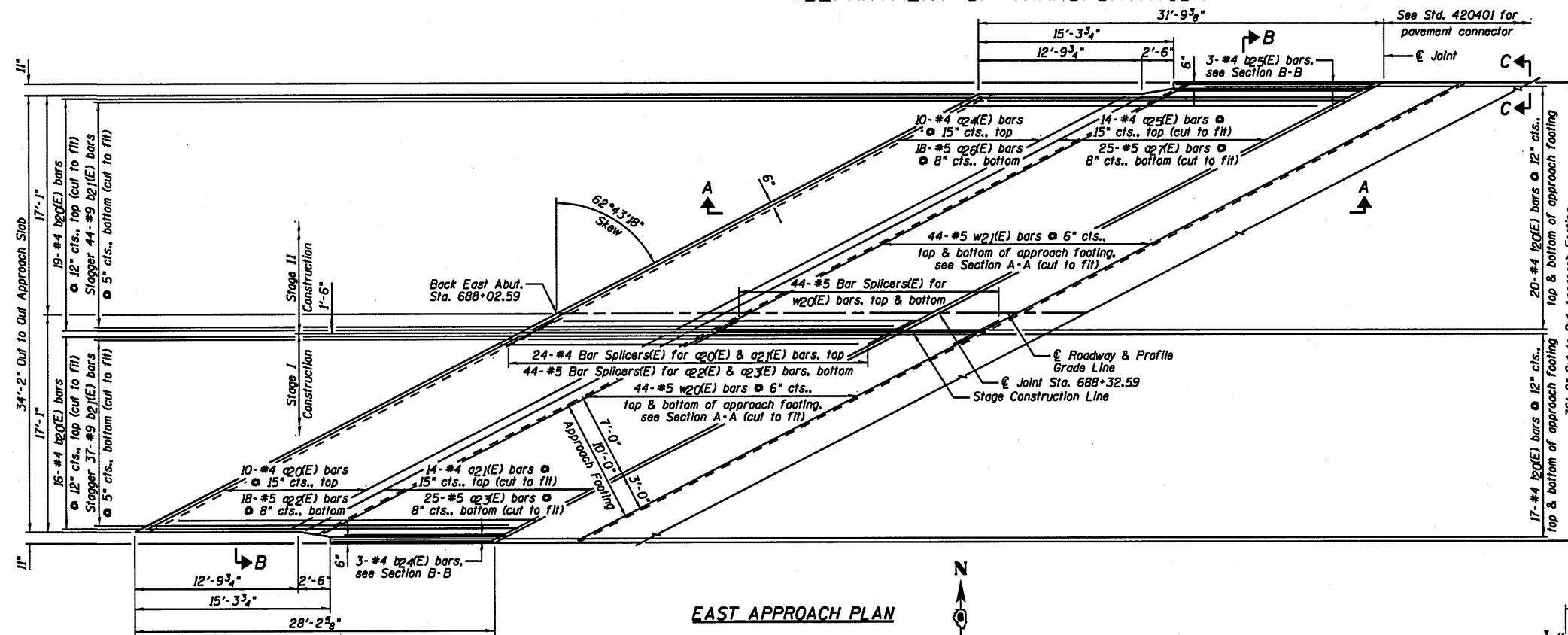


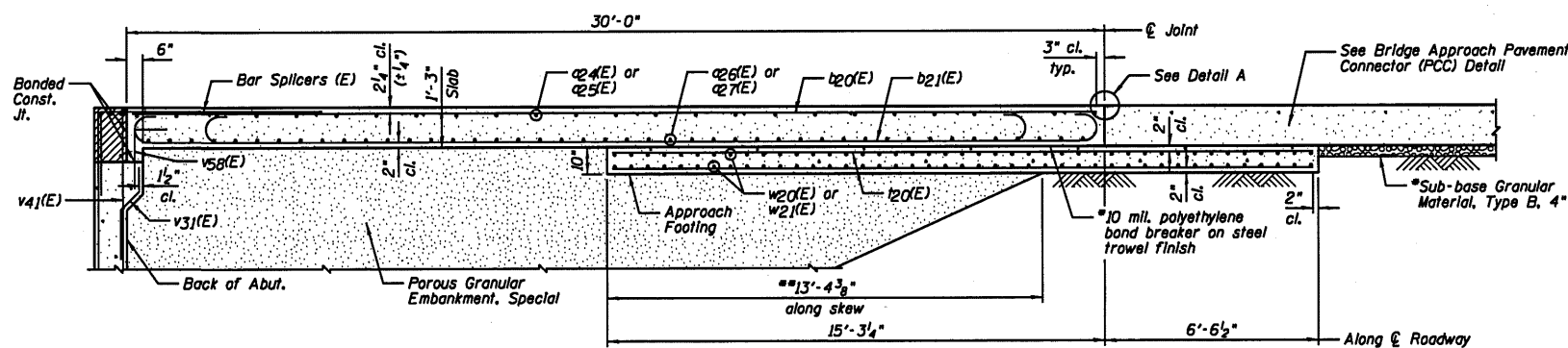
STATE OF ILLINOIS
DEPARTMENT OF TRANSPORTATION



EAST APPROACH PLAN

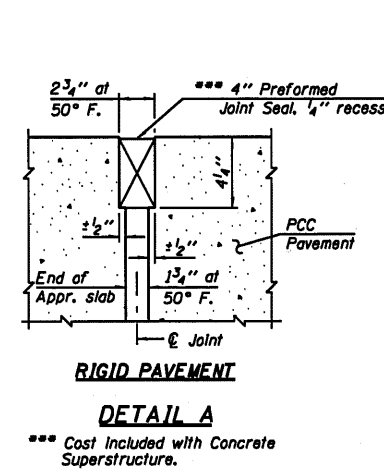
EAST APPROACH SLAB
BILL OF MATERIAL

Bar	No.	Size	Length	Shape
Ø2(E)	10	#4	33'-3"	
Ø2(E)	14	#4	35'-8"	
Ø2(E)	18	#5	33'-3"	
Ø2(E)	25	#5	35'-3"	
Ø2(E)	10	#4	39'-10"	
Ø2(E)	14	#4	42'-3"	
Ø2(E)	18	#5	39'-10"	
Ø2(E)	25	#5	41'-10"	
Ø2(E)	35	#4	28'-11"	
Ø2(E)	81	#9	29'-9"	
Ø2(E)	3	#4	12'-9"	
Ø2(E)	3	#4	15'-5"	
Ø2(E)	74	#4	21'-5"	
Ø2(E)	88	#5	35'-3"	
Ø2(E)	88	#5	39'-8"	
Item	Unit	Quantity		
Concrete Structures	Cu. Yd.	24.2		
Concrete Superstructure	Cu. Yd.	52.3		
Bridge Deck Grooving	Sq. Yd.	108		
Protective Coat	Sq. Yd.	116		
Reinforcement Bars, Epoxy Coated	Pound	21,460		
Bar Splicers	Each	155		



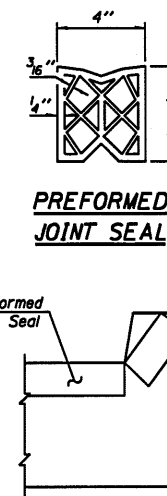
SECTION A-A

*Cost included with Bridge Approach Pavement Connector (PCC) Detail.
**Compact Porous Granular Embankment, Special in this area.
***Cost included with Porous Granular Embankment, Special.



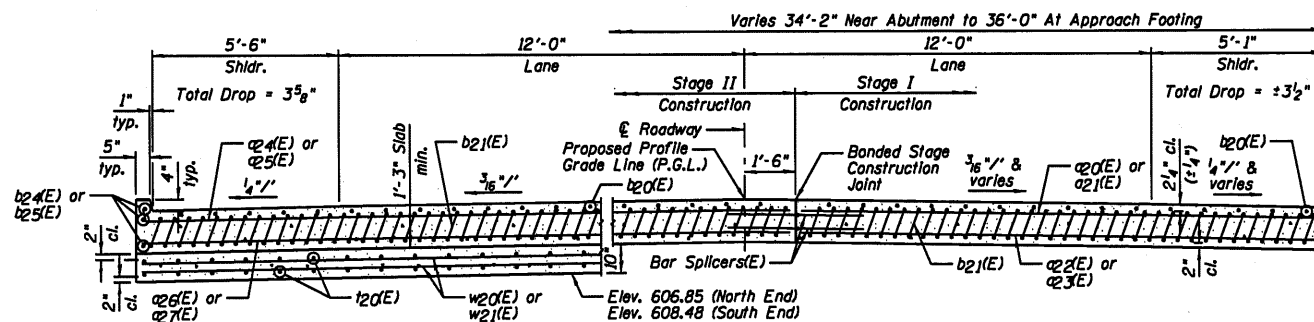
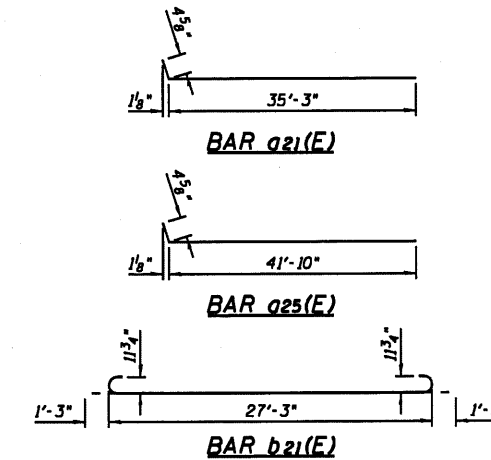
RIGID PAVEMENT
DETAIL A

*** Cost included with Concrete Superstructure.



VIEW C-C

Angle Preformed Joint Seal at 45° at curbs when req'd for drainage.



AT APPROACH FOOTING

SECTION B-B

NEAR ABUTMENT

NOTES:

- Ø2(E) thru Ø27(E), w2(E) and w21(E) bar spacings measured along \perp Roadway.
- Fit #9 b2(E) bars as required to maintain clearance.
- Approach Slab shall be paid for as Concrete Superstructure.
- Approach Footing concrete shall be paid for as Concrete Structures.
- Reinforcement shall be paid for as Reinforcement Bars, Epoxy Coated.
- For v31(E) & w41(E) bar details, see Sheet B36.
- The Approach Footing maximum applied service bearing pressure (Q_{max}) = 2.0 ksf.
- See Sheet B41 for Bar Splicer Details.
- Cost of excavation for Approach Footing included with Concrete Structures.
- For Porous Granular Embankment, Special and drainage treatment details, see Sheet B2.
- Hatched area to be poured after superstructure false work has been removed.

EAST BRIDGE APPROACH
SLAB DETAILS
STRUCTURE NO. 084-0078

DESIGNED JML
CHECKED MSW
DRAWN DJM
CHECKED MGO/MSW

DATE 08/09/10

FARNSWORTH GROUP, INC.

CONSULTING ENGINEERS - 2709 MCGRAW DRIVE BLOOMINGTON, ILLINOIS 61704 (309) 663-8435 / (309) 663-1571 FAX

SHEET NO. B18 42 SHEETS	F.A.I. RTE.	SECTION	COUNTY	TOTAL SHEETS	SHEET NO.
	72	(84-3HB-5)BR	SANGAMON	84	54
		SN 084-0078	CONTRACT NO. 72C70		
		FED. ROAD DIST. NO. 6	ILLINOIS	FED. AID PROJECT	

24-8181