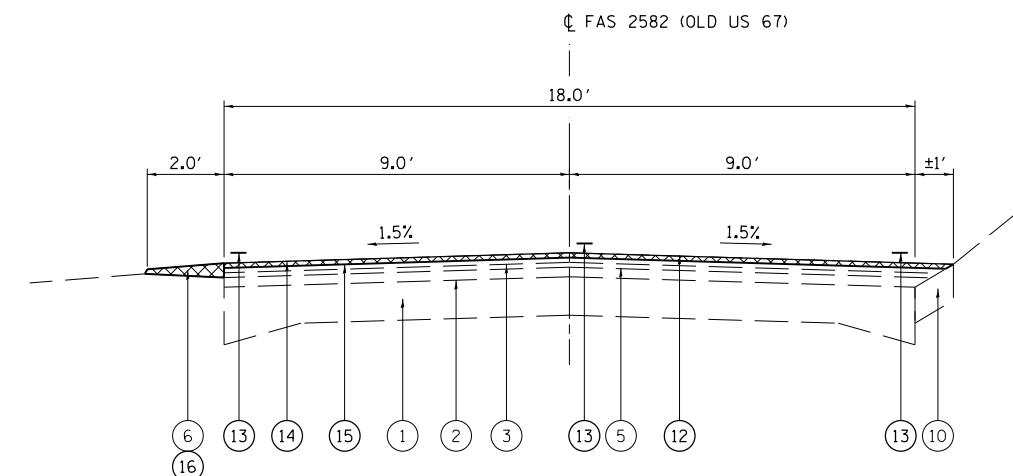
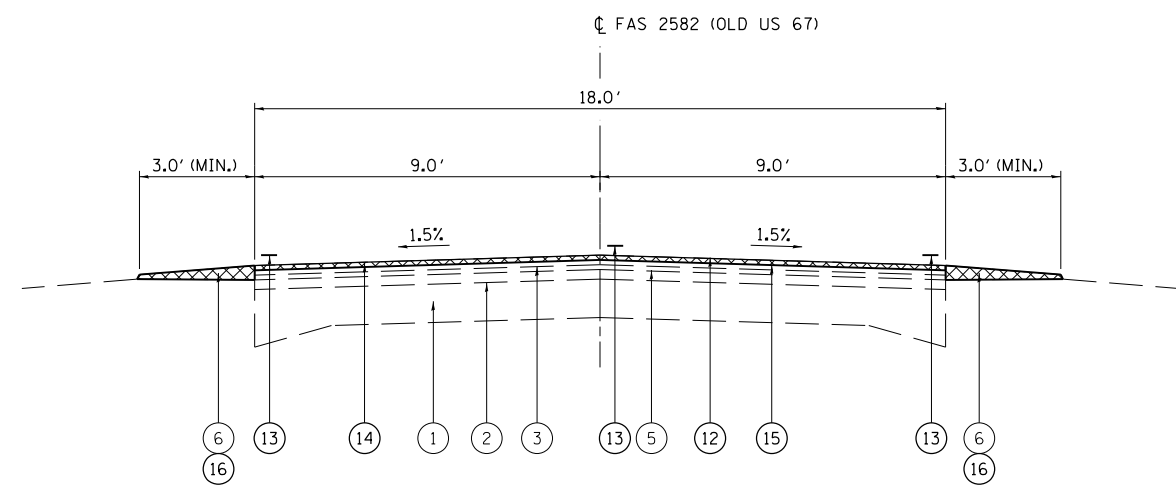


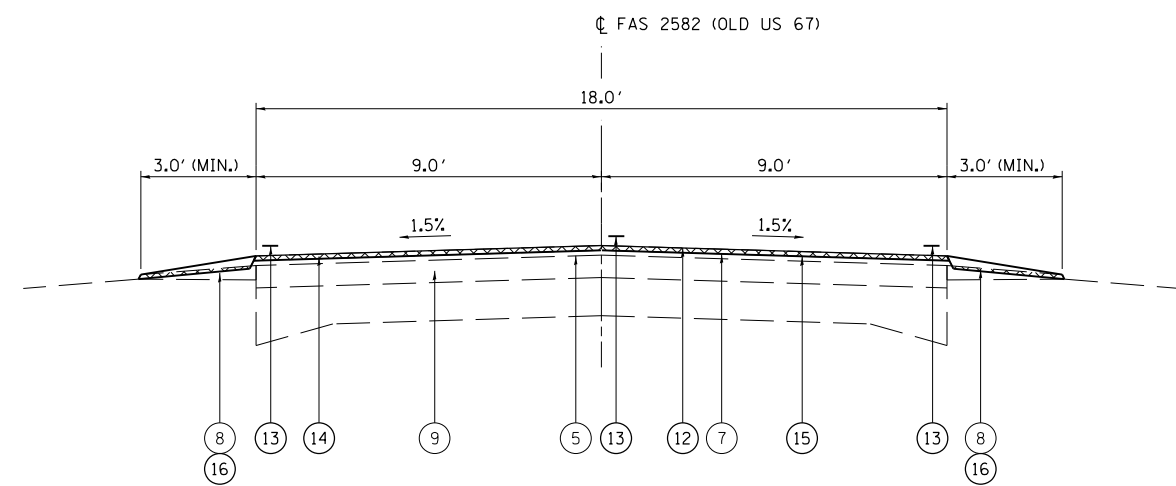
STA. 670+00.00 TO 664+84.00



STA. 638+00.00 TO 565+50.00



STA. 664+84.00 TO 638+00.00



STA. 565+50.00 TO 503+00.00  
 STA. 490+00.00 TO 376+50.00  
 STA. 312+00.00 TO 238+50.00

**LEGEND**

- ① EXIST. PCC PAVEMENT (9-6-9)
- ② EXIST. HMA SURFACE (3")
- ③ EXIST. HMA SURFACE COURSE (1 1/2")
- ④ EXIST. HMA PARKING LANES
- ⑤ EXIST. LEVELING BINDER (3/4")
- ⑥ EXIST. AGGREGATE SHOULDERS, TY B
- ⑦ EXIST. HMA SURFACE TREATMENT (PREVENTATIVE MAINTENANCE)
- ⑧ EXIST. SHOULDERS (TYPE, WIDTH & THICKNESS VARIES)
- ⑨ EXIST. PAVEMENT (TYPE & THICKNESS VARIES)  
(NOTE: MIN. 3 1/2" HMA SURFACE EXISTS)
- ⑩ EXIST. CONCRETE GUTTER, TY A
- ⑪ EXIST. CONCRETE PAVED DITCH
- ⑫ PROPOSED CAPE SEAL
- ⑬ PROPOSED PAVEMENT MARKING, LINE (5")
- ⑭ PROPOSED HMA SURFACE REMOVAL, (VARIABLE DEPTH)
- ⑮ PROPOSED LEVELING BINDER, (3/4")
- ⑯ PROPOSED AGGREGATE SHOULDERS, TY B

|                                       |                              |            |           |
|---------------------------------------|------------------------------|------------|-----------|
| FILE NAME =                           | USER NAME = laughlinc1       | DESIGNED - | REVISED - |
| et:\pwork\pwork\laughlinc1\0221840\06 | 2063-shr-typical.dgn         | DRAWN -    | REVISED - |
|                                       | PLOT SCALE = 100.0000' / in. | CHECKED -  | REVISED - |
|                                       | PLOT DATE = 8/9/2010         | DATE -     | REVISED - |

**STATE OF ILLINOIS  
 DEPARTMENT OF TRANSPORTATION**

**TYPICAL SECTIONS**

SCALE: SHEET NO. 1 OF 3 SHEETS STA. TO STA.

| F.A.S. RTE.        | SECTION            | COUNTY   | TOTAL SHEETS              | SHEET NO. |
|--------------------|--------------------|----------|---------------------------|-----------|
| 2582               | (44,46)I & (45)I-1 | SCHUYLER | 25                        | 6         |
| CONTRACT NO. 72D63 |                    |          | ILLINOIS FED. AID PROJECT |           |