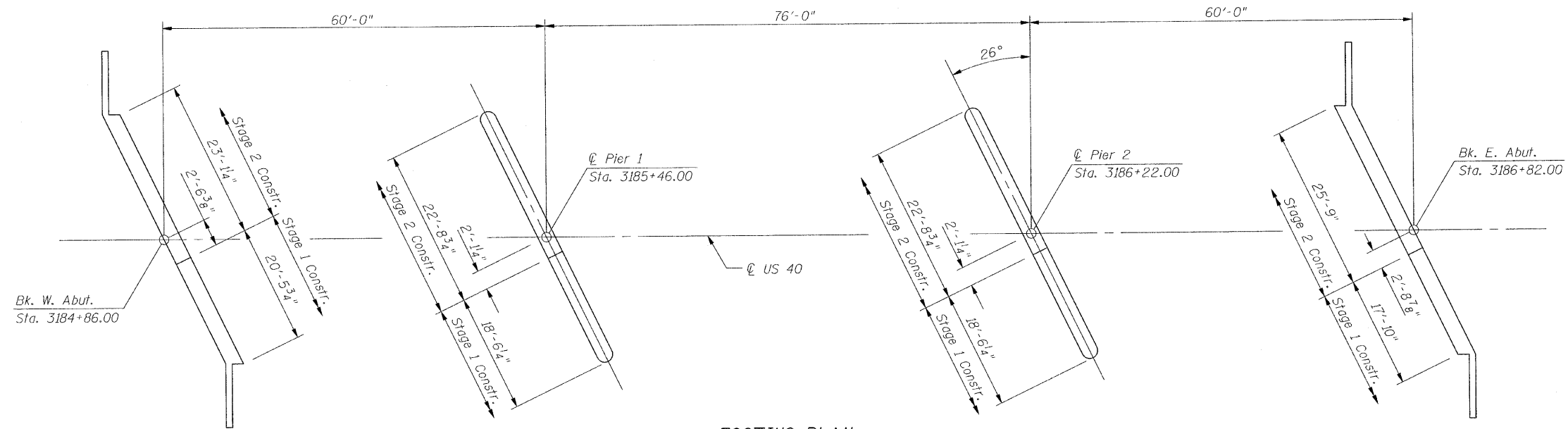
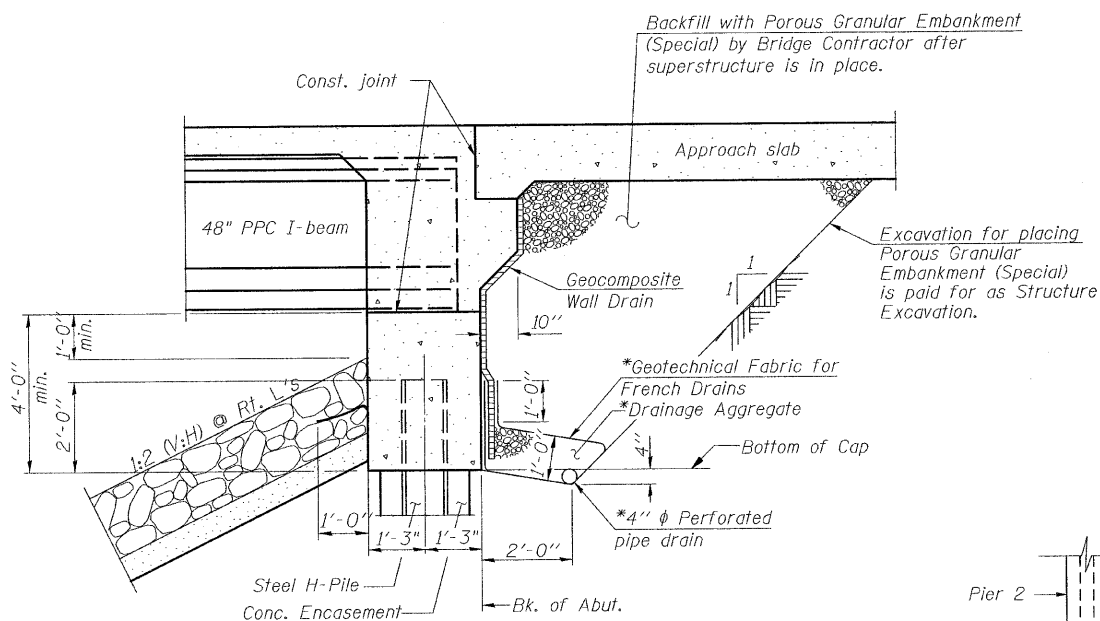


STATE OF ILLINOIS
DEPARTMENT OF TRANSPORTATION



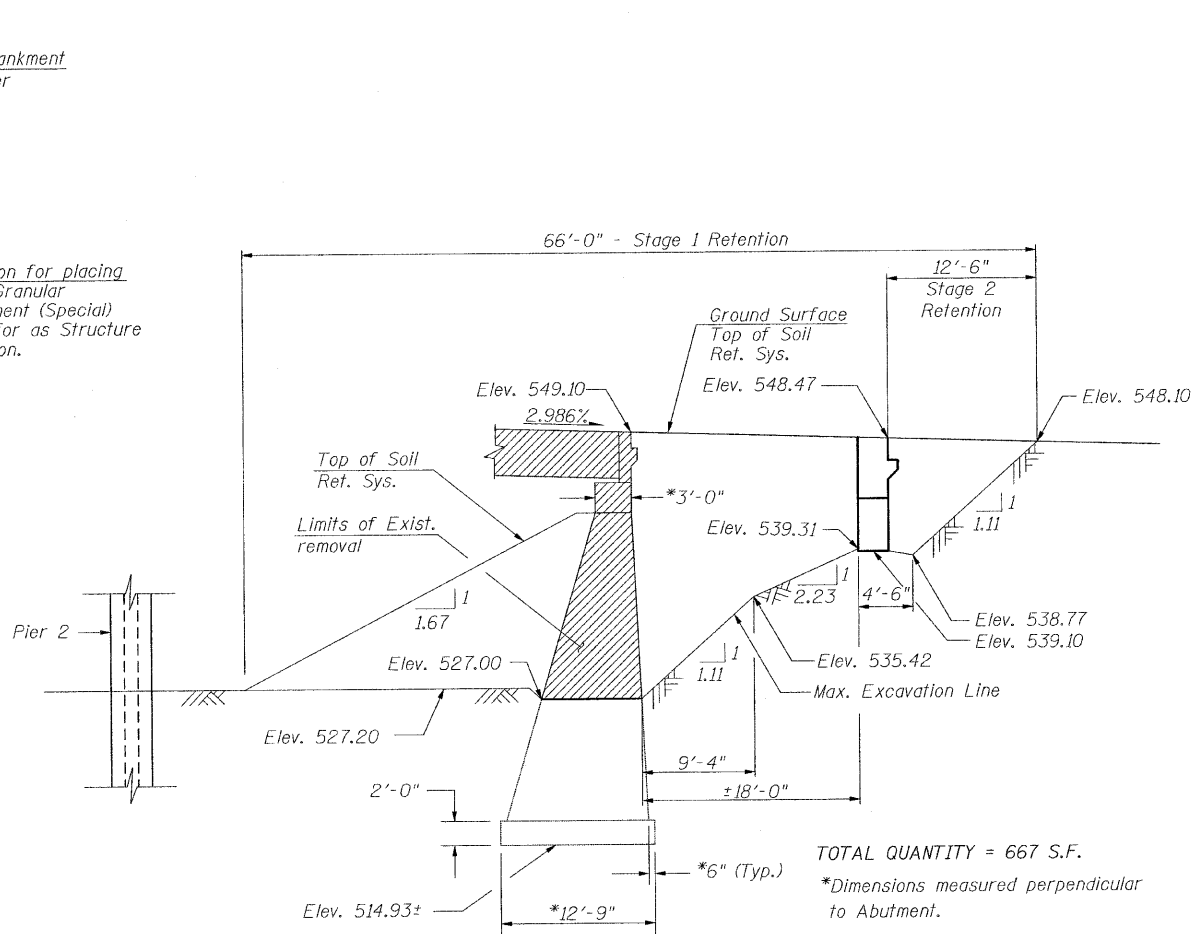
FOOTING PLAN



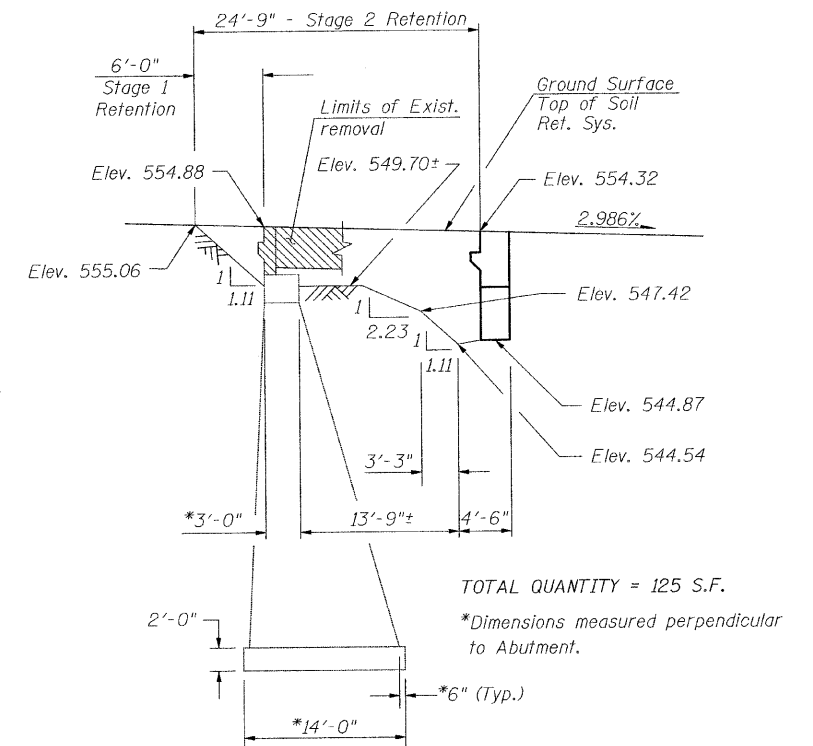
SECTION THRU INTEGRAL ABUTMENT
(Horiz. dim. @ Rt. L's)

*Included in the cost of Pipe Underdrains for Structures.

Note:
All drainage system components shall extend to 2'-0" from the end of each wingwall except an outlet pipe shall extend until intersecting with the side slopes. The pipes shall drain into concrete headwalls. (See Article 601.05 of the Standard Specifications and Highway Standard 60110).



TEMPORARY SOIL RETENTION SYSTEM
(EAST ABUTMENT)



TEMPORARY SOIL RETENTION SYSTEM
(WEST ABUTMENT)

GENERAL DATA &
FOOTING LAYOUT
STRUCTURE NO. 012-0073

DESIGNED	SCD
CHECKED	DRB
DRAWN	THW
CHECKED	SCD



IE CONSULTANTS, INC.
6420 SOUTH SIXTH STREET
SPRINGFIELD, ILLINOIS 62712
TEL. (217) 529-8027
FAX (217) 529-4543
IESPRINGFIELD@IE-CONSULTANTS.COM
WWW.IE-CONSULTANTS.COM

SHEET NO.	F.A.S. RTE.	SECTION	COUNTY	TOTAL SHEETS	SHEET NO.
3 OF 29 SHEETS	1707	(BX-B)B-1	CLARK		12
			CONTRACT NO. 74169		
FED. ROAD DIST. NO. - ILLINOIS FED. AID PROJECT					