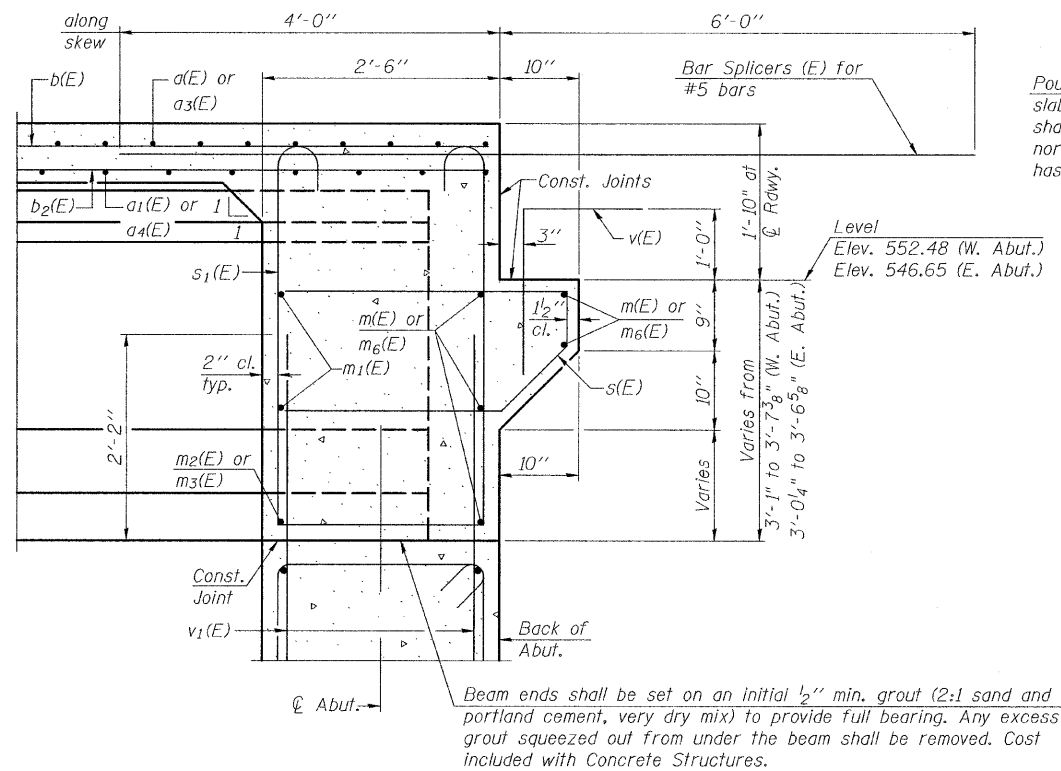
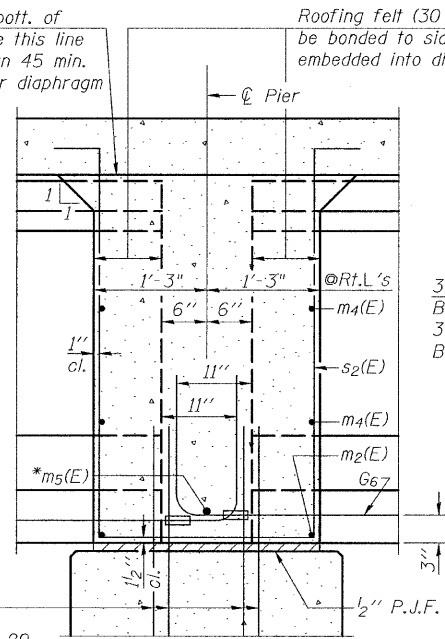


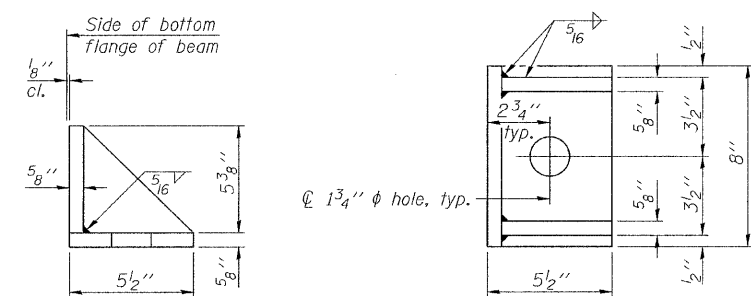
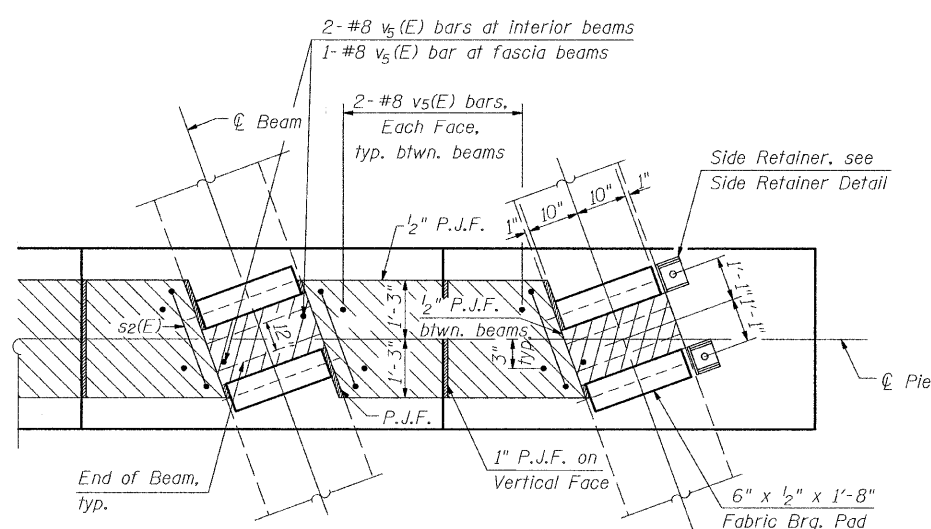
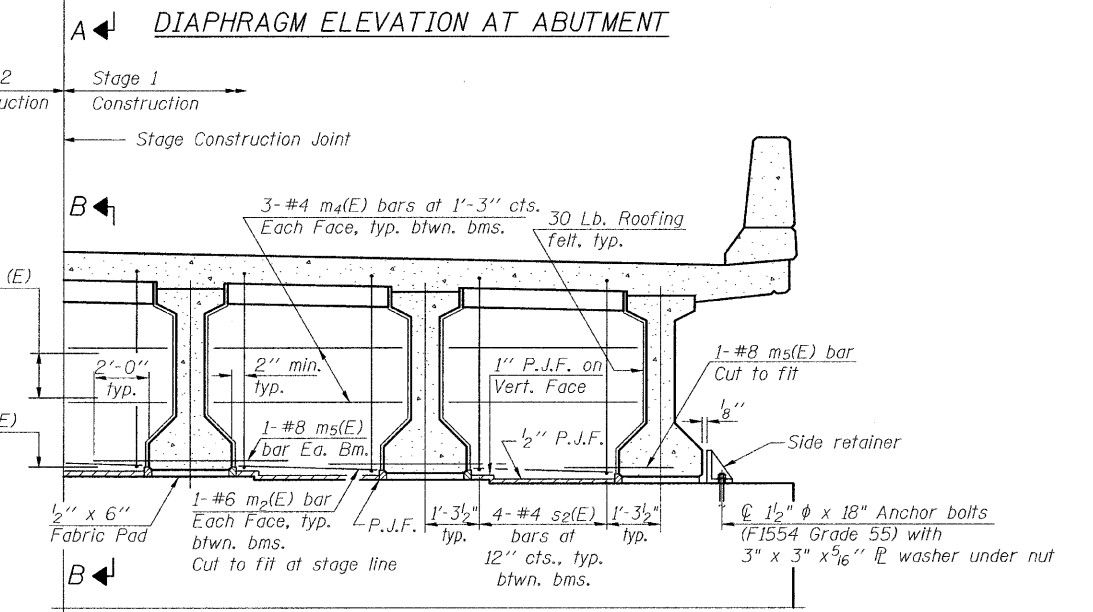
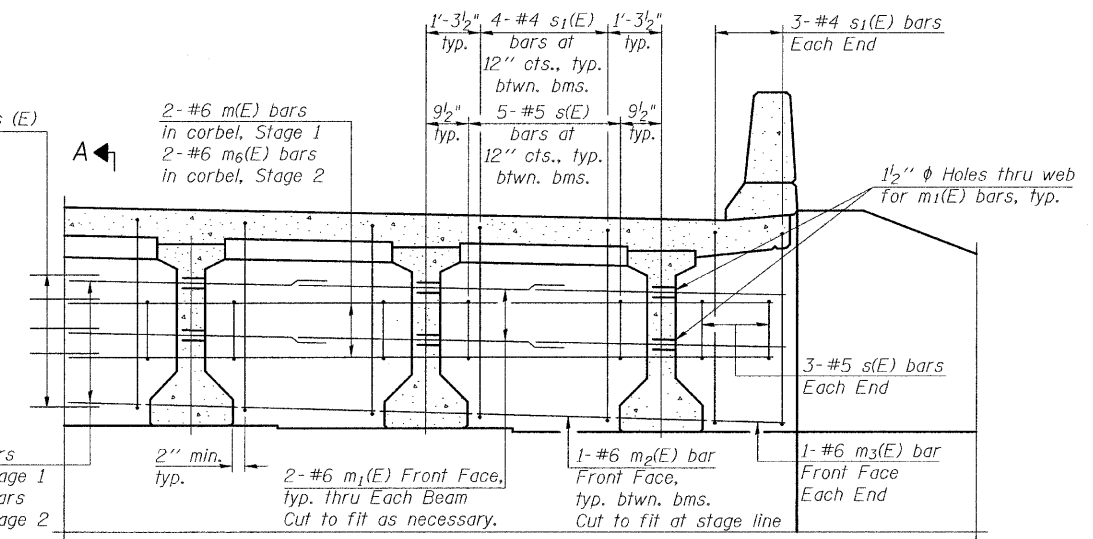
STATE OF ILLINOIS
DEPARTMENT OF TRANSPORTATION



Pour diaphragm flush with bott. of slab. Concrete in slab above this line shall be placed not less than 45 min. nor more than 90 min. after diaphragm has been poured.



*Tightly fasten the #8 bars together with No. 9 wire ties.



Notes:
Reinforcement bars in diaphragm are billed with superstructure on sheet 12 of 29.
Concrete in diaphragm is included with Concrete Superstructure on sheet 12 of 29.
For details of bars s(E), s1(E) and s2(E) see sheet 12 of 29.
The s(E), s1(E) and s2(E) bars shall be placed parallel to the beams. Spacing for these bars shall be at right angles to the beams.
Cost of 30 Lb. roofing felt is included with Concrete Superstructure.
The side retainer shall be galvanized after shop fabrication according to AASHTO M 111.
Anchor bolt assemblies shall be galvanized according to Article 1006.09 of the Standard Specifications.
Anchor bolts shall be ASTM F1554 all-thread (or an Engineer-approved alternate material) of the grade(s) and diameter(s) specified. ASTM A307 Grade C anchor bolts may be used in lieu of ASTM F1554 Grade 36 (Fy=36ksi). The corresponding specified grade of AASHTO M314 anchor bolts may be used in lieu of ASTM F1554.
Anchor bolts for side retainers may be either cast in place or installed in holes drilled after the supporting member is in place and prior to pouring the deck.
Drilled and set anchor bolts shall be installed according to Article 521.06 of the Standard Specifications.
Cost of side retainer and anchor bolts shall be included with Concrete Structures.

MIN. BAR LAP
#6 bar = 3'-4"

DESIGNED	SCD
CHECKED	DRB
DRAWN	THW
CHECKED	SCD

ie consultants
IE CONSULTANTS, INC
6420 SOUTH SIXTH STREET
SPRINGFIELD, ILLINOIS 62712
TEL. (217) 529-8027
FAX (217) 529-4543
IESPRINGFIELD@IE-CONSULTANTS.COM
WWW.IE-CONSULTANTS.COM

PI-2DDI PI-2DI 11-1-09

DIAPHRAGM DETAILS
STRUCTURE NO. 012-0073

SHEET NO. 13 OF 29 SHEETS	F.A.S. RTE.	SECTION	COUNTY	TOTAL SHEETS	SHEET NO.
	1707	(BX-B)B-1	CLARK	44	22
CONTRACT NO. 74169					
FED. ROAD DIST. NO. ILLINOIS FED. AID PROJECT					